



SERIES TUF | ULTRASONIC ENERGY METER



FEATURES/BENEFITS

- Lower maintenance costs with local parameter display and no moving parts
- Seamless data transfer with serial communication output standard
- Eliminate the need for multiple units with a flow and temperature monitor in one

APPLICATIONS

- Heat metering
- Utilities billing
- Tenant billing
- Monitoring of water heating or cooling: radiators, fan coils

DESCRIPTION

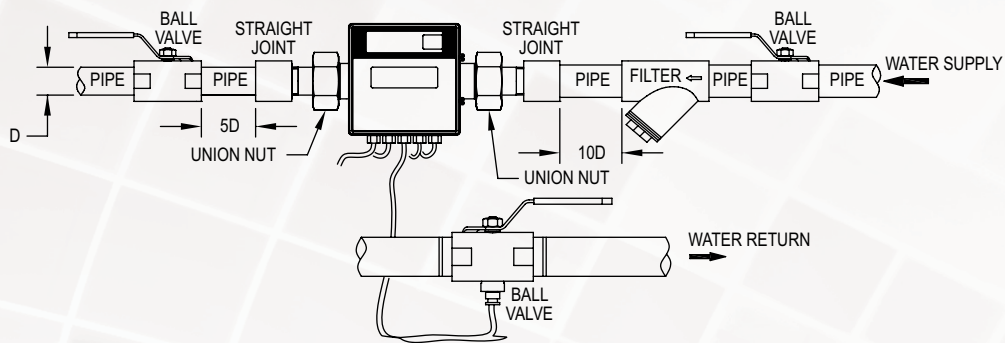
The **Series TUF Ultrasonic Energy Meter** is a highly accurate and stable energy meter. It utilizes ultrasonic technology to measure heating and cooling energy consumption. The Series TUF incorporates a flowmeter, temperature meter, and a calculator into a single, compact unit. The size and lack of moving parts means the Series TUF requires minimal maintenance. The 8-digit LED display enables easy reading of the meter's recorded values; including temperature, flow-rate, energy consumption, etc. These features make it ideal for installation on chillers, boilers, and individual apartment piping. With the optional couplings it is capable of being used with either NPT or BSPT pipe sizes. It is the perfect meter for tenant billing applications.

SPECIFICATIONS

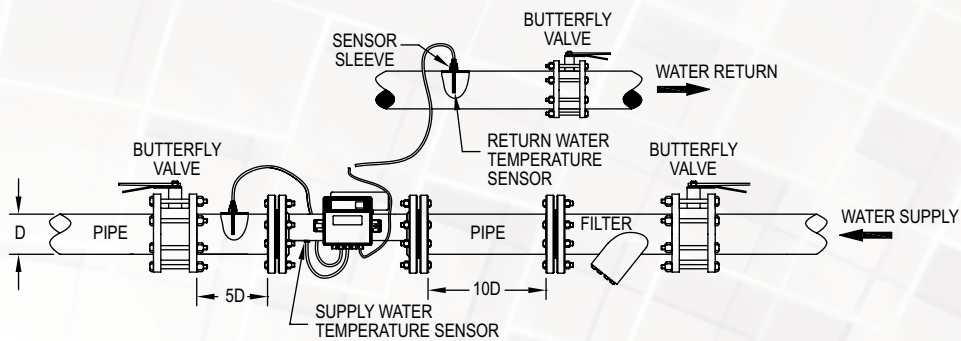
Service	Clean, compatible liquids.
Wetted Materials	Brass and 316L SS.
Range	See chart.
Display	8-digit LED.
Accuracy	BTU: EN1434/CJ128 Class 2; Flow: $\pm(2+(0.02 Qp/Q))\%$; Temperature: $\pm 0.1^{\circ}\text{C}$.
Power Requirements	24 VAC/VDC (model dependent)** or 3.6 V ER26500 lithium metal battery, user supplied and installed, battery acts as back-up if power is lost.
Power Consumption	1 W.
Temperature Limits	Ambient: 41 to 131°F (5 to 55°C); Process: 36 to 203°F (2 to 95°C).
Humidity Limit	<93%.
Pressure Limits	232 psi (16 bar) for DN15 to DN40; 362 psi (25 bar) for >DN50.
Pressure Drop	<1.5 psi (10 kPa).
Process Connection	See chart.
Serial Communications	Modbus® RTU or BACnet MSTP (selectable)*.
Enclosure Rating	IP65.
Enclosure Material	Plastic.
Repeatability	Flowmeter: 1%.
Electric Connections	3 ft (0.91 m) 4x0.2 mm ² cable with terminal block.
Flow Direction	Unidirectional.
Mounting Orientation	Horizontal or vertical.
Weight	See chart.
Compliance	CE.

*M-BUS available upon request.
 **Power supply must be floating, not grounded. Model numbers ending in "-DC" are for DC only applications.

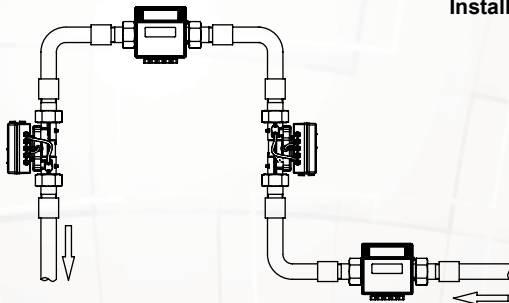
INSTALLATION



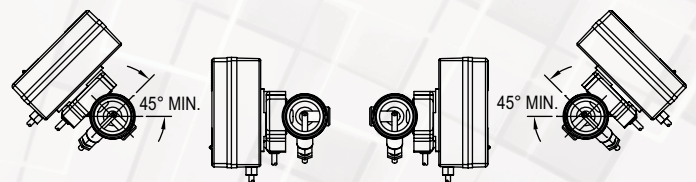
Installation diagram for TUF-150/400



Installation diagram for TUF-500/2000

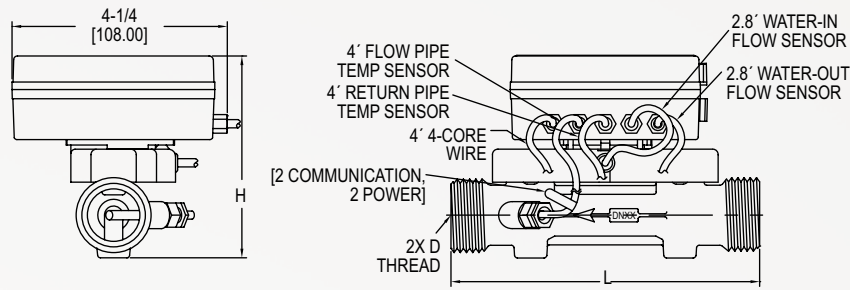


Installation positions

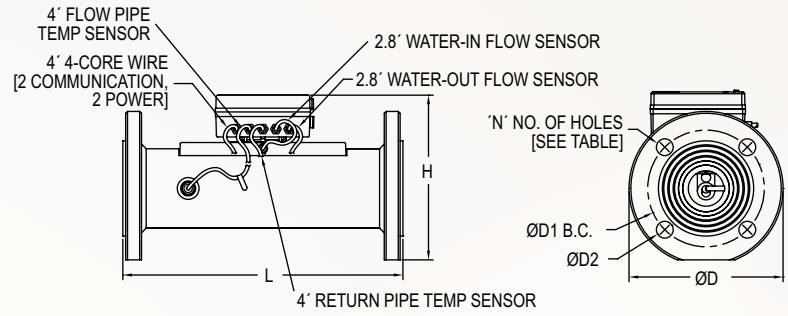


Mounting rotation

DIMENSIONS AND WIRING DIAGRAM



Model	Dimensions in [mm]			Flow Rate GPM [LPM]			Weight lb [kg]
	L	D	H	Max Flow (Qs)	Nominal Flow Range (Qp)	Min Flow (Qi)	
TUF-150-XX	4-21/64 [110.00]	G3/4B	3-31/32 [101.00]	13 [50]	6.6 [25]	0.1 [0.5]	3.1 [1.4]
TUF-200-XX	5-1/8 [130.00]	G1B	3-31/32 [101.00]	22 [83]	11 [42]	0.2 [0.8]	3.1 [1.4]
TUF-250-XX	6-19/64 [160.00]	G11/4B	4-11/64 [106.00]	31 [117]	15 [58]	0.3 [1.2]	4.1 [1.8]
TUF-320-XX	7-3/32 [180.00]	G11/2B	4-29/64 [113.00]	53 [200]	26 [100]	0.5 [2]	5.2 [2.3]
TUF-400-XX	7-7/8 [200.00]	G2B	4-49/64 [121.00]	88 [333]	44 [167]	0.9 [3.3]	6.6 [3.0]



Model	Dimensions in [mm]						Flow Rate GPM [LPM]			Weight lb [kg]
	L	ØD	H	ØD1	ØD2	N	Max Flow (Qs)	Nominal Flow Range (Qp)	Min Flow (Qi)	
TUF-500-XX	7-7/8 [200]	6-1/2 [165.00]	9-27/32 [250]	4-59/64 [125.00]	45/64 [18.00]	4	132 [500]	66 [250]	0.7 [2.5]	30.8 [14]
TUF-650-XX	7-7/8 [200]	7-9/32 [185.00]	10-7/16 [265]	5-45/64 [145.00]	45/64 [18.00]	4	220 [833]	110 [417]	1.1 [4.2]	30.2 [13.7]
TUF-800-XX	8-55/64 [225]	7-7/8 [200.00]	11-1/32 [280]	6-19/64 [160.00]	45/64 [18.00]	8	352 [1333]	176 [667]	1.8 [6.7]	37.5 [17]
TUF-1000-XX	9-27/32 [250]	8-21/32 [220.00]	12-13/64 [310]	7-3/32 [180.00]	45/64 [18.00]	8	528 [2000]	264 [1000]	2.6 [10]	41.8 [19]
TUF-1250-XX	9-27/32 [250]	9-27/32 [250.00]	12-63/64 [330]	8-17/64 [210.00]	45/64 [18.00]	8	881 [3333]	440 [1667]	4.4 [17]	57.3 [26]
TUF-1500-XX	11-13/16 [300]	11-7/32 [285.00]	14-11/64 [360]	9-29/64 [240.00]	55/64 [22.00]	8	1321 [5000]	660 [2500]	6.6 [25]	70.5 [32]
TUF-2000-XX	13-25/32 [350]	13-25/64 [340.00]	15-15/16 [405]	11-39/64 [295.00]	55/64 [22.00]	12	2202 [8333]	1101 [4167]	11 [42]	141 [64]

HOW TO ORDER

- Choose 1 ultrasonic energy meter model
- Choose pipe fitting model given the appropriate fitting size (for DN15 to DN40 only)*

Example: TUF-150-MD, Fitting Size: A, select pipe fitting Model WM-ACC-C01 or WM-ACC-C11.

Note: Series TUF units are factory set for supply line installation. (Can be modified in the field via communication protocol.)

Ultrasonic Energy Meter Model	Body Size**	Pipe Size		Fitting Size	Communication	Meter Connection	GPM (LPM)			Weight lb (kg)
		in	mm				Min Flow (Qi)	Nominal Flow Range (Qp)	Max Flow (Qs)	
TUF-150-MD	DN15	1/2	15	A	Modbus®	G-3/4	0.1 (0.5)	6.6 (25)	13 (50)	3.1 (1.4)
TUF-200-MD	DN20	3/4	20	B	Modbus®	G1	0.2 (0.8)	11 (42)	22 (83)	3.1 (1.4)
TUF-250-MD	DN25	1	25	C	Modbus®	G1-1/4	0.3 (1.2)	15 (58)	31 (117)	4.1 (1.8)
TUF-320-MD	DN32	1-1/4	32	D	Modbus®	G1-1/2	0.5 (2)	26 (100)	53 (200)	5.2 (2.3)
TUF-400-MD	DN40	1-1/2	40	E	Modbus®	G2	0.9 (3)	44 (167)	88 (333)	6.6 (3)
TUF-500-MD*	DN50	2	50	-	Modbus®	Flange	1.3 (5)	66 (250)	132 (500)	33 (15)
TUF-650-MD	DN65	2-1/2	65	-	Modbus®	Flange	2.2 (8.3)	110 (417)	220 (833)	10.1 (4.6)
TUF-800-MD	DN80	3	80	-	Modbus®	Flange	3.5 (13.3)	176 (667)	352 (1333)	13.5 (6.1)
TUF-1000-MD	DN100	4	100	-	Modbus®	Flange	5.3 (20)	264 (1000)	528 (2000)	16.5 (7.5)
TUF-1250-MD	DN125	5	125	-	Modbus®	Flange	8.8 (33)	440 (1667)	881 (3333)	21.1 (9.6)
TUF-150-BN	DN15	1/2	15	A	BACnet	G-3/4	0.1 (0.5)	6.6 (25)	13 (50)	3.1 (1.4)
TUF-200-BN	DN20	3/4	20	B	BACnet	G2	0.2 (0.8)	11 (42)	22 (83)	3.1 (1.4)
TUF-250-BN	DN25	1	25	C	BACnet	G1-1/4	0.3 (1.2)	15 (58)	31 (117)	4.1 (1.8)
TUF-320-BN	DN32	1-1/4	32	D	BACnet	G1-1/2	0.5 (2)	26 (100)	53 (200)	5.2 (2.3)
TUF-400-BN	DN40	1-1/2	40	E	BACnet	G2	0.9 (3)	44 (167)	88 (333)	6.6 (3)
TUF-500-BN*	DN50	2	50	-	BACnet	Flange	1.3 (5)	66 (250)	132 (500)	33 (15)
TUF-650-BN	DN65	2-1/2	65	-	BACnet	Flange	2.2 (8.3)	110 (417)	220 (833)	10.1 (4.6)
TUF-800-BN	DN80	3	80	-	BACnet	Flange	3.5 (13.3)	176 (667)	352 (1333)	13.5 (6.1)
TUF-1000-BN	DN100	4	100	-	BACnet	Flange	5.3 (20)	264 (1000)	528 (2000)	16.5 (7.5)
TUF-1250-BN	DN125	5	125	-	BACnet	Flange	8.8 (33)	440 (1667)	881 (3333)	21.1 (9.6)
Model					Power Requirements					
TUF-XXX-XX					24 VAC/VDC					
TUF-XXX-XX-DC					24 VDC					

*A pipe fitting is required to use the DN15 to DN40 energy meters. The DN50 has a flange connection and does not require a pipe fitting.
 **For additional sizes up to 8" (203.2 mm) contact factory.

ACCESSORIES

Fitting Size	Pipe Fitting Model***	Process Connection Size	Weight lb (kg)
A	WM-ACC-C01	1/2" NPT	0.6 (0.3)
A	WM-ACC-C11	1/2" BSPT	0.6 (0.3)
B	WM-ACC-C02	3/4" NPT	1.2 (0.5)
B	WM-ACC-C12	3/4" BSPT	1.2 (0.5)
C	WM-ACC-C03	1" NPT	1.8 (0.8)
C	WM-ACC-C13	1" BSPT	1.8 (0.8)
D	WM-ACC-C14	1-1/4" BSPT	2.3 (1.1)
E	WM-ACC-C05	1-1/2" NPT	4.4 (2)
E	WM-ACC-C15	1-1/2" BSPT	4.4 (2)

***Each model includes 1 fitting.

Modbus® is a registered trademark of Schneider Automation, Inc.

ORDER ONLINE TODAY!

dwyer-inst.com/Product/SeriesTUF



DWYER INSTRUMENTS, LLC

©Copyright 2022 Dwyer Instruments, LLC
 Printed in U.S.A. 1/22

DS-TUF Rev. 6

Important Notice: Dwyer Instruments, LLC reserves the right to make changes to or discontinue any product or service identified in this publication without notice. Dwyer advises its customers to obtain the latest version of the relevant information to verify, before placing any orders, that the information being relied upon is current.