

NEMA TYPE 4 CONTINUOUS HINGE ENCLOSURES

SCE-CH Series



- 0.075" Carbon Steel
- Seams Continuously Welded and Ground Smooth, No Holes or Knockouts
- Continuous Hinge
- External Screw Clamps are Quick and Easy to Operate
- Oil Resistant Gasket
- Standoffs Provided for Mounting Optional Panels
- Ground Stud on Door

Application

Designed for use as electrical junction boxes, terminal wiring boxes, instrument housings, and electrical control enclosures. For use indoors or outdoors, and provides protection from dust, dirt, oil and water.

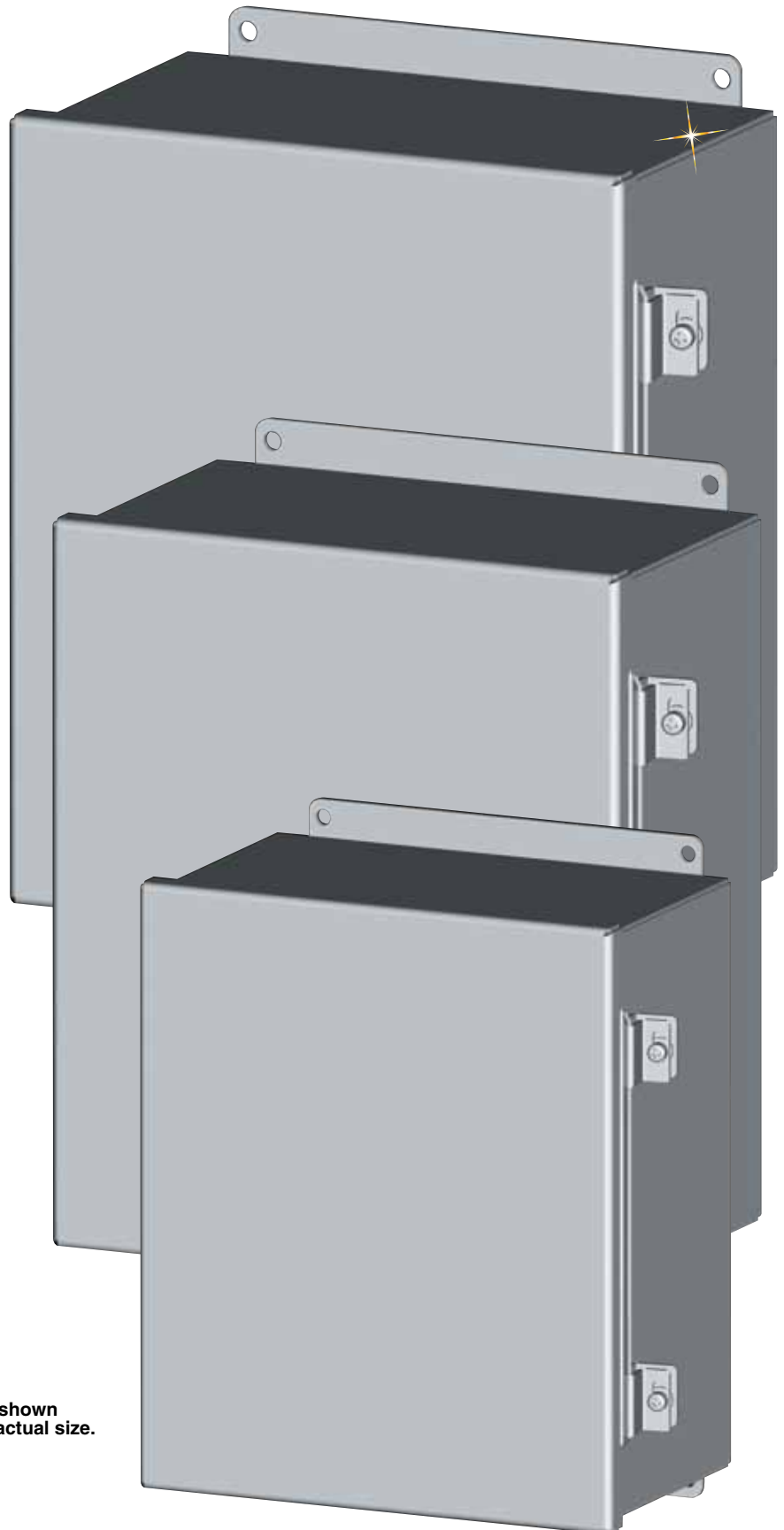
Finish

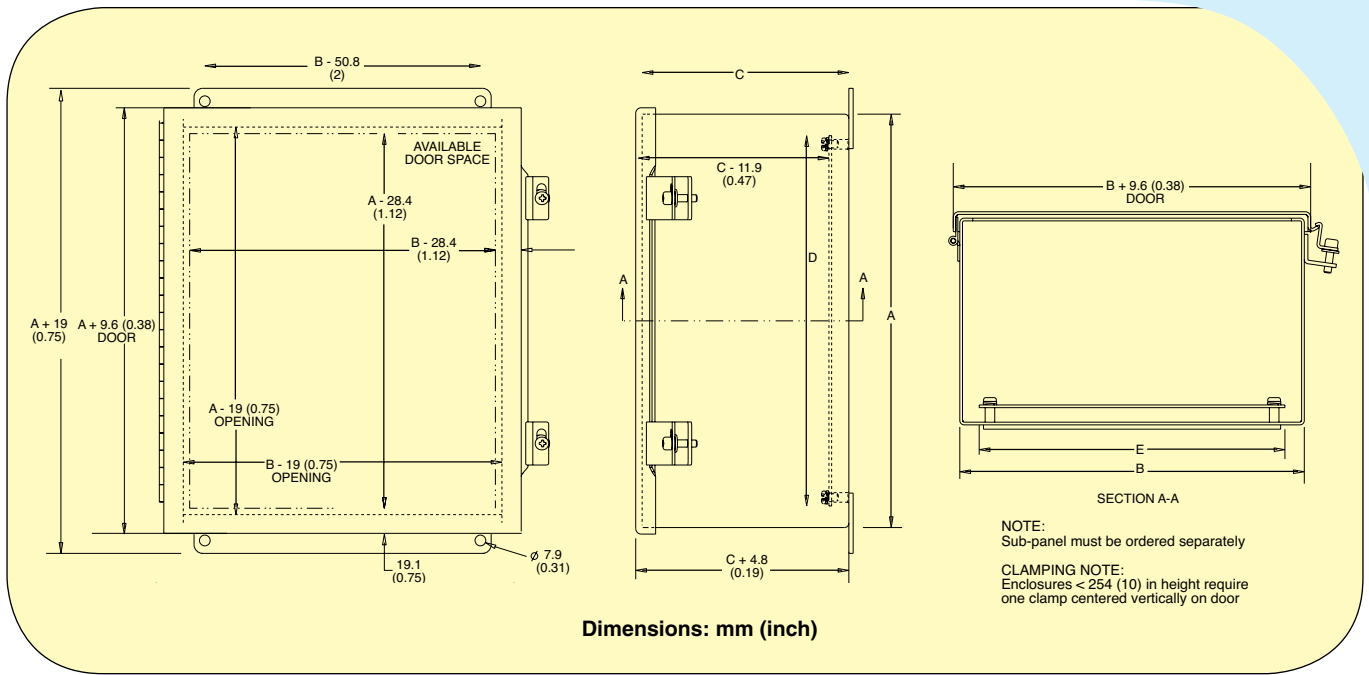
ANSI-61 gray powder coating inside and out. Optional panels are powder coated white.

Industry Standard-IS2

NEMA Type 4, 12 and Type 13
UL Listed Type 4 and 12
CSA Type 4 and 12
IEC 60529 IP 66

SCE-1210CH shown smaller than actual size.





To Order

TYPE 4 CONTINUOUS HINGE ENCLOSURES

MODEL NO.	ENCLOSURES (inch)			SUB-PANEL (inch)		
	HEIGHT (A)	WIDTH (B)	DEPTH (C)	MODEL NO.	HEIGHT (D)	WIDTH (E)
SCE-404CH	4.00	4.00	3.00	No Panel	—	—
SCE-4044CH	4.00	4.00	4.00	No Panel	—	—
SCE-604CH	6.00	4.00	3.00	SCE-6P4	4.88	2.88
SCE-6044CH	6.00	4.00	4.00	SCE-6P4	4.88	2.88
SCE-606CH	6.00	6.00	4.00	SCE-6P6	4.88	4.88
SCE-806CH	8.00	6.00	3.50	SCE-8P6	6.75	4.88
SCE-8066CH	8.00	6.00	6.00	SCE-8P6	6.75	4.88
SCE-808CH	8.00	8.00	4.00	SCE-8P8	6.75	6.88
SCE-8086CH	8.00	8.00	6.00	SCE-8P8	6.75	6.88
SCE-1008CH	10.00	8.00	4.00	SCE-10P8	8.75	6.88
SCE-1008CHS	10.00	8.00	4.00	SCE-10P8	8.75	6.88
SCE-10086CH	10.00	8.00	6.00	SCE-10P8	8.75	6.88
SCE-10106CH	10.00	10.00	6.00	SCE-10P10	8.75	8.88
SCE-12064CH	12.00	6.00	4.00	SCE-12P6	10.75	4.88
SCE-1210CH	12.00	10.00	5.00	SCE-12P10	10.75	8.88
SCE-1210CHS	12.00	10.00	5.00	SCE-12P10	10.75	8.88
SCE-12106CH	12.00	10.00	6.00	SCE-12P10	10.75	8.88
SCE-12108CH	12.00	10.00	8.00	SCE-12P10	10.75	8.88
SCE-1212CH	12.00	12.00	6.00	SCE-12P12	10.75	10.88
SCE-14086CH	14.00	8.00	6.00	SCE-14P8	12.75	6.88
SCE-1412CH	14.00	12.00	6.00	SCE-14P12	12.75	10.88
SCE-1412CHS	14.00	12.00	6.00	SCE-14P12	12.75	10.88
SCE-14128CH	14.00	12.00	8.00	SCE-14P12	12.75	10.88
SCE-16106CH	16.00	10.00	6.00	SCE-16P10	14.75	8.88
SCE-1614CH	16.00	14.00	6.00	SCE-16P14	14.75	12.88
SCE-1614CHS	16.00	14.00	6.00	SCE-16P14	14.75	12.88
SCE-16148CH	16.00	14.00	8.00	SCE-16P14	14.75	12.88
SCE-161410CH	16.00	14.00	10.00	SCE-16P14	14.75	12.88

Note: Model numbers ending in "S" are hinged on the "B" dimension.

Ordering Examples: SCE-404CH Type 4 continuous hinge enclosures.

SCE-8086CH Type 4, continuous hinge enclosure, 8 H x 8 W x 6" D, SCE-8P8, sub-panel.