

NEMA TYPE 1 ENCLOSURES WITH KNOCKOUTS



SCE-18N1606NK-T
shown smaller than actual size.



- 0.063 and 0.075" Carbon Steel Depending On Its Size
- Spot Weld Construction
- Knockouts Provided in The Top, of Enclosure Bottom, Right and Left Side
- Standoffs Provided For Mounting Optional Panels
- Continuous Hinge
- Doors Open 180°
- Key Locking Quarter Turn Latches
- Ground Stud On Door
- Mounting Holes in Back of Enclosure
- Subpanel with Mounting Grid Pattern Included

Application

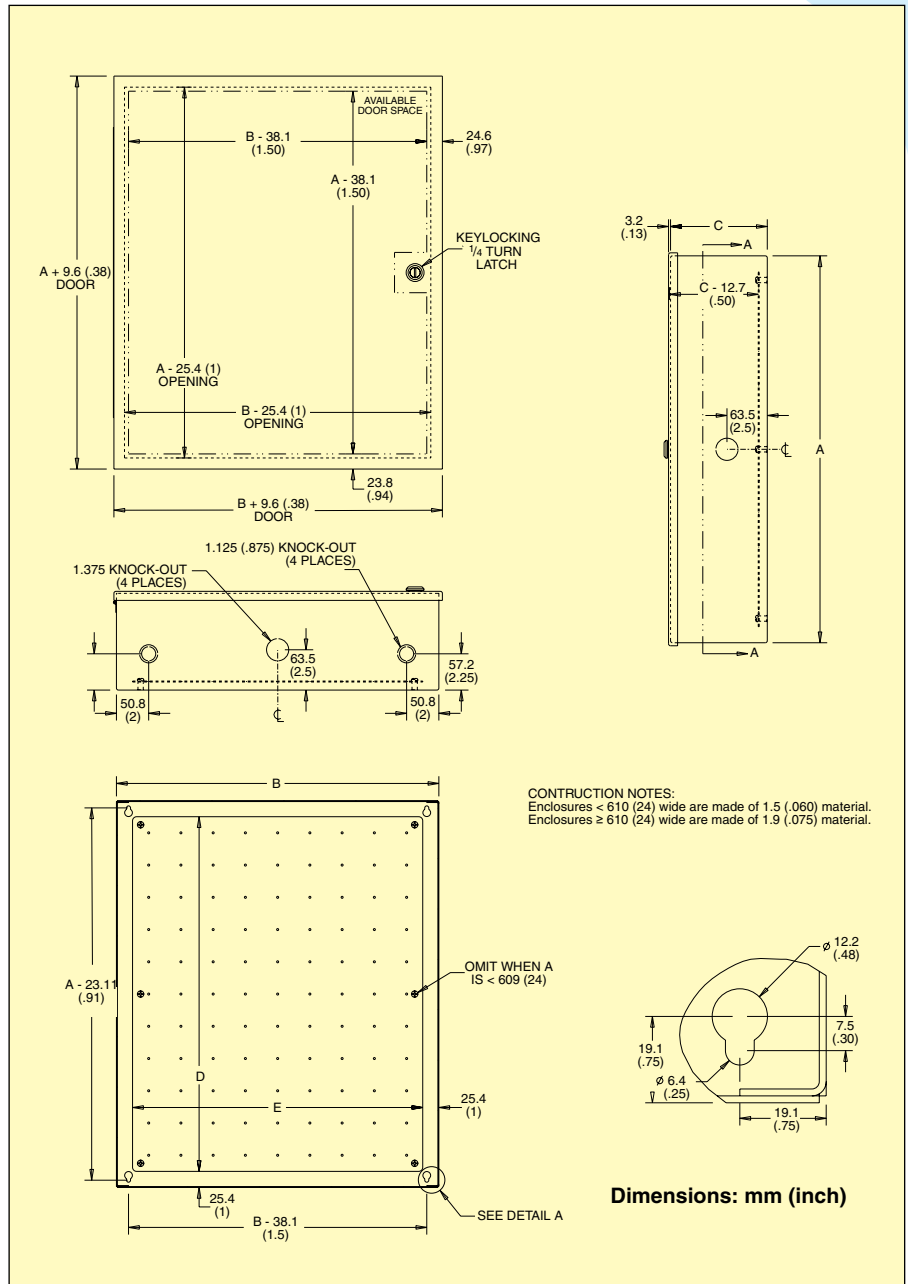
Designed to house electrical controls, instruments and components in areas that do not require oil, water and dust tight protection.

Finish

Optional precaution blue texture, safety orange or taupe tan textured power coat finish inside and out over phosphatized surface. Panels are powder coated to match the enclosure.

Industry Standards

- NEMA Type 1
- UL Listed Type 1
- CSA Type 1
- IEC 60529 IP 30



To Order

TYPE 1 ENCLOSURES WITH KNOCKOUTS

MODEL NO.	ENCLOSURES (inch)			SUB-PANEL (inch)		
	HEIGHT (A)	WIDTH (B)	DEPTH (C)	PRICE	HEIGHT (D)	WIDTH (E)
SCE-18N1606NK-T	18.00	16.00	6.00	Included	16.00	14.00
SCE-18N1606NK-B	18.00	16.00	6.00	Included	16.00	14.00
SCE-18N1606NK-O	18.00	16.00	6.00	Included	16.00	14.00
SCE-24N2006NK-T	24.00	20.00	6.00	Included	22.00	18.00
SCE-24N2006NK-B	24.00	20.00	6.00	Included	22.00	18.00
SCE-24N2006NK-O	24.00	20.00	6.00	Included	22.00	18.00
SCE-36N2406NK-T	36.00	24.00	6.00	Included	34.00	22.00
SCE-36N2406NK-B	36.00	24.00	6.00	Included	34.00	22.00
SCE-36N2406NK-O	36.00	24.00	6.00	Included	34.00	22.00

Note: Model numbers ending in the letter: (B) are precaution blue textured; (O) are safety orange textured; (T) are taupe tan textured.
Ordering Example: SCE-18N1606NK-T Type 1 enclosures with knockout.