

NEMA TYPE 4 SCREW COVER ENCLOSURES

SCE-SC Series



- 0.075" Carbon Steel
- Seams Continuously Welded and Ground Smooth, No Holes or Knockouts
- Captivated Cover Screws Thread Into Sealed Wells
- Oil Resistant Gasket
- Standoffs Provided for Mounting Optional Panels

Application

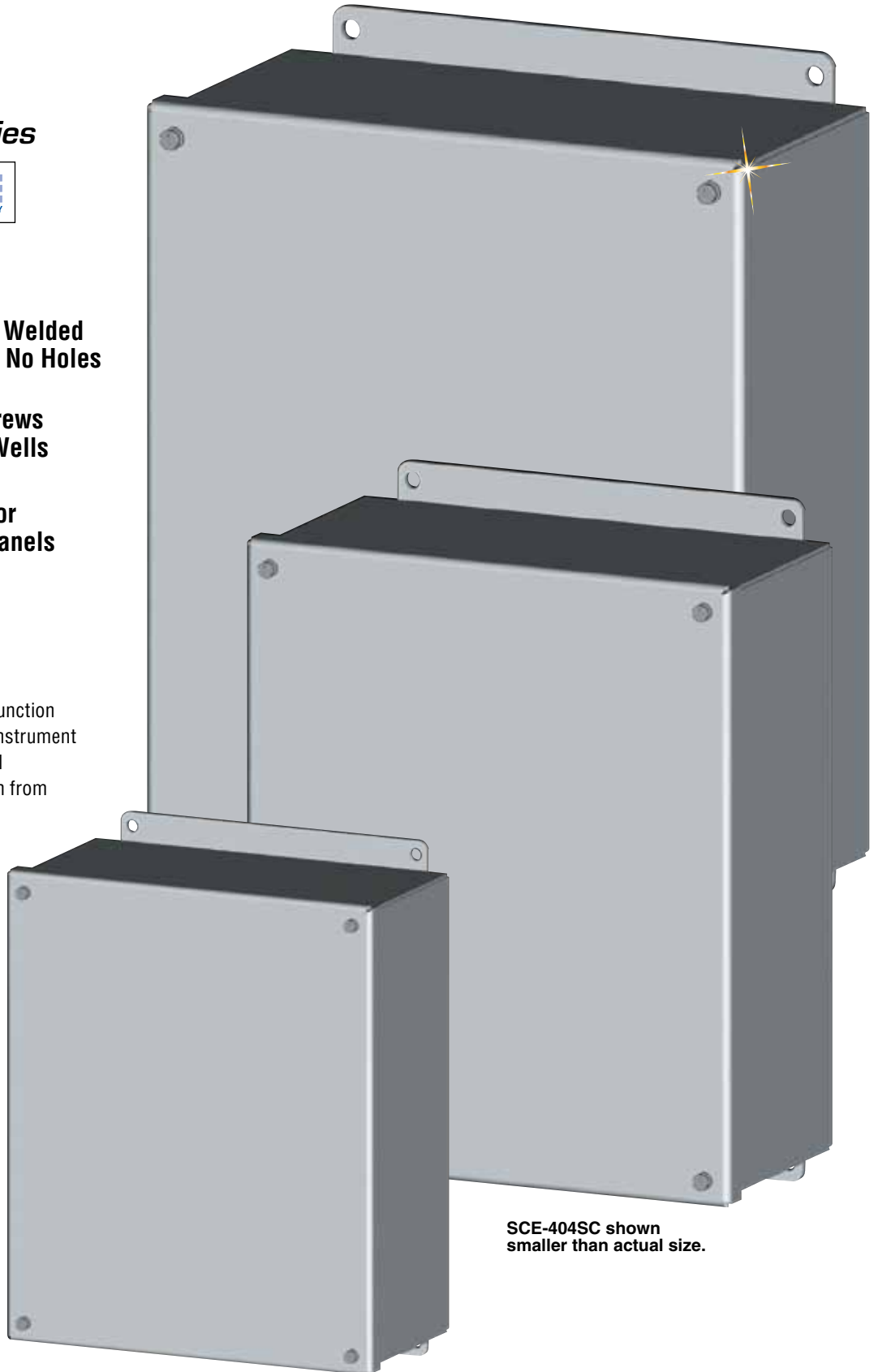
Designed for use as electrical junction boxes, terminal wiring boxes, instrument housings, and electrical control enclosures. Provides protection from dust, oil and water.

Finish

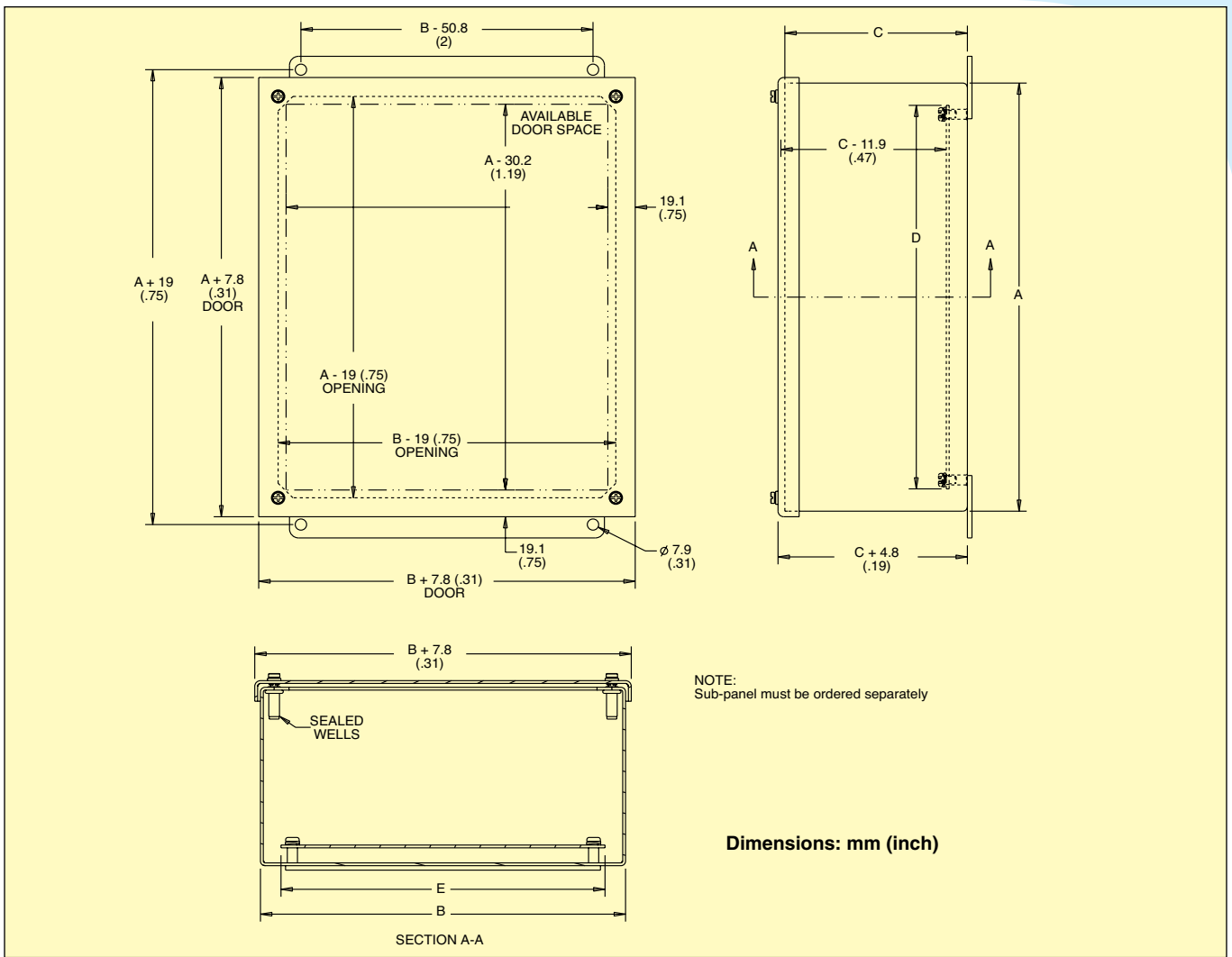
ANSI-61 gray powder coating inside and out over phosphatized surfaces. Optional panels are powder coated white.

Industry Standards IS2

NEMA Type 4, 12, and 13
UL Listed Type 4 and 12;
CSA Type 4 and 12;
IEC 60529 IP 66



SCE-404SC shown smaller than actual size.



To Order							
TYPE 4 SCREW COVER ENCLOSURES							
MODEL NO.	ENCLOSURES (inch)			SUB-PANEL (inch)			WIDTH (E)
	HEIGHT (A)	WIDTH (B)	DEPTH (C)	MODEL NO.	HEIGHT (D)	WIDTH	
SCE-404SC	4.00	4.00	3.00	No Panel	—	—	
SCE-4044SC	4.00	4.00	4.00	No Panel	—	—	
SCE-604SC	6.00	4.00	3.00	SCE-6P4	4.88	2.88	
SCE-6044SC	6.00	4.00	4.00	SCE-6P4	4.88	2.88	
SCE-606SC	6.00	6.00	4.00	SCE-6P6	4.88	4.88	
SCE-806SC	8.00	6.00	3.50	SCE-8P6	6.75	4.88	
SCE-8066SC	8.00	6.00	6.00	SCE-8P6	6.75	4.88	
SCE-808SC	8.00	8.00	4.00	SCE-8P8	6.75	6.88	
SCE-1008SC	10.00	8.00	4.00	SCE-10P8	8.75	6.88	
SCE-10086SC	10.00	8.00	6.00	SCE-10P8	8.75	6.88	
SCE-1010SC	10.00	10.00	4.00	SCE-10P10	8.75	8.88	
SCE-10106SC	10.00	10.00	6.00	SCE-10P10	8.75	8.88	
SCE-1210SC	12.00	10.00	5.00	SCE-12P10	10.75	8.88	
SCE-121010SC	12.00	10.00	10.00	SCE-12P10	10.75	8.88	
SCE-1212SC	12.00	12.00	6.00	SCE-12P12	10.75	10.88	
SCE-1412SC	14.00	12.00	6.00	SCE-14P12	12.75	10.88	
SCE-1614SC	16.00	14.00	6.00	SCE-16P14	14.75	12.88	

Ordering Example: SCE-404SC Type 4, screw cover enclosure.

SCE-1008SC Type 4, screw cover enclosure with SCE-10P8 sub-panel.