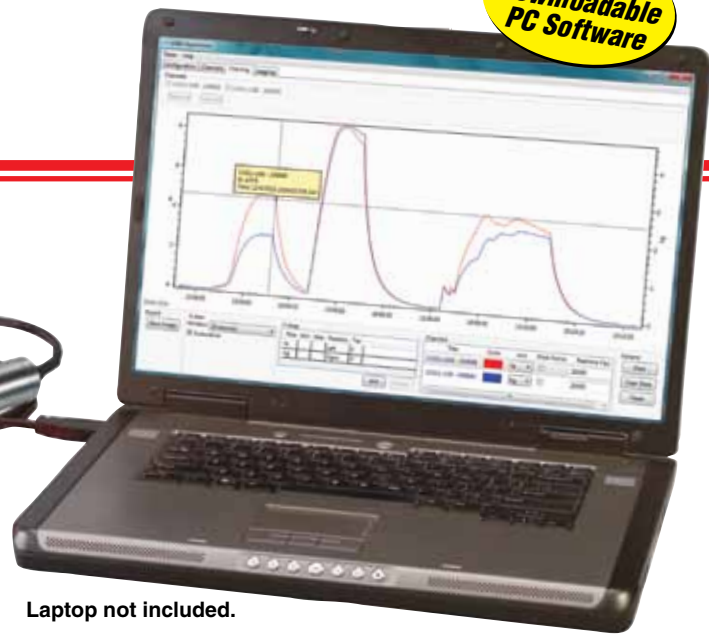
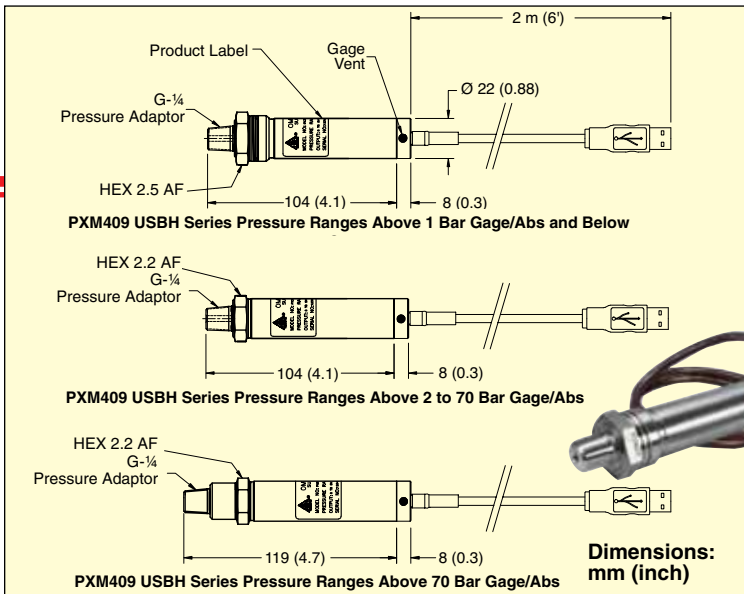


Free Downloadable PC Software

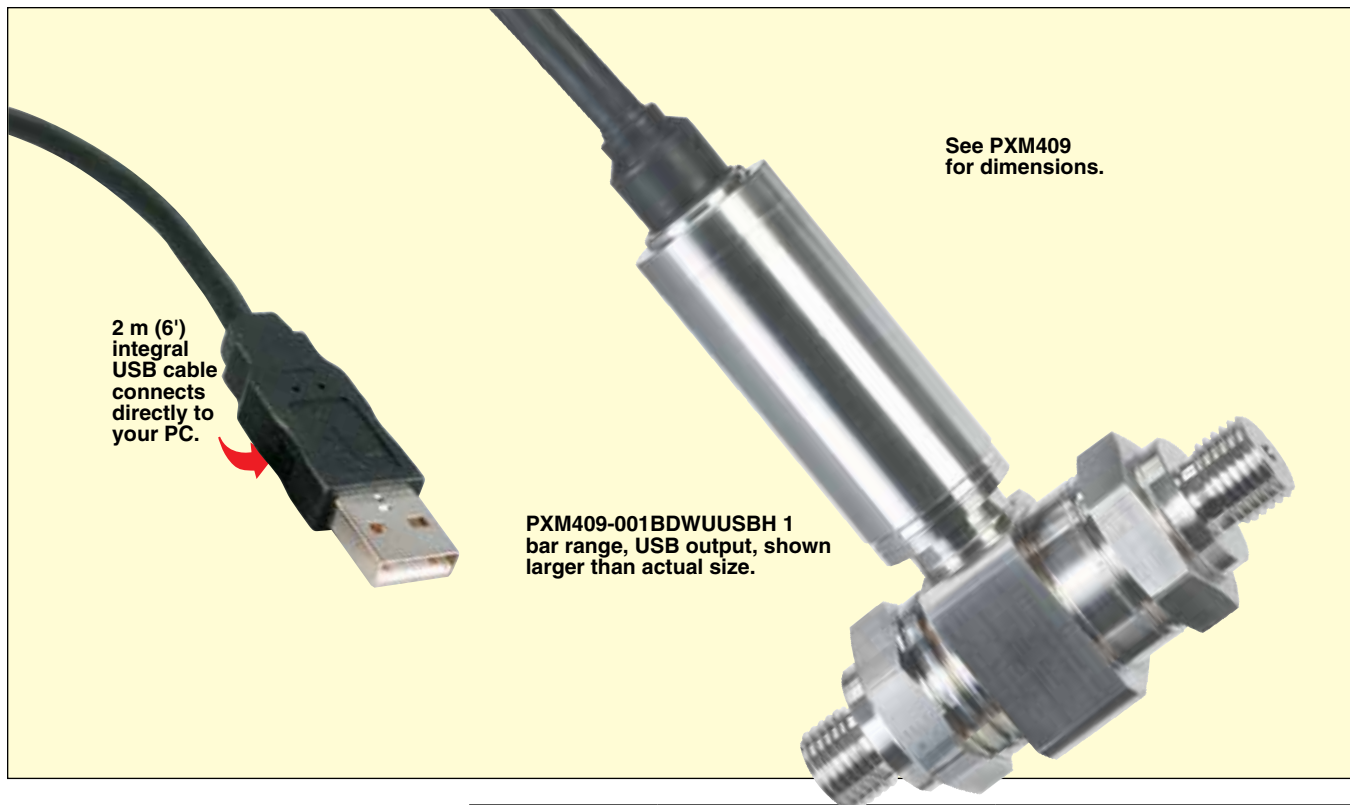


Laptop not included.

To Order		
RANGE	GAGE PRESSURE MODEL NO.	ABSOLUTE PRESSURE MODEL NO.
GAGE (Relative) AND ABSOLUTE PRESSURE		
0 to 25 mbar	PXM409-025HGUSBH	—
0 to 70 mbar	PXM409-070HGUSBH	—
0 to 170 mbar	PXM409-170HGUSBH	—
350 mbar	PXM409-350HGUSBH	PXM409-350HAUSBH
1 bar	PXM409-001BGUSBH	PXM409-001BAUSBH
2 bar	PXM409-002BGUSBH	PXM409-002BAUSBH
3.5 bar	PXM409-3.5BGUSBH	PXM409-3.5BAUSBH
7 bar	PXM409-007BGUSBH	PXM409-007BAUSBH
10 bar	PXM409-010BGUSBH	PXM409-010BAUSBH
17.5 bar	PXM409-17.5BGUSBH	PXM409-17.5BAUSBH
35 bar	PXM409-035BGUSBH	PXM409-035BAUSBH
50 bar	PXM409-050BGUSBH	PXM409-050BAUSBH
70 bar	PXM409-070BGUSBH	PXM409-070BAUSBH
100 bar	PXM409-100BGUSBH	PXM409-100BAUSBH
175 bar	PXM409-175BGUSBH	PXM409-175BAUSBH
245 bar	PXM409-245BGUSBH	PXM409-245BAUSBH
350 bar	PXM409-350BGUSBH	PXM409-350BAUSBH
VACUUM RANGES (Ambient pressure = 0, output increases with vacuum)		
25 mbar	PXM409-025HVUSBH	—
70 mbar	PXM409-070HVUSBH	—
170 mbar	PXM409-170HVUSBH	—
350 mbar	PXM409-350HVUSBH	—
1 bar	PXM409-001BVUSBH	—
COMPOUND GAGE RANGES (Output is bi-directional with pressure)		
±25 mb	PXM409-025HCGUSBH	—
±70 mb	PXM409-070HCGUSBH	—
±170 mb	PXM409-170HCGUSBH	—
±350 mb	PXM409-350HCGUSBH	—
±1 bar	PXM409-001BCGUSBH	—
BAROMETRIC RANGES		
0 to 1100 hPa	—	PXM409-32HBUSBH
550 to 1100 hPa	—	PXM409-16HBUSBH
880 to 1100 hPa	—	PXM409-26HBUSBH

Comes complete with 5-point NIST traceable calibration certificate, cable with USB connector, and free downloadable PC software.
Ordering Examples: PXM409-17.5BAUSBH, 17.5 bar absolute pressure range, high speed USB output.
 PX409-16HBUSBH, 550 to 1100 hPa barometric pressure range, high speed USB output.

HIGH SPEED USB DIFFERENTIAL PRESSURE TRANSDUCERS



PRESSURE TRANSDUCERS
USB OUTPUT
B

SPECIFICATIONS DIFFERENTIAL MODELS

Ranges: Unidirectional 25 mb to 70 bar
Line/Static Pressure: 35 bar maximum applied to both sides simultaneously

High Side Containment Pressure (Differential)

Wet/Dry and Wet/Wet:
 25 to 350 mb: to 70 bar
 1 to 70 bar: to 200 bar

Overpressure (Differential):

Wet/Dry and Wet/Wet:
 25 mb: 10 times span
 70 mb: 6 times span
 170 mb to 50 bar: 4 times span
 70 bar: to 200 bar

Weight: 227 g (8 oz)
Line Pressure: 35 bar maximum
Fitting: G-1/4 male

To Order

RANGE	WET/DRY DIFFERENTIAL PRESSURE MODEL NO.	WET/WET DIFFERENTIAL PRESSURE MODEL NO.
DIFFERENTIAL PRESSURE		
0 to 25 mbar	PXM409-025HDDUUSBH	PXM409-025HDWUUSBH
0 to 70 mbar	PXM409-070HDDUUSBH	PXM409-070HDWUUSBH
0 to 170 mbar	PXM409-170HDDUUSBH	PXM409-170HDWUUSBH
350 mbar	PXM409-350HDDUUSBH	PXM409-350HDWUUSBH
1 bar	PXM409-001BDDUUSBH	PXM409-001BDWUUSBH
2 bar	PXM409-002BDDUUSBH	PXM409-002BDWUUSBH
3.5 bar	PXM409-3.5BDDUUSBH	PXM409-3.5BDWUUSBH
7 bar	PXM409-007BDDUUSBH	PXM409-007BDWUUSBH
10 bar	PXM409-010BDDUUSBH	PXM409-010BDWUUSBH
17.5 bar	PXM409-17.5BDDUUSBH	PXM409-17.5BDWUUSBH
35 bar	PXM409-035BDDUUSBH	PXM409-035BDWUUSBH
50 bar	PXM409-050BDDUUSBH	PXM409-050BDWUUSBH
70 bar	PXM409-070BDDUUSBH	PXM409-070BDWUUSBH

Comes complete with 5-point NIST traceable calibration certificate, cable with USB connector, and free downloadable PC software.

Ordering Examples: PXM409-17.5BDDUUSBH, 17.5 bar differential pressure range, unidirectional, Wet/Dry model, high speed USB output.

PXM409-025HDWUUSBH, 25 mbar differential pressure range, unidirectional Wet/Wet model, high speed USB output.

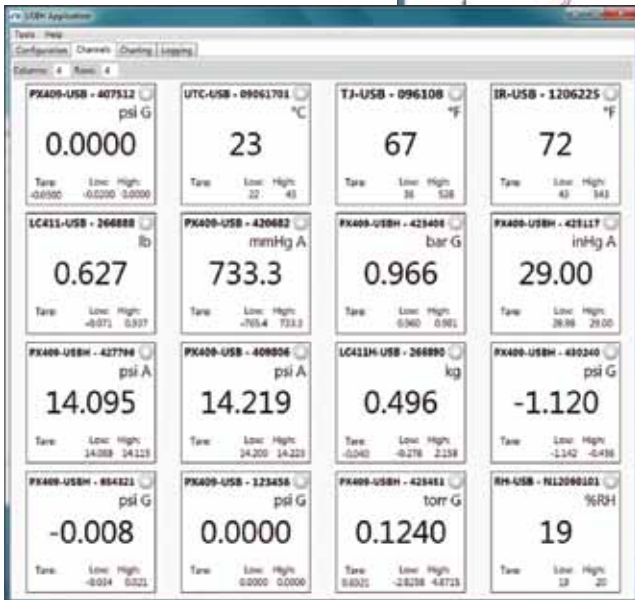
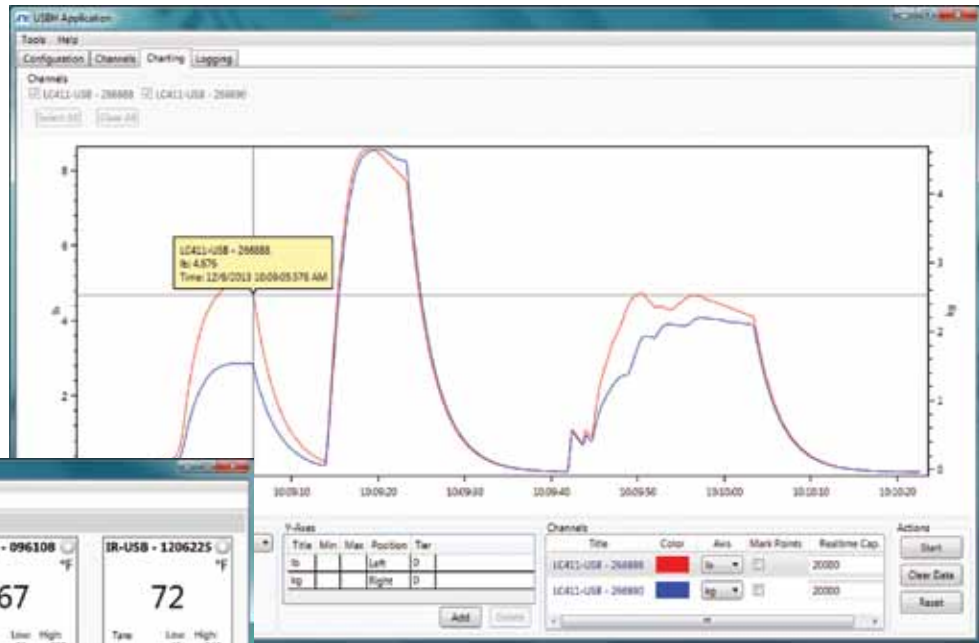
OMEGA USBH MAJOR SOFTWARE UPDATE

OMEGA is excited to announce the release of a major software update for USB Transducers! The fresh look and added features add even more value and flexibility to your transducer's performance. Free OMEGA PC software takes the data from the transducer directly to the digital domain, turning your laptop or Windows® tablet (with USB connection) into a virtual meter, chart recorder, or data logger. Also included are .NET APIs and a set for command-line access.

Visit <ftp://ftp.omega.com/public/DASGroup/products/USBH/> to download your free copy.*

* Includes software to run TRH Central compatible devices.

Charting Window – The addition of a charting window allows you to see your data graphed in real time. The Y axis is configurable to allow simultaneous graphing of multiple engineering units. You can output the image of your data to a png file.



Channels Window – Display data from all of your sensors simultaneously. Each channel has configurable user alarms, three data filters, tare, resettable low/high indication, and sample rates ranging from 30 minutes to 1000 Hz.

PX409-USBH-425117	
Units	psi
Count	10
Last	14.2349
Low	14.2349
High	14.2353

Logging Window – A new xls filetype output option presents preformatted data for readability. In addition, Live Statistics are displayed, including the sensor information, the start/stop time, the number of samples taken, the current reading, and the High/Low readings. With the logging window, you can capture your data for later analysis.

Support for Omega Pressure, Force, Temperature, and Humidity USB Transducers

One software package supports:

PX409-*-USB, PX409-*-USBH, LC411-*-USBH, TJ-USB, IR-USB, RH-USB and UTC-USB transducers.

