

# MINIATURE FLUSH DIAPHRAGM PRESSURE TRANSDUCER

## 1/4 NPT PRESSURE CONNECTION

**mV/V Output**  
0-50 to 0-5000 psi  
0-3.4 to 0-345 bar

**PX61C Series**  
All Ranges



- ✓ Miniature Flush Diaphragm
- ✓ Flush Diaphragm for Precise Measurements
- ✓ All Welded Construction

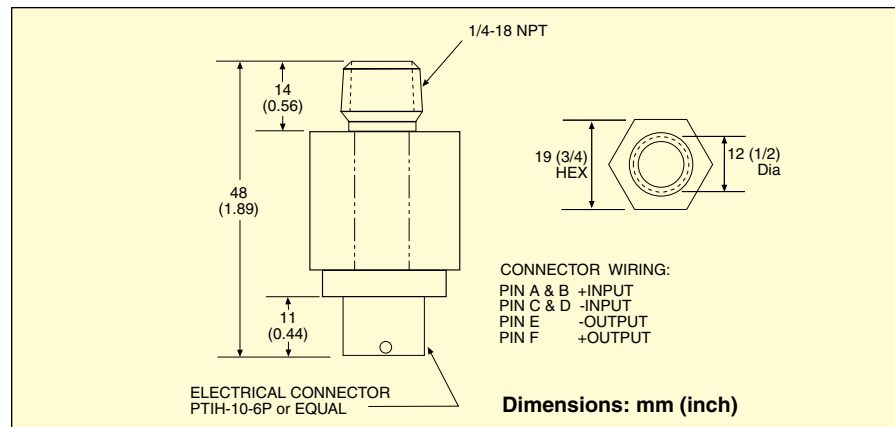
### SPECIFICATIONS

**Excitation:** 5 Vdc  
**Output Range:** 2 mV/V -30% +50%  
 (For 50 PSI, 1 mV/V -30% +50%)  
**Bridge Resistance:** 350 Ω nominal  
**Zero Balance:** ±3.0% of FSO  
**Accuracy:** 1.0% linearity and hysteresis combined; calibrated at 0%, 50%, 100%, 50%, 0%  
**Repeatability:** 0.1% of FSO  
**Operating Temperature Range:**  
 -54 to 121°C (-65 to 250°F)  
**Compensated Temperature Range:**  
 16 to 71°C (60 to 160°F)  
**Thermal Effects:**  
**Zero:** ±0.01% FS/°F  
**Span:** ±0.02% FSO/°F  
**Proof Pressure:** 150% of capacity  
**Burst Pressure:** 500% of capacity or 10,000 psi, whichever is less  
**Electrical Connections:** PTIH-10-6P connector  
**Mating Connector:** PT06F10-6S-R (sold separately)  
**Pressure Connection:** 1/4-18 NPT  
**Wetted Parts:** 17-4 PH stainless steel  
**Weight:** 50 g (0.55 oz)

Shown larger than actual size.



PX61C1-050GV, shown actual size.



### To Order

RANGE	MODEL NO.	COMPATIBLE METERS*
<b>ABSOLUTE PRESSURE (All Ranges Available in Absolute Pressure)</b>		
0 to 50 psi	0 to 3.4 bar	<b>PX61C1-050AV</b> DP41-S, DP25B-S
0 to 100 psi	0 to 6.9 bar	<b>PX61C1-100AV</b> DP41-S, DP25B-S
<b>GAGE PRESSURE (All Ranges Also Available in Sealed Gage Pressure)</b>		
0 to 50 psi	0 to 3.4 bar	<b>PX61C1-050GV</b> DP41-S, DP25B-S
0 to 100 psi	0 to 6.9 bar	<b>PX61C1-100GV</b> DP41-S, DP25B-S
0 to 200 psi	0 to 13.8 bar	<b>PX61C1-200GV</b> DP41-S, DP25B-S
0 to 300 psi	0 to 20.7 bar	<b>PX61C1-300GV</b> DP41-S, DP25B-S
0 to 500 psi	0 to 34.5 bar	<b>PX61C1-500GV</b> DP41-S, DP25B-S
0 to 1000 psi	0 to 68.9 bar	<b>PX61C1-1KGV</b> DP41-S, DP25B-S
0 to 2500 psi	0 to 172 bar	<b>PX61C1-2.5KGV</b> DP41-S, DP25B-S
0 to 4000 psi	0 to 276 bar	<b>PX61C1-4KGV</b> DP41-S, DP25B-S
0 to 5000 psi	0 to 345 bar	<b>PX61C1-5KGV</b> DP41-S, DP25B-S

Comes complete with 5-point NIST-traceable calibration.

\* Visit us online for compatible meters.

Metric ranges available – Consult Engineering.

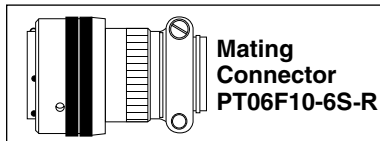
To order sealed gage pressure models, replace "G" in model number with "S" (no extra charge). To order absolute pressure models, replace "G" in model number with "A" (no extra charge).

**Ordering Examples:** **PX61C1-100AV**, 100 psi absolute pressure transducer with PTIH-10-6P electrical connection and 1/4-18 NPT male pressure port. **PT06F10-6S-R**, mating connector (sold separately).

**PX61C1-100SV**, 100 psi sealed gage pressure transducer with PTIH-10-6P electrical connection and 1/4-18 NPT male pressure port. **PT06F10-6S-R**, mating connector (sold separately).

### ACCESSORY

MODEL NO.	DESCRIPTION
PT06F10-6S-R	Mating connector for PX61C series transducers

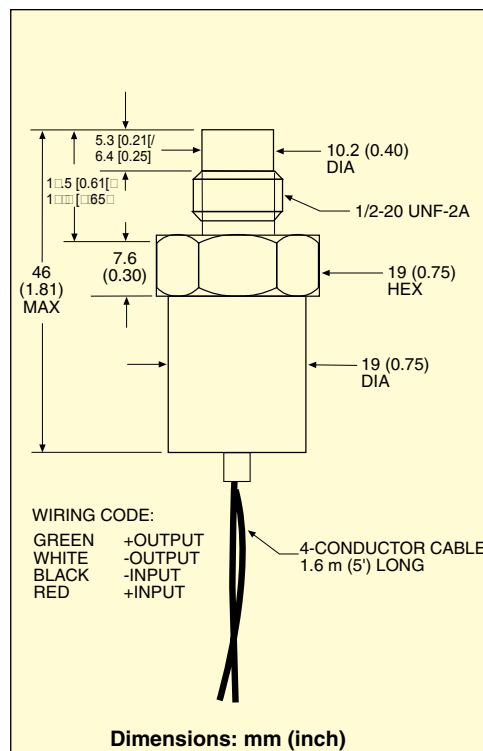
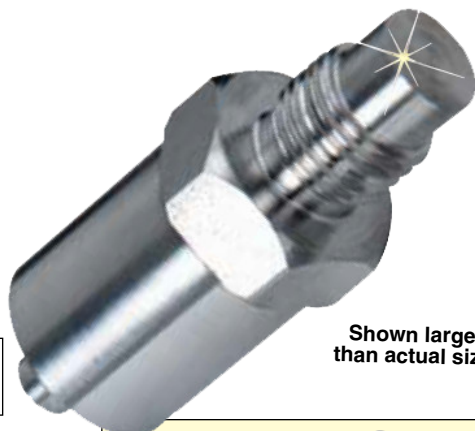


# MINIATURE FLUSH DIAPHRAGM PRESSURE TRANSDUCER

## 1/2-20 UNF PRESSURE CONNECTION

**mV/V Output**  
**0-50 to 0-15,000 psi**  
**0-3 to 0-1000 bar**

**PX61V Series**  
**All Ranges**



- Miniature Flush Diaphragm
- All Stainless Steel Construction
- Available in psia, psis, psig, and Metric Ranges

### SPECIFICATIONS

**Excitation:** 5 Vdc  
**Output Range:** 2 mV/V -30% +50%  
 (For 50 PSI, 1 mV/V -30% +50%)  
**Accuracy:** 1.0% linearity and hysteresis combined  
**Repeatability:** ±0.1% of FSO  
**Balance:** ±3.0% of FSO  
**Bridge Resistance:** 350 Ω nominal  
**Operating Temperature Range:** -54 to 121°C (-65 to 250°F)  
**Compensated Temperature Range:** 16 to 71°C (60 to 160°F)  
**Thermal Effects:**  
**Zero:** ±0.01% FS/°F  
**Span:** ±0.02% FSO/°F  
**Proof Pressure:** 150% of capacity  
**Burst Pressure Minimum:** 300% of capacity or 30,000 psi, whichever is less  
**Electrical Connections:** 1.5 m (5'); 4-conductor cable or PTIH-10-6P connector  
**Pressure Connection:** 1/2-20 UNF-2A  
**Wetted Parts:** 17-4 PH stainless steel

### ACCESSORY

MODEL NO.	DESCRIPTION
PT06F10-6S-R	Mating connector for PX61V1 series transducers

### To Order

RANGE	MODEL NO.	COMPATIBLE METERS**
<b>ABSOLUTE PRESSURE (All Ranges Available in Absolute Pressure)</b>		
0 to 50 psi	0 to 3.4 bar	PX61V[*]-050AV
0 to 100 psi	0 to 6.9 bar	PX61V[*]-100AV
<b>GAGE PRESSURE (All Ranges Also Available in Sealed Gage Pressure)</b>		
0 to 50 psi	0 to 3.4 bar	PX61V[*]-050GV
0 to 100 psi	0 to 6.9 bar	PX61V[*]-100GV
0 to 150 psi	0 to 10.3 bar	PX61V[*]-150GV
0 to 200 psi	0 to 13.8 bar	PX61V[*]-200GV
0 to 300 psi	0 to 20.7 bar	PX61V[*]-300GV
0 to 500 psi	0 to 34.5 bar	PX61V[*]-500GV
0 to 1000 psi	0 to 68.9 bar	PX61V[*]-1KGV
0 to 2500 psi	0 to 172 bar	PX61V[*]-2.5KGV
0 to 5000 psi	0 to 345 bar	PX61V[*]-5KGV
0 to 10,000 psi	0 to 689 bar	PX61V[*]-10KGV
0 to 15,000 psi	0 to 1034 bar	PX61V[*]-15KGV

Comes complete with 5-point NIST-traceable calibration. Metric ranges available – Consult Engineering.

† 4-digit meter, counts in increments of 10.

\*\* Visit us online for compatible meters.

[\*] To order cable style insert "0", to order connector style insert "1".

To order psia models, replace "G" in model number with "A".

To order psis models, replace "G" in model number with "S".

**Ordering Examples:** PX61V0-100AV, 100 psi absolute pressure transducer with 1.5 m (5') cable and 1/2-20 UNF male pressure port.

PX61V0-100SV, 100 psi sealed gage pressure transducer with 1.5 m (5') cable and 1/2-20 UNF male pressure port.



MILLIVOLT OUTPUT  
 PRESSURE TRANSDUCERS

**B**