

FLUSH MOUNT ADAPTORS FOR SERIES 102 AND 103 TRANSDUCERS

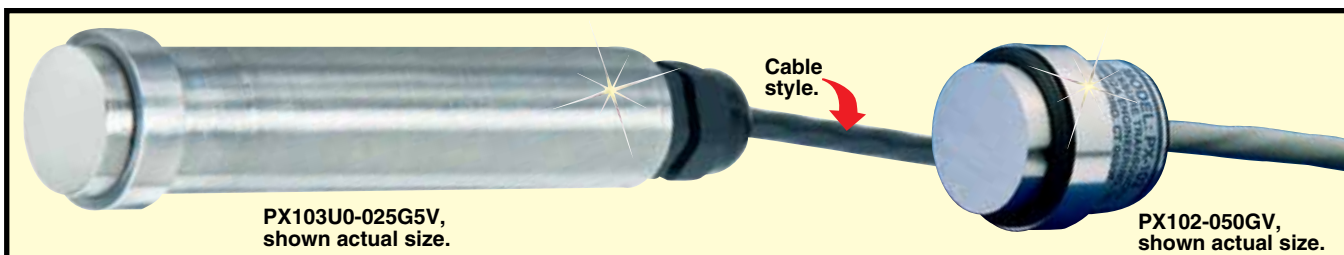
O-RING INCLUDED WITH EACH ADAPTOR



AD-3SS with 1 NPT fitting,
shown actual size.



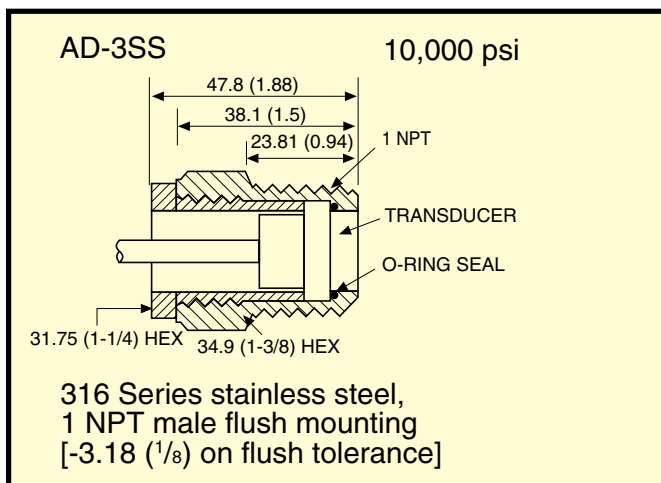
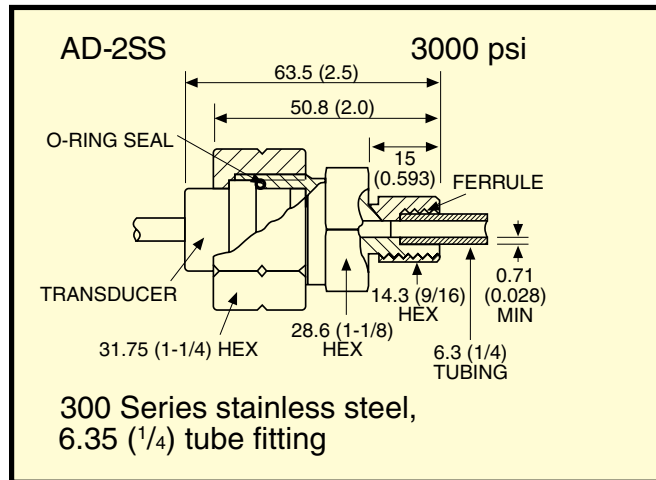
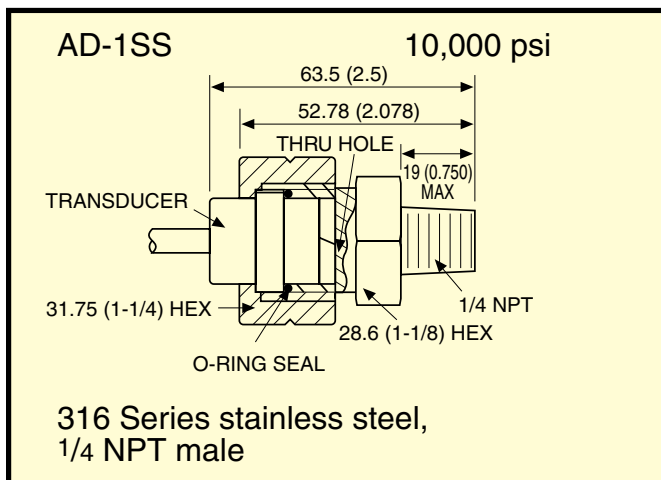
AD-1SS with 1/4 NPT fitting,
shown actual size.



PX103U0-025G5V,
shown actual size.

PX102-050GV,
shown actual size.

Dimensions: mm (inch)



O-RINGS

Use for pressures under 10,000 psi:

#2-018-V
FKM Pk of 10

#2-013-V
FKM Pk of 10

Use for pressures of 10,000 psi and higher:

#2-018-P
POLYURETHANE Pk of 10

#2-013-P
POLYURETHANE Pk of 10



MILLIVOLT OUTPUT
PRESSURE TRANSDUCERS

B