



Description

The P60R8 pH sensor is a dependable industrial grade sensor designed to provide accurate measurement and longer service life under the most demanding conditions. Some features of this sensor include: differential measurement technology, replaceable salt bridge and encapsulated preamp.

The P60R8 incorporates all the benefits of differential measurement found in other models of the 60 series, field proven in thousands of installations. This technique uses two glass electrodes to make the measurement differentially with respect to a third metal electrode. The domed glass process electrode is specially designed for tough applications. The second electrode is immersed in a pH 7 buffer encapsulated in the sensor.

This second electrode is protected from the process by a double junction replaceable salt bridge. The resulting true differential measurement has several advantages over conventional sensors: ground loop problems are virtually eliminated, and the salt bridge is easily replaced.

If the internal solution becomes contaminated, the sensor can be rejuvenated at modest cost by replacing the salt bridge and reference solution. Automatic temperature compensation is accomplished through the use of a Pt1000 RTD at the tip of the sensor. This Pt1000 RTD placement provides rapid response for process temperature variations.

The encapsulated preamplifier provides an output signal which can be transmitted 3000 feet over inexpensive cable. Another version encapsulates a blind 4-20 mA two wire transmitter which can transmit a virtually unlimited distance over a twisted pair cable. (See P65 data sheet).

Features

- Differential measurement technology
- Replaceable Salt Bridge
- Double junction for longer life
- Low Maintenance Cost
- Field-proven
- Encapsulated Preamplifier
- Transmits up to 3000 ft.
- Chemically resistant
- 4-20 mA two-wire blind transmitter version available (model P65)

Applications

- Process Control
- Industrial and Municipal Water Treatment
- Industrial and Municipal Waste Treatment and Neutralization
- Fume Scrubbers
- Plating
- Circuit Board Manufacturing
- Food and Beverage
- Chemical Processing
- Pulp and Paper
- Mining

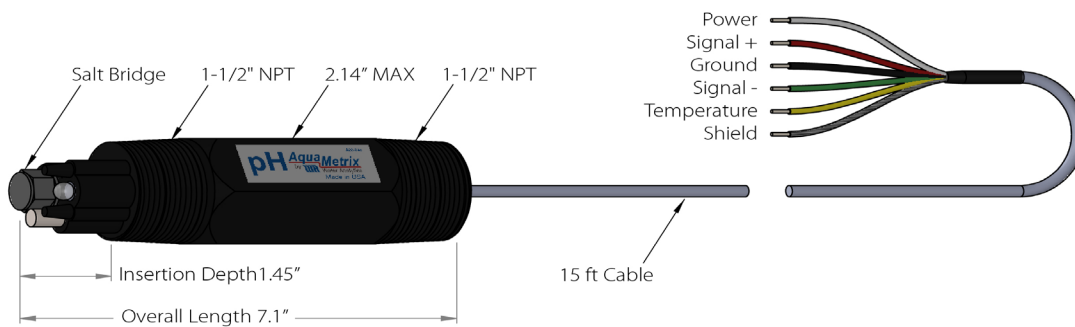


Model P60R8 Differential pH Sensor

Technical Data

| | | | |
|---|--|---------------------|--|
| Measuring Range | 0 to 14 pH (Consult factory for applications below 2 or above 12). | Stability | 0.03 pH per day, non-cumulative |
| Wetted Materials | Ryton, Kynar, glass, titanium palladium alloy and Viton. | Sensitivity | 0.001 pH unit |
| Temperature Limits | -5 to 95°C (23 to 203°F) | Accuracy | ± 0.02 pH |
| Maximum Pressure | 100 psig at 150°F (65°C) | Sensor Cable | 5 Conductor plus shield, 15 ft. (4.6m) |
| Maximum Flow Rate | 10 ft./sec maximum (3 meters/sec) Flow should be as low as possible in water with low conductivity water or suspended sol | | |
| Automatic Temperature Compensation | Standard PT1000Ω RTD Optional ATC: 300 NTC | | |

Dimensions



Related Products

ACCESORIES

| | |
|----------|--|
| AM-SBK-8 | Salt bridge kit for -8 series sensor (3 Pack) |
| AM-ARM-8 | Submersion hardware for -8 series sensor |
| AM-CBL60 | Extension cable for 60 series |
| AM-JB1 | NEMA 4X junction box |
| AM-PTR-8 | Electrode protector for -8 series sensor |
| AM-TEE-8 | 2" Union Tee with adaptor for -8 series sensor |
| AM-JET-8 | Jet cleaner for -8 series sensor |
| AM-SFL-8 | 2" Sanitary flange for -8 series sensor |

CALIBRATION SOLUTIONS

| | |
|------------|-------------------------------|
| AM-PH4-1P | pH 4 Buffer, 1 pint (500 mL) |
| AM-PH7-1P | pH 7 Buffer, 1 pint (500 mL) |
| AM-PH10-1P | pH 10 Buffer, 1 pint (500 mL) |

Ordering Information

| | |
|------------|-------------------------------------|
| P60R8-015 | pH sensor, 1-1/2" NPT threaded body |
| P60R8H-015 | pH sensor with Hard glass electrode |
| P60R8A-015 | pH sensor with Antimony electrode |
| P60R8F-015 | pH sensor with flat faced electrode |
| P60R8N-015 | pH sensor with 300NTC thermistor |

ANALYZERS

| | |
|-----------|-----------------------------|
| AM-2250 | Multi-Parameter Controller |
| AM-2250TX | Multi-Parameter Transmitter |
| AM-2251 | Multi-Parameter Controller |