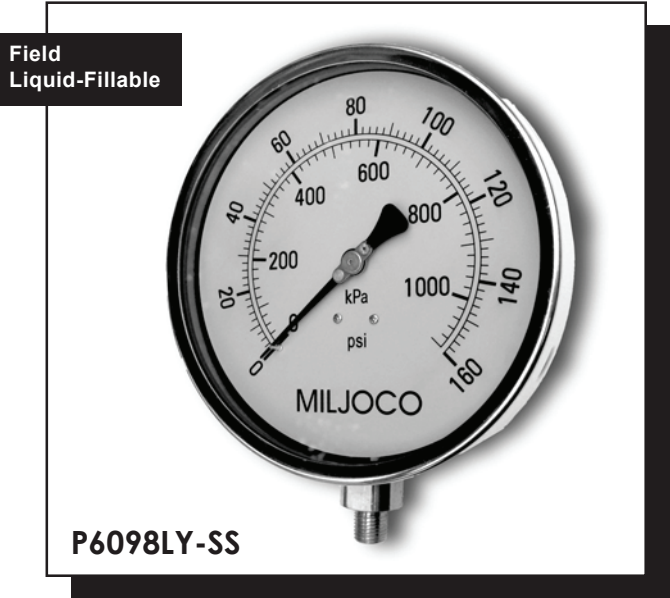


INDUSTRIAL GAUGE

±1% Accuracy

6" Dial - Stainless Steel Wetted Parts - Dry or Liquid Filled

The Miljoco Models P6098LY-SS & PLF6098LY-SS are attractively-priced gauges for applications where the process fluid requires stainless steel wetted components. This industrial gauge features a stainless steel case and can be filled with glycerine or silicone to prolong the life of the internal mechanism when exposed to vibration. It is calibrated to 1% full scale accuracy and is suitable for many industrial processing applications. **CAUTION: A coil syphon must be installed on the connection when used on steam applications.**

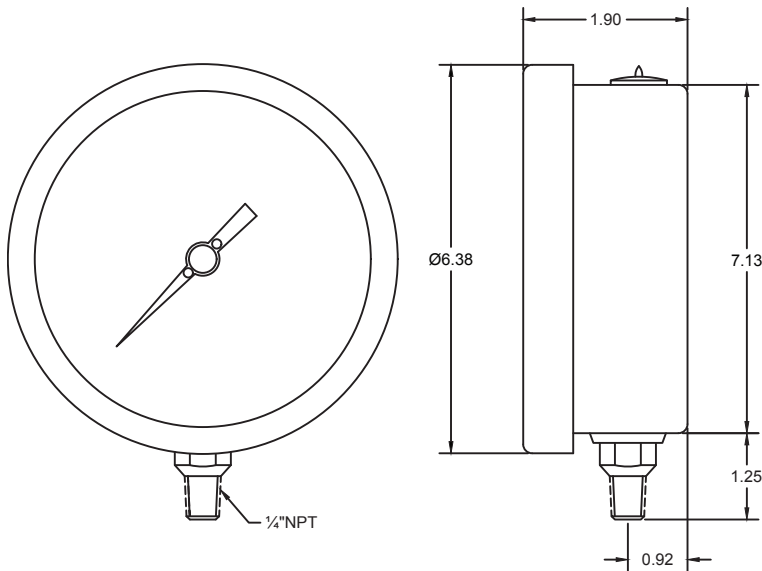


P6098LY-SS

General Specifications

- CASE:** 300 series stainless steel.
- RING:** 300 series stainless steel, bayonet type with gasket.
- LENS:** Polycarbonate.
- DIAL:** Aluminum, white finished with black markings.
- POINTER:** Aluminum, black, micro-adjustable.
- MOVEMENT:** Stainless steel, rotary type.
- TUBE & SOCKET:** 316 Stainless steel.
- CONNECTION:** 1/4" NPT bottom outlet.
- ACCURACY:** ±1% Full Scale (ASME B40.100 Grade 1A).
- PROCESS TEMPERATURE:** P6098LY-SS: -40 to 250°F (-40 to 120°C), PLF6098LY-SS: 0 to 140°F (-18 to 60°C).
- AMBIENT TEMPERATURE:** P6098LY-SS: -40 to 140°F (-40 to 60°C), PLF6098LY-SS: 0 to 140°F (-18 to 60°C).

Dimensions (in.)



Options

- Glycerine Fill (Model PLF6098LY-SS)
- Silicone Fill (Model PSF6098LY-SS)

Standard Ranges

Code	Range	PSI		kPa	
		Fig.	Div.	Fig.	Div.
001	30" Hg-0/-100-0 kPa	5	0.5	10	2
002	30"Hg-0-15 psi / -100-100 kPa	10/5	1/0.5	20	2
003	30"Hg-0-30 psi / -100-200 kPa	10/5	1/0.5	50	5
004	30"Hg-0-60 psi / -100-400 kPa	10/10	2/1	100	10
005	30"Hg-0-100 psi / -100-700 kPa	30/20	2/2	200	10
006	30"Hg-0-150 psi / -100-1000 kPa	30/20	5/2	200	20
008	30"Hg-0-300 psi / -100-2000 kPa	30/50	10/5	500	20
02	0-15 psi / 0-100 kPa	3	0.2	10	2
03	0-30 psi / 0-200 kPa	5	0.5	50	5
04	0-60 psi / 0-400 kPa	10	1	100	10
05	0-100 psi / 0-700 kPa	10	2	100	20
06	0-160 psi / 0-1100 kPa	20	2	200	20
07	0-200 psi / 0-1400 kPa	20	2	200	20
08	0-300 psi / 0-2000 kPa	50	5	500	50
09	0-400 psi / 0-3000 kPa	50	5	500	50
10	0-600 psi / 0-4000 kPa	50	10	1000	50
11	0-1000 psi / 0-7000 kPa	100	20	1000	100
19	0-1500 psi / 0-10,000 kPa	200	20	2000	200
12	0-2000 psi / 0-14,000 kPa	200	20	2000	200
13	0-3000 psi / 0-20,000 kPa	300	20	5000	200
14	0-5000 psi / 0-35,000 kPa	500	50	5000	500

To Order

P 6 0 9 8 L Y 0 8 S S
 Model Number Range Code SS Internals

Specify Model Number PLF6098LY-SS for glycerine fill or PSF6098LY-SS for silicone fill.

200 Elizabeth St. Mt. Clemens, MI 48043

Ph: 888.888.1498 Fax: 586.777.7891 www.miljoco.com

