

PTC-16-A



Multifunction Digital Timer



- 4 digit backlit LCD display digital timer
- 24 programmable timing modes
- 0-9999sec or 0-9999min time ranges
- 24 to 240Vac/dc powered
- 1 changeover and 1 N/O relay output
- Easy to programme through front keys
- Status and timing indicators
- EEPROM memory (minimum 10 years)
- IP20 enclosure code
- DIN rail mounting
- 2 module 36mm width
- Clear hinged tamperproof cover
- CE and RoHS compliant

The Omega PTC-16-A digital timer is a 4 digit multifunction, multi-time range timer suitable for controlling the operation of equipment, machinery, systems or processes in a wide range of industrial applications.

This dual digital timer has two relay outputs which can be configured as two independent timed outputs. A choice of 24 timing function modes can be selected for each of the outputs, together with a time range from 1 second to 9999 minutes.

The output contacts are fully isolated from the supply voltage.

These timers are housed in a compact DIN rail mounting enclosure measuring only 36mm in width and are powered from a wide range of 24 to 240Vac/dc.

Specifications

Accuracy: $\pm 3\text{sec}/24\text{hours}$

Power Supply Voltage:

24 to 240Vac

Burden: $<3\text{VA}$

Frequency: 50/60Hz

Time Ranges:

0 to 9999sec

0 to 9999min

Relay Output: Single pole changeover contact and single pole N/O contact

Contact Rating:

OP1 8A at 250Vac/30Vdc (resistive)

OP2 8A at 250Vac/30Vdc (resistive)

Electrical Contact Life:

100,000 operations

Reset Time:

100ms approx.

Mechanical

Enclosure: Panel mounting to DIN 43700, Self extinguishing plastic case
Plug in connection terminals

Enclosure Code:

Case IP20

Weight: 140g



Environmental

Operating Temperature:

-5°C to 45°C (23°F to 113°F)

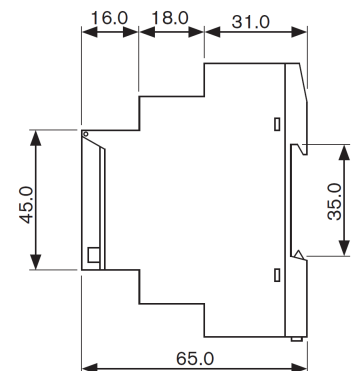
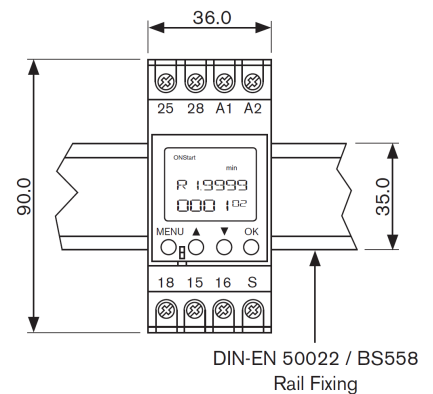
Storage Temperature:

-10°C to 55°C (14°F to 131°F)

General

Markings: CE marked

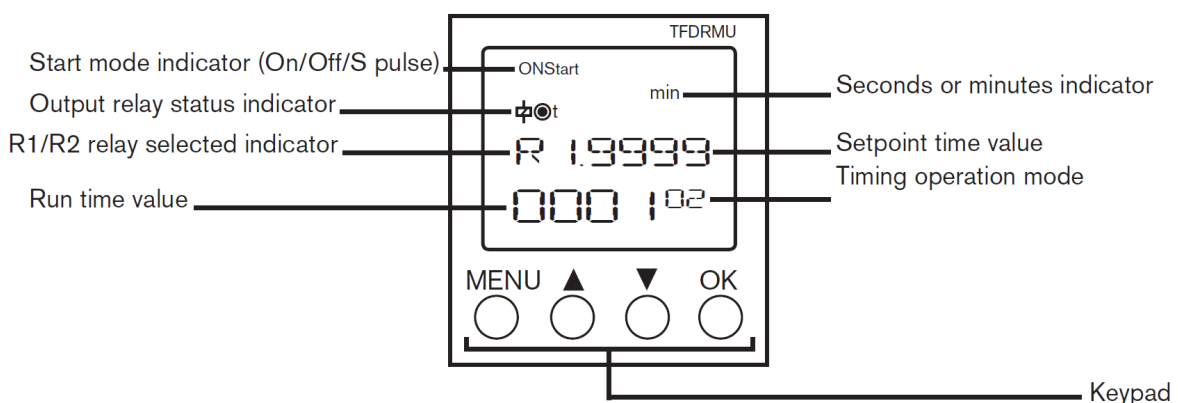
(meets EN61010-1:2010 low voltage and EN61326-1:2013 EMC directives)



Timing Modes

Timing Mode	Timing Function Description	Start Mode
Mode 01	Delay on Energise (On Delay)	Starts when power applied
Mode 02	Interval	Starts when power applied
Mode 03	Delayed Cycling with Equal On and Off Time	Starts when power applied
Mode 04	Immediate Cycling with Equal On and Off Time	Starts when power applied
Mode 05	Delayed Pulse (0.5 second)	Starts when power applied
Mode 06	Interval (Close to Start)	Close to Start
Mode 07	Interval (Open to Start)	Open to Start
Mode 08	Delay On Delay Off	Close to Start
Mode 09	Bistable with Time Limit	Close to Start, Close again to Stop
Mode 10	Delay on De-Energise (Re-triggerable)	Close to Start, Open for Time Delay
Mode 11	Delay on De-Energise (Non re-triggerable)	Close to Start, Open for Time Delay
Mode 12	Delay on Energise	Pulse to Start
Mode 13	Output Permanently On	Starts when power applied
Mode 14	Output Permanently Off	Starts when power applied
Mode 15	Single Delayed Cycle with Variable On and Off Times	Starts when power applied
Mode 16	Single Immediate Cycle with Variable On and Off Times	Starts when power applied
Mode 17	Delayed Cycling with Variable On and Off Times	Starts when power applied
Mode 18	Immediate Cycling with Variable On and Off Times	Starts when power applied
Mode 19	Delay On Delay Off with Variable Off and On Times	Close to Start (Re-triggerable)
Mode 20	Delay On Delay Off with Variable Off and On Times	Close to Start (Non Re-triggerable)
Mode 21	Interval with Alternate Time Duration	Close to Start
Mode 22	Delay Off Delay On	Close to Start
Mode 23	Delay on Energise followed by Independent Interval	Close to Start
Mode 24	Interval followed by Independent Delay on De-Energise	Close to Start

Front Panel Display Functions



To Order

P/N	Description
PTC-16-A	Multifunction Digital Timer 24-240Vac/dc