

NON-METALLIC FIBERGLASS WALL MOUNT ENCLOSURES

NEMA 4X (IP66) FIBERGLASS JUNCTION BOXES

**OM-AM
Control Series**



OM-AM30240RTW,
fiberglass enclosure
with stainless steel
hinge, viewing window
and padlocking twist
latch (front view)
shown smaller than
actual size.



- **Protect Controls and Components Indoors or Outdoors**
- **Suited for Higher Temperatures or Corrosive Environments**
- **UL 94 Flammability Rating**
- **UV Stabilized for Outdoor Use**
- **304 SS Hardware and Continuous Hinge**
- **Available with Window for Component Viewing or Monitoring**
- **Optional Sub-Panels**
- **Raised Cover Models Provide Added Depth for Optional Front Panel**



OM-AM24208RL,
fiberglass enclosure with
stainless steel hinge and
padlocking snap latch
(front view) shown smaller
than actual size.

OM-AM Control Series non-metallic fiberglass enclosures are designed to insulate and protect electrical controls and components in both indoors and outdoors applications and are especially well suited for higher temperatures and corrosive environments. These NEMA 4X (IP66) fiberglass electrical cabinets have a raised cover for added depth and a variety of latching options that allow you to provide the level of security or ease of access needed for each application.

CONSTRUCTION

- **Fiberglass Reinforced Polyester Formulation**
- **Closed Cell Neoprene Seal Designed for NEMA 4X (IP66) Rating**
- **Molded-In Hinge and Latch Keeper Designs Eliminate Wall Penetrations**
- **304 SS Hardware, Mounting Feet Included with SS Screws**

SPECIFICATIONS

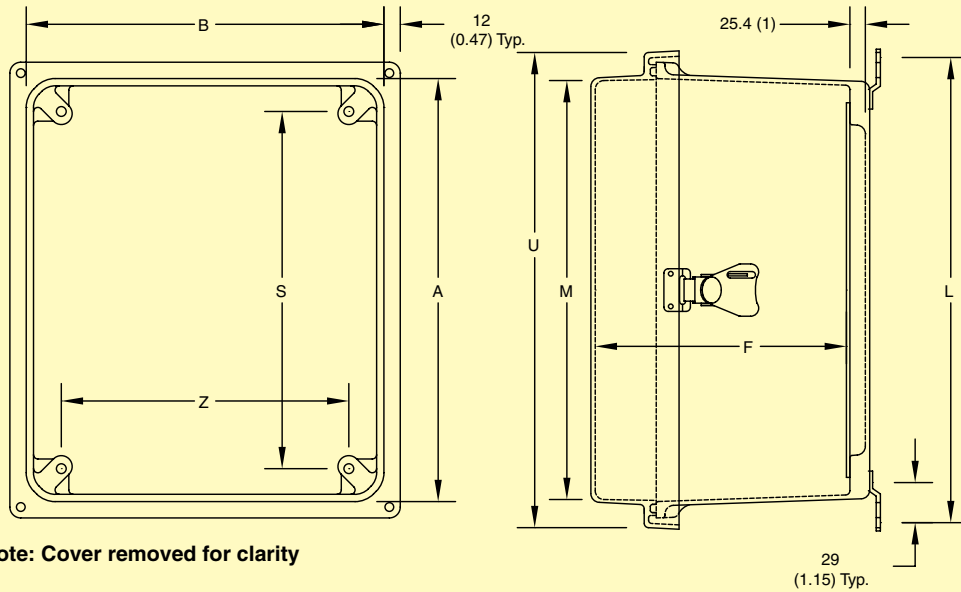
Service Temperature Rate: -35 to 135°C (-31 to 266°F)

STANDARDS:

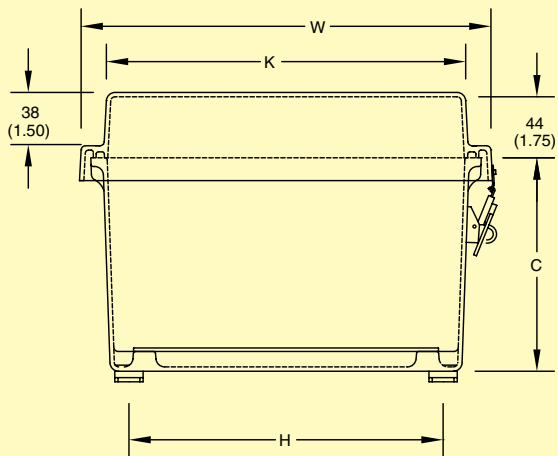
UL Types: 1, 2, 3, 4, 4X, 12 and 13
CSA Types: 1, 2, 3, 3R, 4, 4X, 12 and 13
NEMA Types: 1, 2, 3, 3R, 4, 4X, 12 and 13
IEC Type: IP66

DIMENSIONS: mm (inch)

MODEL NO.	BOX SIZE			USABLE DEPTH F	PANEL BOSS CENTERS		FOOT MOUNT CENTERS		COVER SIZE			
	A	B	C		S	Z	H	L	K	M	U	W
OM-AM24208	610 (24)	508 (20)	207 (8.13)	217 (8.56)	489 (19.25)	387 (15.25)	476 (18.75)	682 (26.85)	512 (20.16)	614 (24.16)	650 (25.59)	548 (21.59)
OM-AM24248	610 (24)	610 (24)	207 (8.13)	217 (8.56)	489 (19.25)	489 (19.25)	578 (22.75)	682 (26.85)	614 (24.16)	614 (24.16)	650 (25.59)	650 (25.59)
OM-AM30248	762 (30)	610 (24)	207 (8.13)	217 (8.56)	641 (25.25)	489 (19.25)	578 (22.75)	834 (32.85)	614 (24.16)	766 (30.16)	802 (31.59)	650 (25.59)
OM-AM24200	610 (24)	508 (20)	257 (10.13)	268 (10.56)	489 (19.25)	387 (15.25)	476 (18.75)	682 (26.85)	512 (20.16)	614 (24.16)	650 (25.59)	548 (21.59)
OM-AM24240	610 (24)	610 (24)	257 (10.13)	268 (10.56)	489 (19.25)	489 (19.25)	578 (22.75)	682 (26.85)	614 (24.16)	614 (24.16)	650 (25.59)	650 (25.59)
OM-AM30240	762 (30)	610 (24)	257 (10.13)	268 (10.56)	641 (25.25)	489 (19.25)	578 (22.75)	834 (32.85)	614 (24.16)	766 (30.16)	802 (31.59)	650 (25.59)



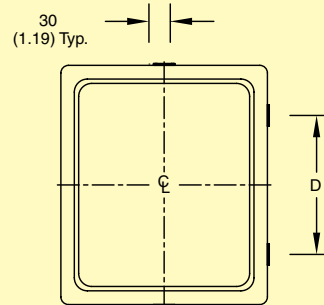
Note: Cover removed for clarity



Nominal 3 (1/8) wall thickness

Latch locations

- For use on:
- 24x20x8 D=406 (16.00)
 - 24x24x8 D=406 (16.00)
 - 30x24x8 D=507 (19.98)
 - 24x20x10 D=406 (16.00)
 - 24x24x10 D=406 (16.00)
 - 30x24x10 D=507 (19.98)



Dimensions: mm (inch)



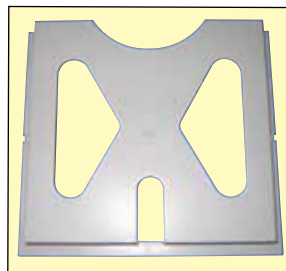
OM-AM24208RTW, fiberglass enclosure with stainless steel hinge, viewing window and padlocking twist latch shown with OM-HFP2420, front dead panel sold separately.



Key lock kit with water tight cover.



Pole mount kit for up to 15" diameter pole.



OM-AMPRINTPOCKET, print pocket with adhesive tape.

Pole mount kits are 14 gauge (0.075") galvanized steel with 48" SS pole clamp and includes #10-32 SS screws, washers and lock nuts.

To Order				
SNAP LATCHES MODEL NO.	TWIST LATCHES MODEL NO.	HEIGHT	DIMENSIONS: (INCH) WIDTH	DEPTH
OM-AM24208RL	OM-AM24208RT	24	20	8
OM-AM24208RLW	OM-AM24208RTW	24	20	8
OM-AM24200RL	OM-AM24200RT	24	20	10
OM-AM24200RLW	OM-AM24200RTW	24	20	10
OM-AM24248RL	OM-AM24248RT	24	24	8
OM-AM24248RLW	OM-AM24248RTW	24	24	8
OM-AM24240RL	OM-AM24240RT	24	24	10
OM-AM24240RLW	OM-AM24240RTW	24	24	10
OM-AM30248RL	OM-AM30248RT	30	24	8
OM-AM30248RLW	OM-AM30248RTW	30	24	8
OM-AM30240RL	OM-AM30240RT	30	24	10
OM-AM30240RLW	OM-AM30240RTW	30	24	10

Note: Includes 304 SS mounting feet.

SUB-PANELS

FIBERGLASS MODEL NO.	ALUMINUM	STEEL	
OM-PF2420	OM-PA2420	OM-P2420	Sub-panel for 24 x 20" enclosure
OM-PF2424	OM-PA2424	OM-P2424	Sub-panel for 24 x 24" enclosure
OM-PF3024	OM-PA3024	OM-P3024	Sub-panel for 30 x 24" enclosure

MODEL NO.	DESCRIPTION
OM-HFP2420	Front-panel for 24 x 20" control series enclosure
OM-HFP2424	Front-panel for 24 x 24" control series enclosure
OM-HFP3024	Front-panel for 30 x 24" control series enclosure
OM-AMPOLEMNT20	Pole mount kit for 20" wide fiberglass enclosures
OM-AMPOLEMNT24	Pole mount kit for 24" wide fiberglass enclosures
OM-AMPRINTPOCKET	Print pocket with adhesive tape 9.375 H x 10.375 W x 1.045" D
OM-AMKEYLOCKRC	Key lock kit for raised cover enclosures, 6 x 6 thru 30 x 24"
OM-AMKEYLOCKRCHFP	Key lock kit for raised cover enclosures with front panels, 10 x 8 thru 30 x 24"

Ordering Examples: OM-AM24208RL, raised cover fiberglass enclosure with snap latches, 24 H x 20 W 8" D.

OM-AM24200RTW, raised cover fiberglass enclosure with UV resistant polycarbonate viewing window and twist latches 24 H x 20 W 10" D and OM-P2420, steel sub-panels for 24 x 20 enclosure.