

NON-METALLIC FIBERGLASS JUNCTION BOXES NEMA 4X

OM-AM J Box Series



OM-AM743SF

OM-AM943SF

- Suited for Higher Temperatures or Corrosive Environments
- Protect Controls and Components Indoors or Outdoors
- UV Stabilized for Outdoor Use
- Optional Sub-Panels for Fiberglass Boxes

The OM-AM J Box Series non-metallic junction boxes are designed to insulate and protect electrical controls and components in both indoor and outdoor applications and are especially well suited for corrosive environments.

SPECIFICATIONS

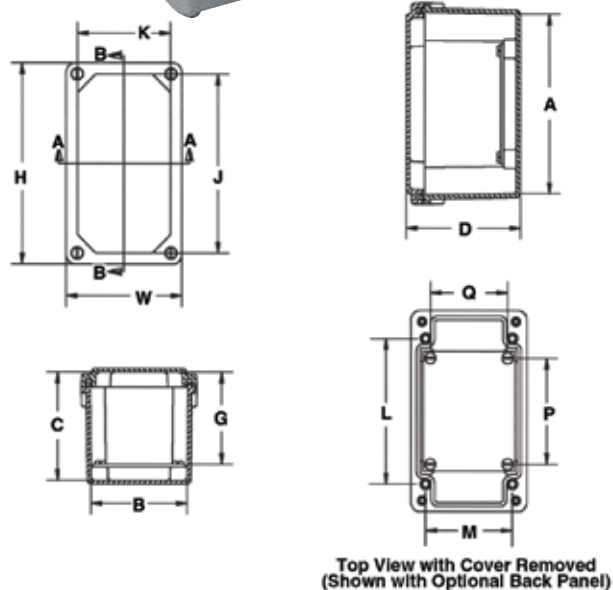
Standards:

UL Types: 1, 2, 3, 4, 4X, 12 and 13

CSA Types: 1, 2, 3, 3R, 4, 4X, 12 and 13

NEMA Types: 1, 2, 3, 3R, 4, 4X, 12 and 13

IEC: Type IP66



DIMENSIONS

MODEL NO.	OVERALL mm (inch)			INSIDE mm (inch)									
	H	W	D	A	B	C	G	J	K	L	M	P	Q
OM-AM743 OM-AM743SF*	171 (6.74)	100 (3.93)	99 (3.88)	153 (6.01)	83 (3.26)	92 (3.63)	78 (3.08)	156 (6.13)	84 (3.31)	124 (4.88)	75 (2.94)	90 (3.56)	67 (2.63)
OM-AM943 OM-AM943SF*	228 (8.99)	100 (3.93)	99 (3.88)	210 (8.26)	83 (3.26)	92 (3.63)	78 (3.08)	211 (8.31)	84 (3.31)	181 (7.13)	75 (2.94)	148 (5.81)	67 (2.63)

To Order

JUNCTION BOXES				SUB-PANELS
MODEL NO.	HEIGHT (inch)	WIDTH (inch)	DEPTH (inch)	ALUMINUM
OM-AM743	6.75	4	3.88	OM-PA74
OM-AM743SF	6.75	4	3.88	OM-PA74
OM-AM943	9	4	3.88	OM-PA94
OM-AM943SF	9	4	3.88	OM-PA94

* "SF" models do not include SS mounting feet.

Ordering Examples: OM-AM743, fiberglass junction box with SS mounting feet, 7 H x 4 W x 3" D and OM-PA74, sub-panel for 6.75 x 4" junction box. OM-AM943SF, fiberglass junction box without mounting feet, 9 H x 4 W x 3.88" D.