

TOP AND BOTTOM MOUNTING PLATES FOR LCM1001/LCM1011 SERIES LOAD CELLS—ALLOY, NICKEL-PLATED STEEL OR 17-4 PH STAINLESS STEEL

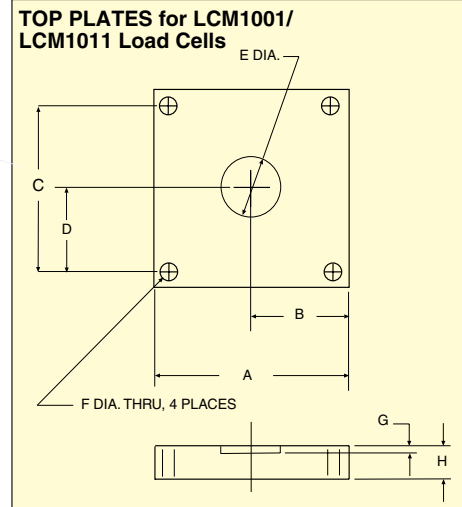
Top Mounting Plates 250 kgf to 25,000 kgf

1 Newton = 0.2248 lb
1 daNewton = 10 Newtons
1 lb = 454 g
1 t = 1000 kg = 2204 lb

LCM1000-TP4 Series



LC1000-TP4 top plates shown smaller than actual size.



To Order Visit omega.com/lcm1000-bp4_lcm1000-tp4 for Pricing and Details

Dimensions: mm (inch)

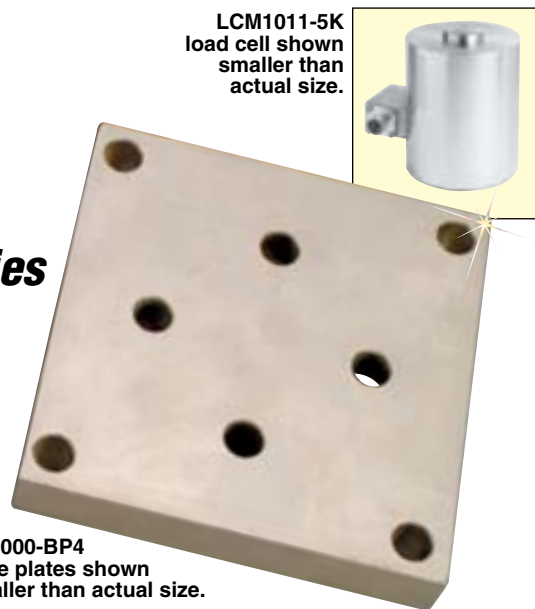
CAPACITY kgF	NI PLATED STEEL	STAINLESS STEEL	A	B	C	D	E	F	G	H
250 to 25,000	LCM1000-TP4	LCM1000-TP4-SS	114 (4.50)	57 (2.25)	95 (3.75)	46 (1.88)	38 (1.50)	10 (0.41)	3.2 (0.125)	19 (0.75)

Ordering Examples: **LCM1000-TP4-SS**, stainless steel top plate for LCM1001/LCM1011 load cells with 250 to 25,000 kgf range.
LCM1000-TP4, nickel-plated steel top plate for LCM1001/LCM1011 load cells with 250 to 25,000 kgf range.

Bottom Mounting Plates 0-250 kgf to 0-25,000 kgf

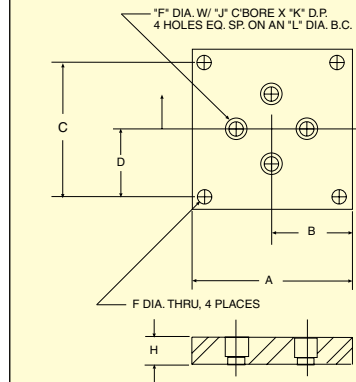
1 Newton = 0.2248 lb
1 daNewton = 10 Newtons
1 lb = 454 g
1 t = 1000 kg = 2204 lb

LCM1000-BP4 Series



LC1000-BP4 base plates shown smaller than actual size.

BOTTOM PLATES for LCM1001/ LCM1011 Load Cells



CAPACITY kgF	PLATED STEEL	STAINLESS STEEL	A	B	C	D	F	H	J	K	L
250 to 25,000	LCM1000-BP4	LCM1000-BP4-SS	114 (4.50)	57 (2.25)	95 (3.75)	46 (1.88)	10 (0.41)	19 (0.750)	16 (0.625)	15 (0.59)	60 (2.38)

Ordering Examples: **LCM1000-BP4-SS**, stainless steel base plate for LCM1001/LCM1011 load cells with 250 to 25,000 kgf range.
LCM1000-BP4, plated steel base plate for LCM1001/LCM1011 load cells with 250 to 25,000 kgf range.