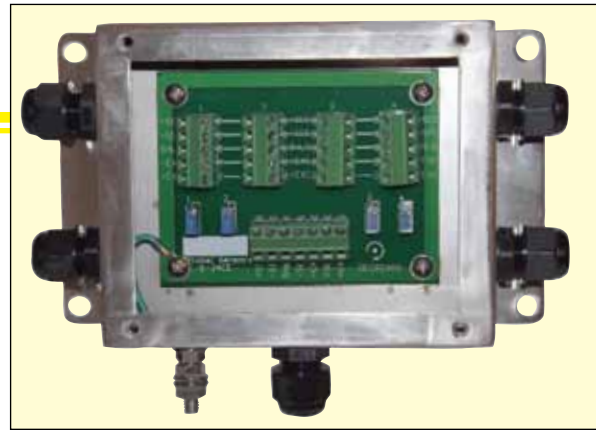


SUMMING BOX FOR MULTIPLE LOAD CELLS

SUMS 2, 3, OR 4 LOAD CELLS

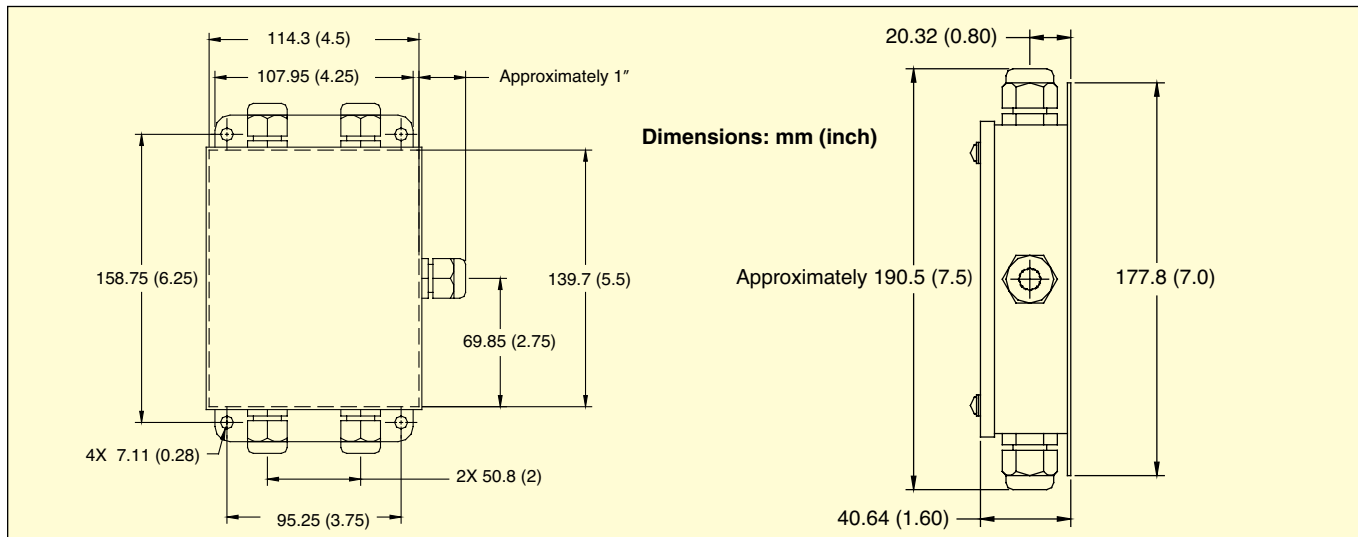
JBOX4-ET



JBOX4-ET shown smaller than actual size.

- ✓ Heavy-Duty Stainless Steel
- ✓ Sealed, Gasketed Enclosure
- ✓ Excitation Trim for Easy Setup

A load cell summing box (also known as a J-box) accepts inputs from multiple load cells and combines their outputs into one output that represents the total load. All load cells should have the same capacity and outputs within 3.2% of each other. For larger variances, resistors must be added. Load cells that are trimmed to 0.25% interchangeability or that have output tolerances of less than $\pm 3.2\%$ will work without additional resistors.



To Order

MODEL NO.	DESCRIPTION
JBOX4-ET	Excitation trim; sums 2, 3 or 4 load cells
JBOX4-ST	Signal trim; sums 2, 3 or 4 load cells

Ordering Example: JBOX4-ET, excitation-trim stainless steel summing box for 2, 3 or 4 load cells.