



I-7561

USB to Isolated RS-232/422/485 Converter

Features

- Fully Compliant with the USB 1.1/2.0 (High Speed)
- No External Power Supply is required as the I-7561 is powered from the USB Bus
- Baud Rate, 300 – 115200 bps
- 3000 V_{DC} Isolation Protection on the RS-232/422/485 side
- ESD Protection for the RS-232/422/485 Data Line
- Operating Temperatures, -25 °C – +75 °C
- Driver Supports Windows 98/ME/2000/XP/Vista (32-bit)/Linux
- DIN-Rail



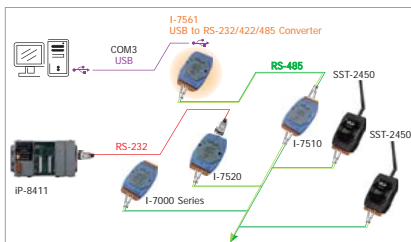
Introduction

The I-7561 is a cost-effective module for transferring serial data via USB. It allows you to connect your serial devices to systems that use a USB interface. Connecting the I-7561 to a PC, you get one RS-232/422/485 port. Like the I-7520A, the I-7561 contains "Self Tuner" chip auto-tunes the Baud Rate and data format to the RS-485 network. The I-7561 module derives its power from the USB port and doesn't need any power adapter. It also features a high-speed 115.2 kbps transmission rate, and supports various O.S. independent RS-232/422/485 Ports.

Software

| |
|--|
| Driver |
| Windows 98/ME/2000/XP/Vista (32-bit)/Linux |

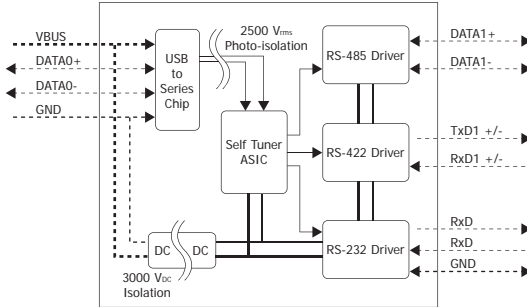
Applications



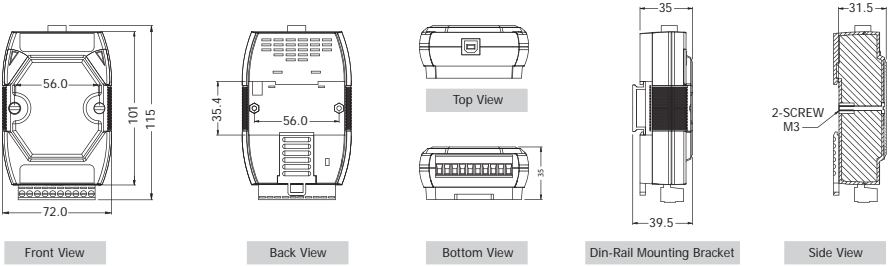
Specifications

| | | |
|----------------------------------|----------------|---|
| Interface | | |
| USB | | Compatibility: USB 1.1 and 2.0 standards |
| Serial Interface | RS-232 | TxD, RxD, GND |
| | RS-422 | TxD+, TxD-, RxD+, RxD- |
| | RS-485 | Data+, Data- |
| 2-wire cabling/4-wire cabling | | Belden 8941 (2P twisted-pair cable)/Belden 8942 (4P twisted-pair cable), if different cables are used, the transmission distance may change |
| RS-422/485 Transfer Distance | | Max. 1,200 m at 9.6 kbps; Max. 400 m at 115.2 kbps |
| Maximum Supported RS-485 Devices | | 256 (Without repeater) |
| Self-Tuner Asic Inside (RS-485) | | Yes |
| Speed | | 300 – 115200 bps |
| Connection | RS-232/422/485 | Removable 10-Pin Terminal Block |
| | USB | Type B |
| Cable Included | | CA-USB18 (1.8 m Cable) x 1 |
| LED Indicators | | |
| Power | | Yes |
| Power | | |
| Input Voltage Range | | +5 V _{DC} from USB |
| Power Consumption | | 0.5 W |
| Mechanical | | |
| Casing | | Plastic |
| Flammability | | Fire Retardant Materials (UL94-V0 Level) |
| Dimensions (W x H x D) | | 72 mm x 115 mm x 35 mm |
| Installation | | DIN-Rail |
| Environment | | |
| Operating Temperature | | -25 °C – +75 °C |
| Storage Temperature | | -30 °C – +75 °C |
| Humidity | | 10 – 90% RH, non-condensing |

Internal I/O Structure



Dimensions (Unit: mm)



Pin Assignments



| Terminal No. | Pin Assignment |
|--------------|-----------------|
| RS-485 | 01 DATA+ |
| | 02 DATA- |
| | 03 TxD+ |
| | 04 TxD- |
| RS-422/485 | 05 Rx/D+/DATA2+ |
| | 06 Rx/D-/DATA2- |
| | 07 Tx/D |
| | 08 Rx/D |
| RS-232 | 09 (B)GND |
| | 10 (B)GND |

Ordering Information

| | |
|---------------|---|
| I-7561 CR | USB to RS-232/422/485 Converter (RoHS) |
| I-7561-G CR | USB to RS-232/422/485 Converter (Gray Cover) (RoHS) |
| Include Cable | CA-USB18 (1.8 m Cable) x 1 |

Accessories

| | |
|-------------|-------------------------------|
| USB-2560 CR | Industrial 4-port USB 2.0 Hub |
| CA-USB18 | USB Type A to Type B Cable |