

HIGH TEMPERATURE GAS APPLICATIONS TO 649°C (1200°F)

GCHIS, GCHISB
and GCHISR Series

See Next Page
for Dimensions



GCHIS-27-050P-E1/240
shown smaller
than actual size.

To Order									
kW	Volts	Ckt & Phase	Dimensions (inch)			Model No.	Weight (lb)		
			A	B	C				
Series 03—3", 150 lb 304 stainless steel vessel—3 INCOLOY elements (15 W/in²) with side mounted thermostat (200 to 550°F)—1" NPT pipe inlet and outlet¹									
2	240	1-3	33 ³ / ₄	22 ¹ / ₂	16 ¹ / ₂	GCHISR-03-002P-E1/240	62		
2	480	1-3	33 ³ / ₄	22 ¹ / ₂	16 ¹ / ₂	GCHISR-03-002P-E1/480	62		
4	240	1-3	55 ³ / ₄	45	36	GCHISR-03-004P-E1/240	94		
4	480	1-3	55 ³ / ₄	45	36	GCHISR-03-004P-E1/480	94		
Series 06—5", 150 lb 304 stainless steel vessel—6 INCOLOY elements (15 W/in²) with side mounted thermostat (200 to 550°F)—2" NPT pipe inlet and outlet¹									
4	240	1-3	41 ³ / ₄	30	11 ¹ / ₂	GCHISR-06-004P-E1/240	135		
4	480	1-3	41 ³ / ₄	30	11 ¹ / ₂	GCHISR-06-004P-E1/480	135		
8	240	1-3	48 ³ / ₄	37	14 ¹ / ₂	GCHISR-06-008P-E1/240	164		
8	480	1-3	48 ³ / ₄	37	14 ¹ / ₂	GCHISR-06-008P-E1/480	164		
12	240	1-3	60 ³ / ₄	48 ¹ / ₂	20 ¹ / ₂	GCHISR-06-012P-E1/240	195		
12	480	1-3	60 ³ / ₄	48 ¹ / ₂	20 ¹ / ₂	GCHISR-06-012P-E1/480	195		
15	240	1-3	73 ³ / ₄	61 ¹ / ₂	27 ¹ / ₂	GCHISR-06-015P-E1/240	215		
15	480	1-3	73 ³ / ₄	61 ¹ / ₂	27 ¹ / ₂	GCHISR-06-015P-E1/480	215		
20	240	1-3	86 ³ / ₄	74 ¹ / ₂	33 ¹ / ₂	GCHISR-06-020P-E1/240	253		
20	480	1-3	86 ³ / ₄	74 ¹ / ₂	33 ¹ / ₂	GCHISR-06-020P-E1/480	253		
Series 06—5", 150 lb 304 stainless steel vessel—6 INCOLOY elements (23 W/in²) with side mounted thermostat (200 to 550°F)—2" NPT pipe inlet and outlet¹									
25	240	2-3	73 ³ / ₄	61 ¹ / ₂	27 ¹ / ₂	GCHIS-06-025P-E1/240	195		
25	480	1-3	73 ³ / ₄	61 ¹ / ₂	27 ¹ / ₂	GCHIS-06-025P-E1/480	195		
30	240	2-3	86 ³ / ₄	74 ¹ / ₂	33 ¹ / ₂	GCHIS-06-030P-E1/240	240		
30	480	1-3	86 ³ / ₄	74 ¹ / ₂	33 ¹ / ₂	GCHIS-06-030P-E1/480	240		
Series 18—8", 150 lb 304 stainless steel vessel—18 baffled INCOLOY elements¹ (23 W/in²)									
30	240	3-3	50 ¹ / ₂	28 ¹ / ₂	25	GCHISB-18-030P-E1/240	340		
30	480	3-3	50 ¹ / ₂	28 ¹ / ₂	25	GCHISB-18-030P-E1/480	340		
40	240	3-3	54 ⁵ / ₁₆	32 ¹ / ₁₆	29 ⁹ / ₁₆	GCHISB-18-040P-E1/240	410		
40	480	3-3	54 ⁵ / ₁₆	32 ¹ / ₁₆	29 ⁹ / ₁₆	GCHISB-18-040P-E1/480	410		
50	240	3-3	61 ¹ / ₁₆	39 ¹ / ₁₆	36 ⁵ / ₁₆	GCHISB-18-050P-E1/240	480		
50	480	3-3	61 ¹ / ₁₆	39 ¹ / ₁₆	36 ⁵ / ₁₆	GCHISB-18-050P-E1/480	480		
Series 27—10", 150 lb stainless steel vessel—27 INCOLOY elements¹ (20 W/in²)									
50	240	3-3	56 ⁹ / ₁₆	31	27 ¹ / ₂	GCHIS-27-050P-E1/240	340		
50	480	3-3	56 ⁹ / ₁₆	31	27 ¹ / ₂	GCHIS-27-050P-E1/480	340		
60	240	3-3	62 ⁹ / ₁₆	37	33 ¹ / ₂	GCHIS-27-060P-E1/240	370		
60	480	3-3	62 ⁹ / ₁₆	37	33 ¹ / ₂	GCHIS-27-060P-E1/480	370		
70	240	3-3	68 ⁹ / ₁₆	43	39 ¹ / ₂	GCHIS-27-070P-E1/240	400		
70	480	3-3	68 ⁹ / ₁₆	43	39 ¹ / ₂	GCHIS-27-070P-E1/480	400		
80	240	3-3	75 ⁹ / ₁₆	50	46 ¹ / ₂	GCHIS-27-080P-E1/240	430		
80	480	3-3	75 ⁹ / ₁₆	50	46 ¹ / ₂	GCHIS-27-080P-E1/480	430		
90	240	3-3	81 ⁹ / ₁₆	56	52 ¹ / ₂	GCHIS-27-090P-E1/240	543		
90	480	3-3	81 ⁹ / ₁₆	56	52 ¹ / ₂	GCHIS-27-090P-E1/480	560		
kW	Volts	Ckt & Phase	Dimensions (inch)					Model No.	Weight (lb)
			A	B	C	D	E		
Series 45—14", 150 lb stainless steel vessel—45 INCOLOY elements¹ (15 W/in²)									
90	480	3-3	76	57 ³ / ₁₆	66 ¹ / ₁₆	15	11 ¹ / ₂	GCHIS-45-090P-E1/90	925
125	480	3-3	91	72 ³ / ₁₆	81 ¹ / ₁₆	15	11 ¹ / ₂	GCHIS-45-125P-E1/125	1025
150	480	3-3	106	87 ³ / ₁₆	96 ¹ / ₁₆	15	11 ¹ / ₂	GCHIS-45-150P-E1/150	1125
175	480	3-3	121	102 ³ / ₁₆	111 ¹ / ₁₆	15	11 ¹ / ₂	GCHIS-45-175P-E1/175	1225
200	480	3-3	128 ¹ / ₂	109 ¹ / ₁₆	119 ¹ / ₁₆	15	11 ¹ / ₂	GCHIS-45-200P-E1/200	1325

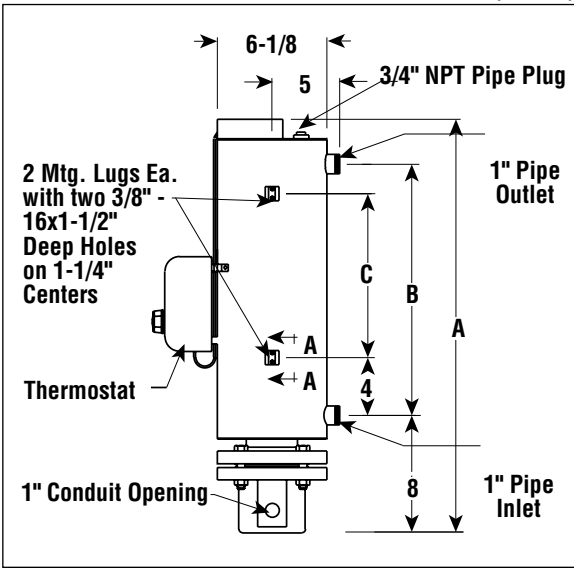
Recommended temperature limits for all GCH heaters with stainless steel vessels and INCOLOY® elements are 871°C (1600°F) maximum for the sheath temperature and 649°C (1200°F) maximum for the vessel temperature at 5 psi max pressure. Exceeding these recommendations will void the factory warranty. Outlet gas temperatures must be kept below both the maximum sheath and vessel temperatures or element and vessel damage may occur.

Note: Refer to the Controls section for side mounted controls or control panels.

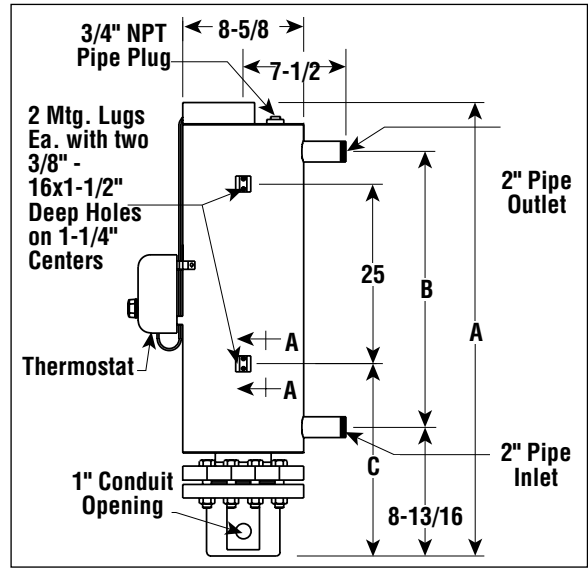
Ordering Example:
GCHISB-18-030P-E1/240/3P, series 18,
8", 150 lb, 3-phase, 240V unit.

GCHIS-03

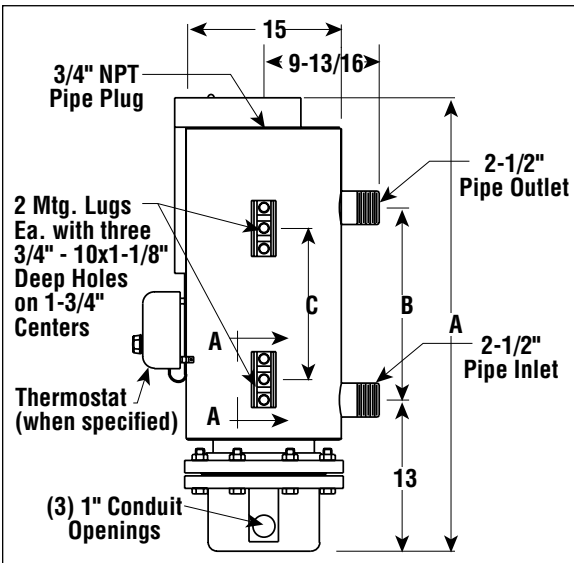
All Dimensions (inches)



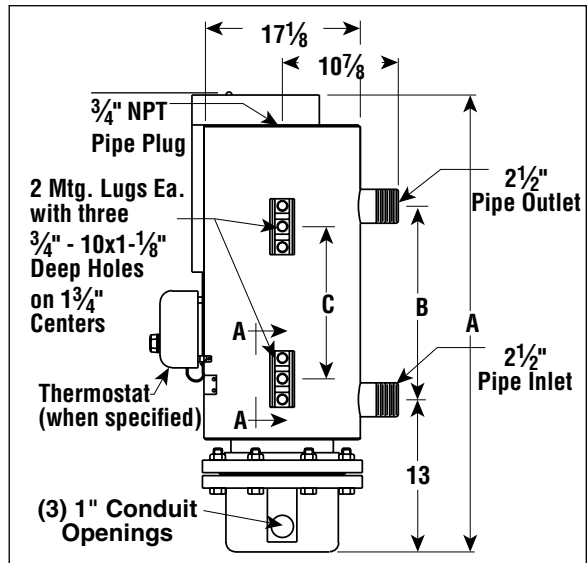
GCHIS-06



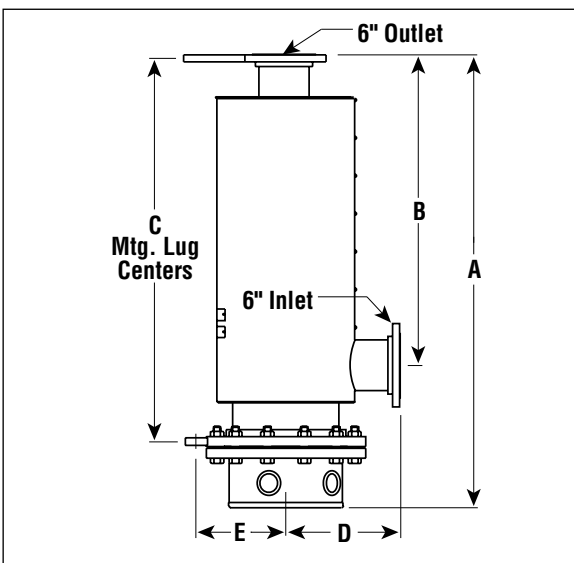
GCHISB-18



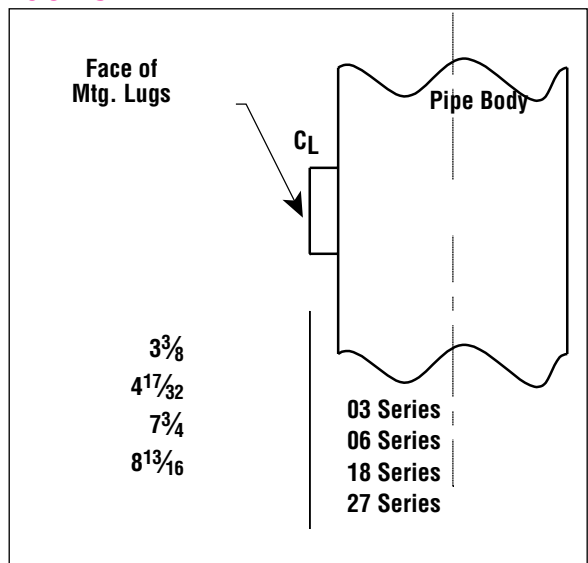
GCHIS-27



GCHIS-45



GCHIS-AA



G