



Paddle Flow Switch

FSW-160



FSW-160 shown larger than actual size.

- ✓ Multiple Quick-Change Paddles
- ✓ EPDM Seal
- ✓ Field Adjustable Set Points
- ✓ Direct Replacement for Most Paddle-Type Flow Switches
- ✓ High Flow Sensitivity
- ✓ Stainless Steel Paddles and Shaft
- ✓ NEMA 1 (IP10) Enclosure

The OMEGA® FSW-160 is the newest heavy-duty line of flow switches. The switch is used to signal, start, or stop electronically operated equipment when flow or no-flow conditions occur.

OMEGA's elastomeric sealing system is superior to the metal bellows that are subject to metal fatigue and corrosion. This seal system has been field-proven for over a decade. The FSW-160 can be used in pipes 1 inch and larger, with set-points as low as 4 GPM (15.2 LPM) to over 500 GPM (1893 LPM) in larger pipe sizes. The FSW160 uses a 15A SPDT micro switch that can control a ½ horsepower motor.

Specifications

Hysteresis (Δ Flow Rate to Activate/Deactivate Switch)

- 10% at upper end of flow range
- 30% at lower end of flow range

Differential Pressure Drops Across Unit Under Normal Operating Conditions:

- 1 to 3" pipe, less than 1 psi
- 4 to 48" pipe, negligible

Working Line Pressure:

200 psig maximum [proof tested to 1200 psig at 21°C (70°F)]

Working Temperature: 121°C (250°F) maximum continuous

Wetted Materials:

- Body and Lid:** Brass
- Shaft:** 304 stainless steel
- Paddle:** 316 stainless steel
- Seal:** EPDM

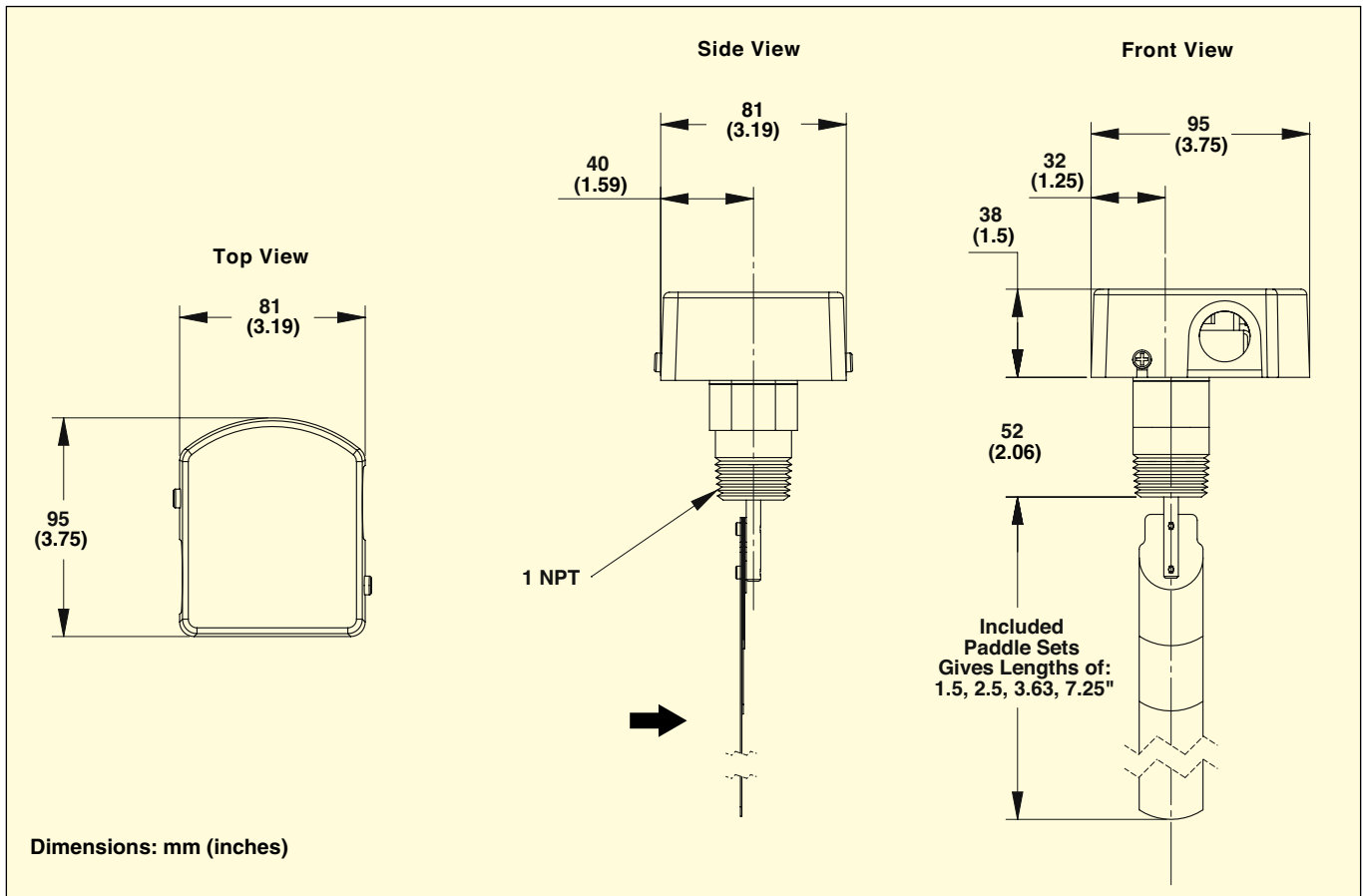
Electrical Switch Characteristics

SPDT 15 A, ½ hp at 125 or 250 Vac
0.5 A at 125 Vdc (tungsten lamp)
0.25 A @ 250 Vdc (tungsten lamp)



Model Selection Chart

Flow Range [Water Calibrated at 21°C (70°F)]				
Pipe Size	Switchpoint Range (GPM)			
	Minimum Adjustment		Maximum Adjustment	
	On	Off	On	Off
1	4	2	8	7
1½	7	5	13	11
2	12	7	27	26
2½	18	12	35	32
3	27	19	52	49
4	63	50	123	120
5	125	100	238	232
6	190	158	350	338



To Order	
Model No.	Description
FSW-160	Paddle flow switch brass 1 NPT, adjustable set-point

Comes complete with operator's manual.