

# LIQUID FLOW TRANSMITTERS

## With Available Visual Indication



FPR205-PC, shown smaller than actual size.

## FPR200 Series



- ✓ 2% FS Accuracy
- ✓ 0.5 to 50 GPM Range
- ✓ Visual Indication of Flow Pulse
- ✓ Simple Design
- ✓ 4 to 20 mA, Pulse or Relay Output
- ✓ Reverse Polarity Protection

### SPECIFICATIONS

**Accuracy:** 2% FS

**Repeatability:** 0.5% FS

**Temperature Range:**

**Stainless Steel Body:** -7 to 107°C  
(20 to 225°F)

**Polypropylene Body:** -7 to 65°C  
(20 to 150°F)

**Analog Output:** 4 to 20 mA

**Power Supply:** 12 to 35 Vdc

**Load Driving Capacity:** 1150 Ω max

**Response Time:** 2 s to 90% (step change in flow rate)

**Electrical Connection:** 3 m (10') cable

**Pulse Dry-Contact Output (-PS Models)**

**Maximum Voltage:** 5 to 24 Vdc

**Maximum Current:** 10 mA ac/dc

**Maximum Power:** 0.25 W

**Relay Output:** Form C (SPDT), rated 5A @ 120/240 Vac

**Wetted Parts for 316 SS Bodies**

**Casing:** 316 SS

**Cover:** Stainless steel or clear polycarbonate

**Seal:** Buna, EPR or FKM (optional)

**Turbine:** Acetal copolymer

**Bearing:** PEEK™

**Shaft:** Stainless steel Non-Wetted Parts for 316 SS Bodies

**Encapsulant:** Epoxy

**Strain Relief:** Nylon

**Lock Ring:** Stainless steel

**Wire Insulation:**

High-temperature PVC

**Max Viscosity:** 5 cps wetted parts for polypropylene bodies

**Sensor Body:** Glass-filled polypropylene

**Cover:** Clear polycarbonate

**Seal:** Buna

**Turbine:** Acetal copolymer

**Bearing:** PEEK

**Shaft:** Stainless steel

**Non-Wetted Parts for Polypropylene Bodies**

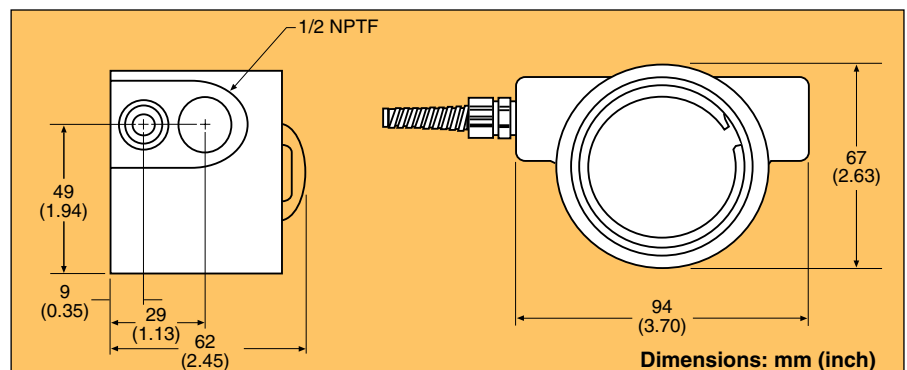
**Encapsulant:** Epoxy

**Strain Relief:** Nylon

**Lock Ring:** Glass-filled polypropylene

**Wire Insulation:** High-temperature PVC

The FPR-200 Series flow-rate sensor integrates rugged tangential turbine technology with a precision digital-to-analog conversion circuit hermetically encapsulated within the body of the sensor. This flow sensor is ideal for measuring flow rates in cooling circuits, HVAC systems, and batching operations.



FPR204P-PC,  
shown smaller  
than actual size.



<b>To Order</b>										
<b>316 SS Sensor Transmitter</b>										
Model No.	Connection NPT	Body Material/ Output	Visual Indicator	Max Pressure (PSIG)	Range					
					LPM	GPM				
FPR204-PC-PS	1/2	316 SS/ pulse dry contact	Y	200	1.9 to 18.9	0.5 to 5.0				
FPR204-PS			blind	500						
FPR204P-PC*		Polypropylene/ 4 to 20 mA	Y	150						
FPR204P-PC-PS		Polypropylene/ pulse dry contact	Y	150						
FPR205*		316 SS/ 4 to 20 mA	blind	500			5.7 to 56.8	1.5 to 15.0		
FPR205-PC*			Y	200						
FPR205-PC-PS		316 SS/ pulse dry contact	Y	200						
FPR205-PS			blind	500						
FPR205P-PC*		Polypropylene/ 4 to 20 mA	Y	150						
FPR205P-PC-PS		Polypropylene/ pulse dry contact	Y	150						
FPR203-PC-PS	3/4	316 SS/ pulse dry contact	Y	200	11.4 to 113.6	3.0 to 30.0				
FPR203-PS			blind	500						
FPR206*		316 SS/ 4 to 20 mA	blind	500					18.9 to 189.3	5.0 to 50.0
FPR206-PC*			Y	200						
FPR206-PC-PS		316 SS/ pulse dry contact	Y	200						
FPR206-PS			blind	500						
FPR207*	1	316 SS/ 4 to 20 mA	blind	500	18.9 to 189.3	5.0 to 50.0				
FPR207-PC*			Y	200						
FPR207-PS		316 SS/ pulse dry contact	blind	500						
<b>Flow Switches with Relays</b>										
FWS204-PC	1/2	316 SS/Relay	Y	200	1.9 to 18.9	0.5 to 5.0				
FWS204			blind	500						
FWS204P-PC		Polypropylene/Relays	Y	150			5.7 to 56.8	1.5 to 15.0		
FWS205-PC			Y	200						
FWS205		316 SS/Relay	blind	500						
FWS205P-PC			Y	150						
FWS203-PC	3/4	316 SS/Relay	Y	200	11.4 to 113.6	3.0 to 30.0				
FWS203			blind	500						
FWS207-PC			1	316 SS/Relay			Y	200	18.9 to 189.3	5.0 to 50.0
FWS207	blind	500								

Comes complete with 3 m (10') cable and operator's manual.

For units with EPR seals, add suffix "-EPR" to model number, no extra charge.

For units with FKM seals, add suffix "-FKM" to model number, for additional cost.

To replace the 4 to 20 mA output with 0 to 5 Vdc output add "-5V" to model number, for additional cost.

**Ordering Examples:** FPR205, blind flow transmitter.

FPR205-PC-FKM, blind flow transmitter with clear cover and FKM seals.