

## FDT-25W

# WALL MOUNT ULTRASONIC FLOW METER

- ✓ **Accuracy 1%**
- ✓ **Repeatability 0.2%**
- ✓ **Positive, Negative and Net Totalizer**
- ✓ **2-Line LCD Display**
- ✓ **Clamp On Transducers**
- ✓ **RS485 Output**
- ✓ **4 to 20 mA Output**

The FDT-25W ultrasonic flow meter is designed to measure the fluid velocity of liquid within a closed conduit. The transducers are a non-contacting, clamp-on type, which will provide benefits of non-fouling operation and easy installation. The FDT-25W transit-time flow meter utilizes two transducers that function as both ultrasonic transmitters and receivers. The transducers are clamped on the outside of a closed pipe at a specific distance from each other. The transducers can be mounted in V-method where the sound transverses the pipe twice, or W-method where the sound transverses the pipe four times, or in Z-method where the transducers are mounted on opposite sides of the pipe and the sound crosses the pipe once. This selection of the mounting method depends on pipe and liquid characteristics. The flow meter operates by alternately transmitting and receiving a frequency modulated burst of sound energy between the two transducers and measuring the transit time that it takes for sound to travel between the two transducers. The difference in the transit time measured is directly and exactly related to the velocity of the liquid in the pipe. The FDT-25W can be used for metallic, plastic and rubber tubes. Applications include Running Water, HAVC, Water Conservation, Metallurgy, Chemical Industry,

Machinery, Energy.



## Specifications

**Cable Length:** 5M

**Communications Protocol:** RS485

**Minimum Liquid Temperature:** Standard -30°C, Hi Temp -30°C

**Maximum Liquid Temperature:** Standard 90°C, Hi Temp 160°C

**Response Time:** 0~999 seconds, user configurable

**Cable Type:** Twisted Pair Line

**Display Type:** LCD with Backlight, Chinese/English

**Power Source:** AC/DC

**Supply Frequency:** 50/60 Hz

**Media Type:** Water, sea water, industrial sewage, acid & alkali liquid, alcohol, beer, all kinds of oils which can transmit ultrasonic single uniform liquid

**Data Logging:** Built in

**Minimum Log Interval:** User configurable

**Repeatability:** 0.20%

**Accuracy Value:** ±1% of reading at rates >0.2 mps

**Measurement Units:** User configured—feet, gallons, ft<sup>3</sup>, mil-gal, meters, liters, mil ft<sup>3</sup>, m<sup>3</sup>, milliliters, acre-feet, oil barrels (42 gallon), liquor barrels (32.5 gallons), lb, kg

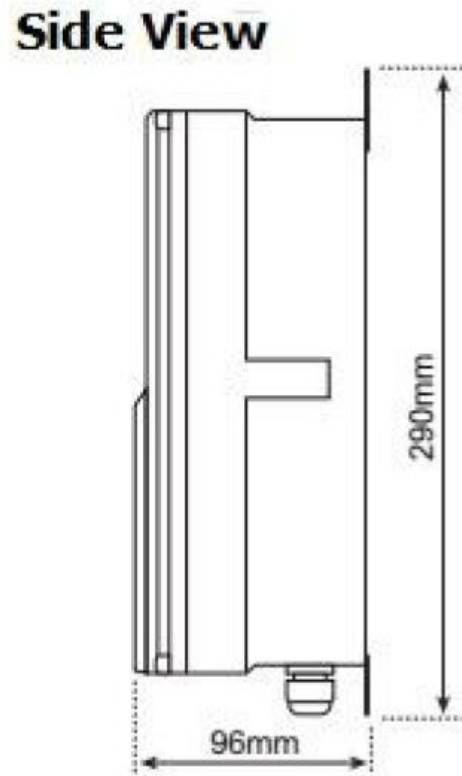
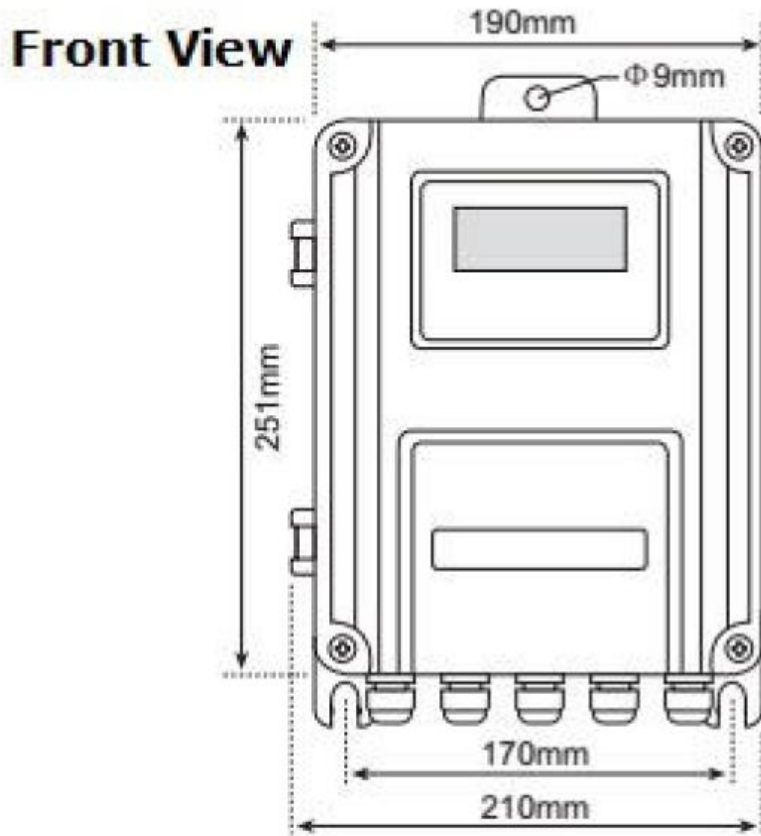
**Minimum Ambient Temperature:** -30°C (-22°F)

**Maximum Ambient Temperature:** 80°C (176°F)

**Maximum Ambient Humidity:** 85% RH

**Measurement Type:** Flow

## Dimensions



# FDT-25W



To Order	
Model No.	Description
<b>FDT-25W</b>	Wall Mount Ultrasonic Flow Meter
Accessories	
Model No.	Description
<b>STD-WS</b>	Standard Clamp on Transducer - Small (0 to 90C) Pipe Size DN15~DN100 (3/4" to 4")
<b>STD-WM</b>	Standard Clamp on Transducer - Medium (0 to 90C) Pipe Size DN50~DN700 (2" to 28")
<b>STD-WL</b>	Standard Clamp on Transducer - Large (0 to 90C) Pipe Size DN300~DN6000 (12" to 240")
<b>HT-WS</b>	Hi Temp Clamp on Transducer - Small (0 to 160C) Pipe Size DN15~DN100 (3/4" to 4")
<b>HT-WM</b>	Hi Temp Clamp on Transducer - Medium (0 to 160C) Pipe Size DN50~DN700 (2" to 28")
<b>HT-WL</b>	Hi Temp Clamp on Transducer - Large (0 to 160C) Pipe Size DN300~DN6000 (12" to 240")
<b>STDGEL</b>	Acoustic gel for Standard Transducers
<b>HTGEL</b>	Acoustic gel for High Temperature Transducers
<b>CLAMP1</b>	Pipe Clamp (for upto DN300/12")
<b>CLAMP2</b>	Pipe Clamp (for upto DN700/28")
<b>CLAMP3</b>	Pipe Clamp (for upto DN1000/40")
<b>TCH</b>	TRANSDUCER CABLE - PAIR OF RED&BULE - 5M