

## SERIES TSW | WEATHERPROOF DIGITAL TEMPERATURE SWITCH

### FEATURES/BENEFITS

- Weatherproof housing
- Single or dual stage models
- Configuration key
- Physical and passcode parameter setting protection
- TS-8T temperature probe included with models not ending in -NP

### APPLICATIONS

- Chillers
- Walk in cooler
- Woodboilers
- Brewing systems



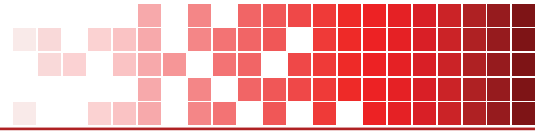
### DESCRIPTION

The **Series TSW Weatherproof Digital Temperature Switch** combines the trusted, reliable TS family of temperature controls and an installation friendly weatherproof enclosure. The bright, easy-to-read LED display shows the current output status and the temperature measurement.

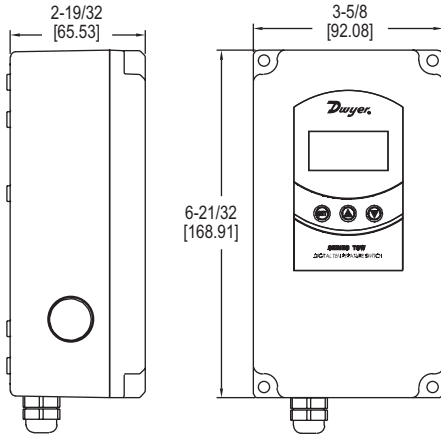
### SPECIFICATIONS

<b>Probe Range</b>	PTC: -58 to 302°F (-50 to 150°C); NTC: -58 to 230°F (-50 to 110°C).
<b>Input</b>	PTC (1000Ω @ 25°C); NTC (10K Ω @ 25°C).
<b>Output</b>	R1 SPDT relay resistive load: 20 A @ 240 VAC; R2 SPDT relay resistive load: 8 A @ 240 VAC; Inductive load: 3 A @ 240 VAC.
<b>Horsepower Rating</b>	R1 2HP @ 240 VAC.
<b>Control Type</b>	On/off.
<b>Power Requirements</b>	90 to 255 VAC or 12 to 24 VAC/VDC (±10%) depending on model.
<b>Power Consumption</b>	3.6 VA.
<b>Accuracy</b>	±1% FS.
<b>Display</b>	3 digits plus sign.
<b>Resolution</b>	Single stage: 1°; Dual stage: 0.1° < 100; 1° ≥ 100°.
<b>Memory Backup</b>	Non-volatile memory.
<b>Ambient Temperature</b>	32 to 104°F (0 to 40°C).
<b>Weight</b>	1.2 lb (544 g).
<b>Enclosure Rating</b>	NEMA 4X (IP66).
<b>Agency Approvals</b>	CE, cURus.

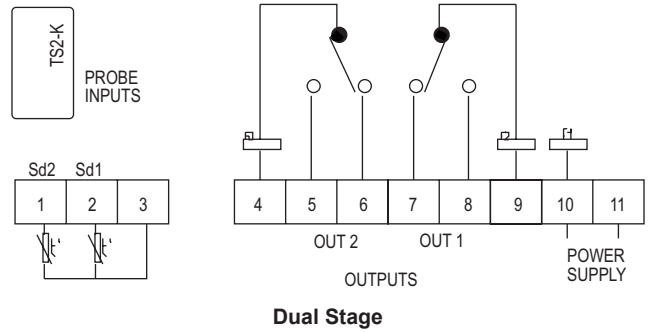
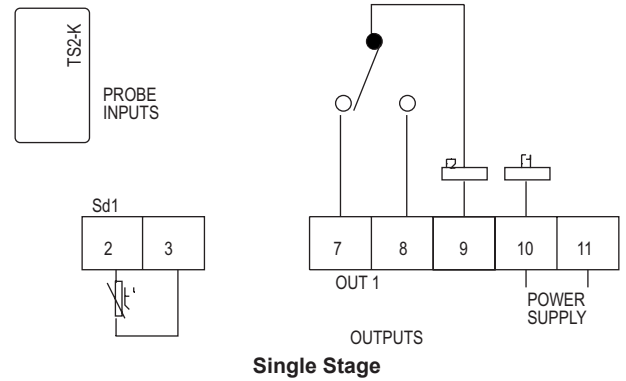




## DIMENSIONS

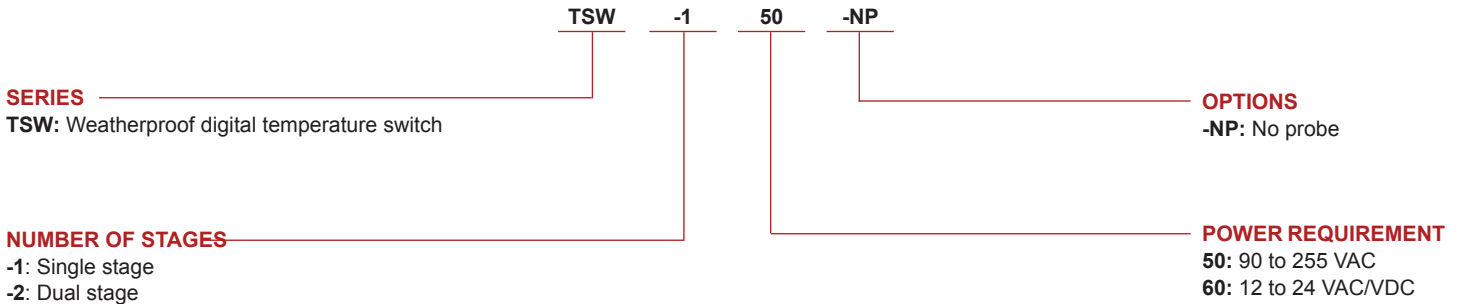


## WIRING DIAGRAM



## HOW TO ORDER

Use the **bold** characters from the chart below to construct a product code.



## ACCESSORIES

Model	Description
CC1-N	Temperature sensor clip, neutral
CC1-GY	Temperature sensor clip, grey
TS2-K	Configuration key
Series TS-Probes	Temperature sensors

Important Notice: Dwyer Instruments, Inc. reserves the right to make changes to or discontinue any product or service identified in this publication without notice. Dwyer advises its customers to obtain the latest version of the relevant information to verify, before placing any orders, that the information being relied upon is current.

