



SERIES IDPT | INDUSTRIAL DIFFERENTIAL PRESSURE TRANSMITTER



BENEFITS/FEATURES

- Supports critical applications due to 0.25% accuracy on most ranges
- Maintains process quality with a stable accuracy
- Allows for use in critical processes with pressure ranges as low as 0.25 in w.c.
- Ensures a long service life in heavy industrial processes with the robust stainless steel housing

APPLICATIONS

- Semiconductor
- Pharmaceutical
- Laboratories
- Fume hoods
- HVAC pressure
- Critical measurement
- High purity

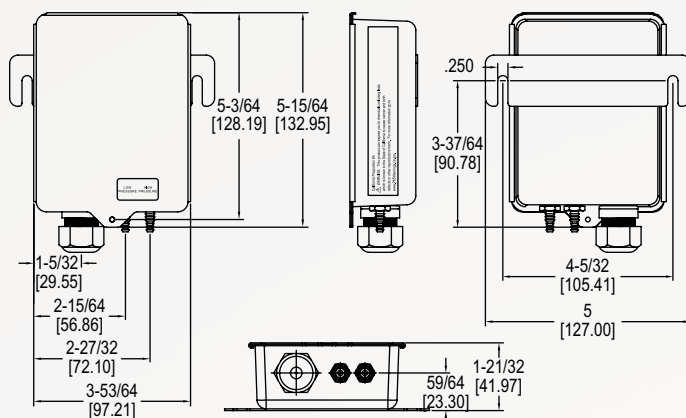
DESCRIPTION

The **Series IDPT Industrial Differential Pressure Transmitter** features a rugged, water resistant housing and highly stable accuracy for a long service life in most industrial applications. This pressure transmitter utilizes a capacitive pressure sensor on ranges 0 to 0.25 in w.c. to 0 to 1 in w.c. and a piezo sensor on ranges 0 to 2.5 in w.c. to 0 to 10 in w.c., both of which offer accuracy options of 0.25% or 0.5% full-scale. The cap cell allows the IDPT to maintain critical processes in industrial applications. The series offers a 4-20 mA 2-wire version for a loop powered current output as well as a 0-5 V/0-10 V selectable voltage output version.

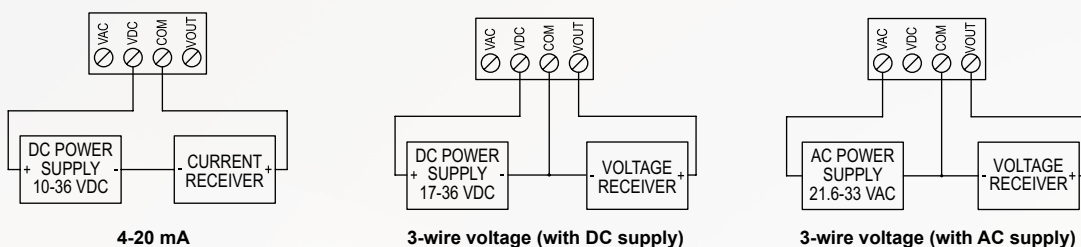
SPECIFICATIONS

Service	Clean, dry, compatible gases.
Wetted Materials	Consult factory.
Accuracy	±0.5% FS standard, ±0.25% FS high accuracy.
Stability	±0.5% FS per year.
Temperature Limits	-4 to 158°F (-20 to 70°C); Storage: -22 to 176°F (-30 to 80°C).
Compensated Temperature Range	36 to 135°F (2 to 57°C).
Pressure Limits	2 psi max.
Thermal Effects	≤ 1 in w.c.: ±0.015% FS/°F; > 1 in w.c.: ±0.025% FS/°F.
Power Requirements	10-35 VDC (2-wire), 17-36 VDC isolated 21.6-33 VAC (3-wire).
Output Signal	4-20 mA DC, 2-wire; 0-5 VDC/0-10 VDC selectable, 3-wire.
Zero and Span Adjustments	Push-buttons accessible by removing the housing cover.
Response Time	250 ms.
Loop Resistance	0-1045 Ω, $V_{min}=12V+[(.22A)(RI)]$ (2-wire); Min. load resistance 1 kΩ (3-wire).
Electrical Connection	Screw terminals.
Process Connection	Barbed SS for 3/16" ID tubing.
Enclosure Rating	NEMA 2 (IP11).
Mounting Orientation	Pressure sensor measurement is unaffected by orientation.
Weight	≤ 1 in w.c.: 0.94 lb (0.43 kg); > 1 in w.c.: 1.08 lb (0.49 kg).
Compliance	CE.

DIMENSIONS

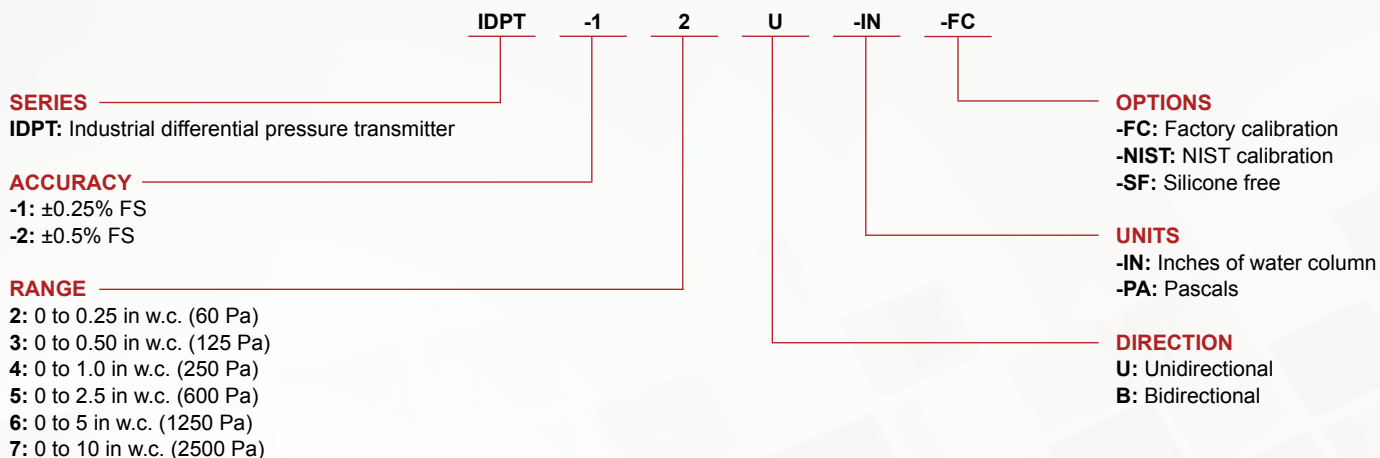


WIRING DIAGRAM



HOW TO ORDER

Use the **bold** characters from the chart below to construct a product code.



ORDER ONLINE TODAY!

dwyer-inst.com



DWYER INSTRUMENTS, LLC

©Copyright 2023 Dwyer Instruments, LLC
Printed in U.S.A. 2/23

DS-IDPT

Important Notice: Dwyer Instruments, LLC reserves the right to make changes to or discontinue any product or service identified in this publication without notice. Dwyer advises its customers to obtain the latest version of the relevant information to verify, before placing any orders, that the information being relied upon is current.