

HIGH PRESSURE SOLENOID VALVE

SVH-120 Series



- ✓ **Stainless Steel Construction**
- ✓ **¼ or ½" Ports**
- ✓ **Pressures up to 10,000 psi (Depending on Model)**

The new SVH-120 Series is a versatile, ¼ or ½" full port, high pressure, pilot operated, solenoid valve. The SVH-130 Series is a compact size, for where space is limited. The compact SVH-120 Series is ideal for flow control of high pressure air, water, compressed natural gas (CNG), hydrogen, nitrogen, and other gases or light liquids compatible with the materials of construction, and leverages this high pressure flow to its own advantage in operating effectively and efficiently.

The SVH-120 style valve is perfect for use in hydrogen dispensing tanks, commonly used in the refueling of fleet vehicles. It is also a used in many compressed natural gas applications. With available pressures to 10,000 psig there are a wide range of applications that include water, nitrogen and many other compatible liquids. This solenoid valve must be mounted with the solenoid upright and vertical.



SVH-120 shown actual size.

SPECIFICATIONS

Materials Of Construction

Valve Body: 316 SS

Pistons: PAEK

O-Rings: Buna-N/FKM "-VT"/PTFE

Backing Rings: Buna-N/FKM "-VT"/PTFE

Piston Rings/Seal: PTFE/302 SS

Cartridge: 316 SS/430 SS

Pilot/Seal: 303 SS/PTFE

Spring: 302 SS

Plunger: 430 SS

Bonnet Retainer: 430 SS

Cartridge Gasket: Nylon

Fluid Temp Range: -37 to 121°C

(-35 to 250°F), -26 to 204°C

(-15 to 400°F) (-VT)

Shipping Weight:

SVH-121: 1.8 kg (4 lbs)

SVH-122: 3.2 kg (7 lbs)

Cv: 4.5

Port Connections: ¼ NPT (SVH-121), ½ NPT (SVH-122)

Electrical

Duty: Continuous

Connection: ½ NPT, 18" leads

Power: 10 watts, 22 watts (-XP)

AC Inrush: 1 amp @ 120 Vac,

2.5 amp @ 120V AC (-XP)

AC Holding: 0.1 amp @ 120 Vac,

0.2 amp @ 120 Vac -XP

Insulation: Class "F", Class "H" -XP

Maximum Operating Pressure:

AC Voltage: 7,500 Psig,

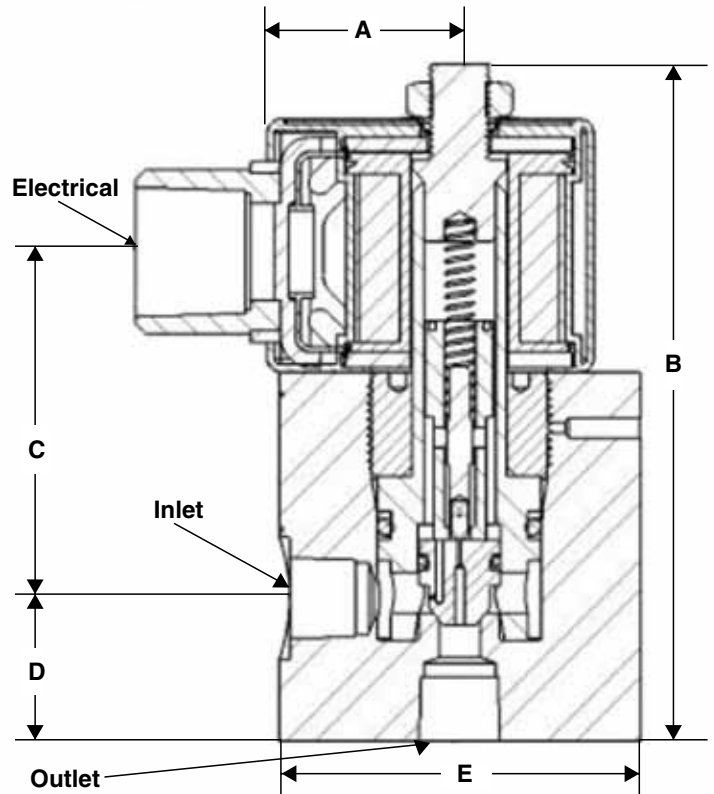
10,000 psig -XP

DC Voltage: 3,600 PSIG,

7,200 psig -XP

Minimum Pressure: 100 psig

Model No.	Weight lbs	Reference Dimensions (inches)				
		A	B	C	D	E
SVH-121	2.85	2	4.1	2.1	0.9	ø 2.20
SVH-121-NO	3.1	2	4.8	2.1	0.9	ø 2.20
SVH-122	6.05	2	4.7	2.2	1.3	ø 3.00
SVH-122-NO	6.04	2	5.4	2.2	1.3	ø 3.00



To Order				
Model Number	Coil Voltage	Cv	Maximum Pressure	Maximum Pressure (-XP Option)
SVH-121	120 Vac	1.1	7500 psig	10,000 psig
SVH-121-24A	24 Vac	1.1	7500 psig	10,000 psig
SVH-121-240A	240 Vac	1.1	7500 psig	10,000 psig
SVH-121-24D	24 Vdc	1.1	3500 psig	10,000 psig
SVH-121-120D	120 Vdc	1.1	3500 psig	10,000 psig
SVH-122	120 Vac	4.5	5000 psig	7500 psig
SVH-122-24A	24 Vac	4.5	5000 psig	7500 psig
SVH-122-240A	240 Vac	4.5	5000 psig	7500 psig
SVH-122-24D	24 Vdc	4.5	3600 psig	7200 psig
SVH-122-120D	120 Vdc	4.5	3600 psig	7200 psig

Comes complete with operator's manual.

For units with a DIN electrical connector add **"-DIN"** to the model number, for an additional charge.

For units for Hydrogen service (Helium leak test) add **"-HY"** to the model number, for an additional charge.

For Normally Open valve configuration add **"-NO"** to the model number, for an additional charge.

For Oxygen cleaned units add **"-OX"** to the model number, for an additional charge.

For units with straight thread J1926 with o-ring seal add **"-ST"** to the model number, for an additional charge.

For units with a flared tubing connection add **"-TC"** to the model number, for an additional charge.

For units with FKM o-rings add **"-VT"** to the model number, for an additional charge.

For units with a higher pressure coil add **"-XP"** to the model number, for an additional charge.