

2-WAY HOT WATER SOLENOID VALVES

DIRECT LIFT, NORMALLY CLOSED, BRASS VALVE BODY

SV220 Series



- ✓ Rated for 99°C (210°F) Hot Water
- ✓ Rugged NEMA 4 (IP65) Housing
- ✓ Mounts in Any Position
- ✓ Rated for Continuous Duty

TYPICAL APPLICATIONS

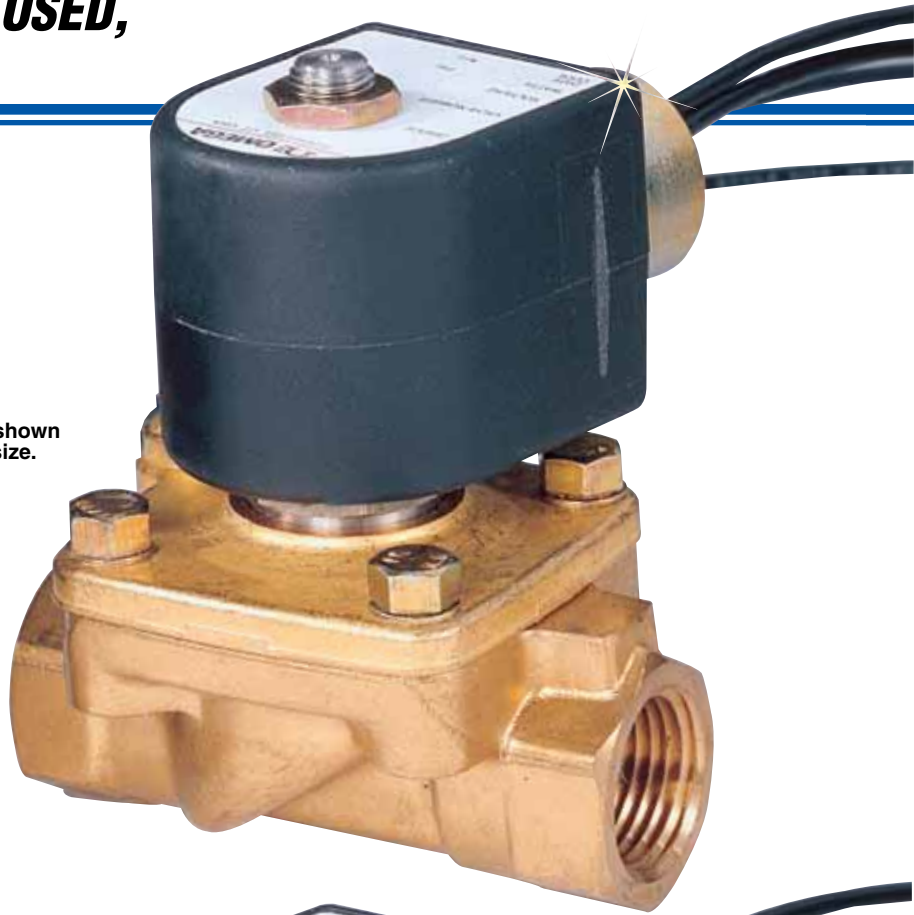
- ✓ Heating and Cooling
- ✓ Commercial Dish Washing Equipment
- ✓ Car Washing Equipment
- ✓ Food Processing
- ✓ Commercial Laundry Equipment
- ✓ Bottle Washing
- ✓ Sterilizing Equipment

The SV220 Series valves are designed for hot water applications in which the valve must operate at times when the pressure drop across the valve falls into the 0 to 5 psi range. The SV222 through SV225 valves are able to control hot water up to 150 psi at 99°C (210°F).

The seals are made of ethylene propylene, for hot water compatibility over a wide temperature range as well as trouble-free, bubble-tight service.

The SV221 through SV225 are direct-lift valves, which combine the features of a direct-acting valve with those of a pilot-operated valve. Because of a flexible link between the solenoid plunger and the diaphragm, the direct-lift valve functions as a direct-acting valve at low pressures and as a pilot-operated valve at high pressures. It is sometimes referred to as a zero delta pressure valve or a hung diaphragm valve.

SV223 shown
actual size.

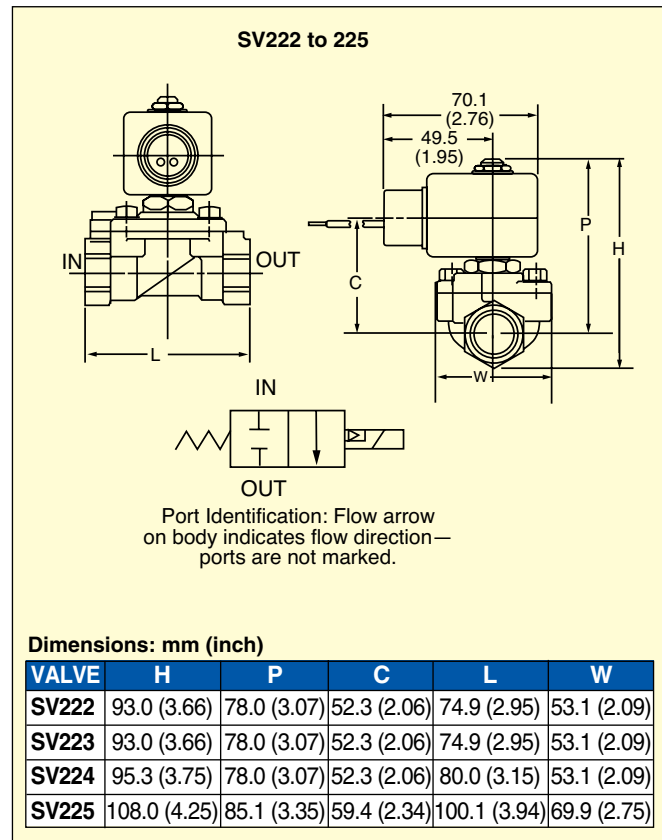
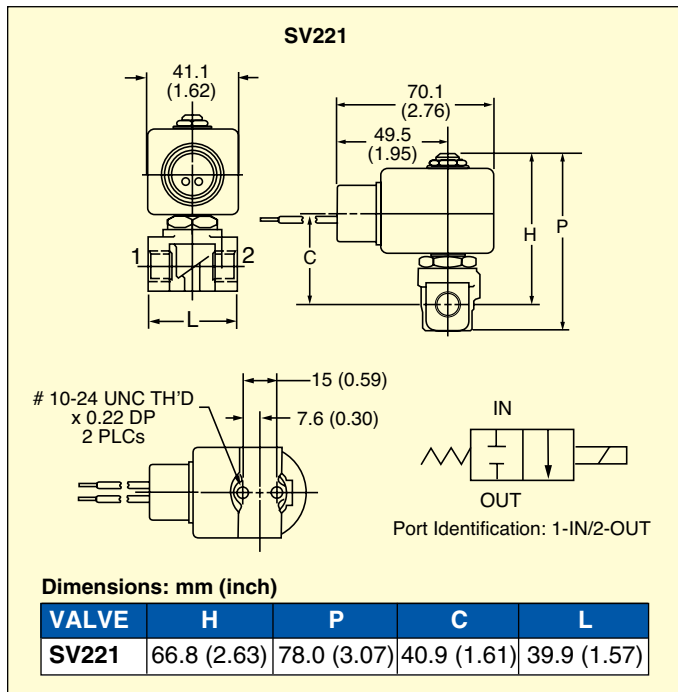


SV222, shown
actual size.

DIRECT LIFT, NORMALLY CLOSED, BRASS VALVE BODY, HOT WATER SOLENOID VALVES

SPECIFICATIONS

Operation: Direct lift
Wetted Parts: Brass, stainless steel, copper and seal
Medium: Liquid or gases
Max Static Pressure: 5 times max psid
Ambient Temp: -9 to 50°C (15 to 122°F)
Mounting: Pipe mounting, any direction
Power: 10 W, 120 Vac, Class F



To Order

MODEL NO.	NPT FITTING	ORIFICE	C _v	SEAL	DIFF PRES (psid)		TEMP		RESPONSE TIME	
					MIN	MAX	°C	°F	OPEN	CLOSE
SV221	1/4	1 3/64"	0.76	EDPM	0	100	99	210	4 to 8 ms	4 to 8 ms
SV222	3/8	5/8"	4.4	EDPM	0	150	99	210	30 to 100 ms	30 to 100 ms
SV223	1/2	5/8"	4.4	EDPM	0	150	99	210	30 to 100 ms	30 to 100 ms
SV224	3/4	5/8"	5.5	EDPM	0	150	99	210	30 to 100 ms	30 to 100 ms
SV225	1	1"	11.7	EDPM	0	150	99	210	30 to 100 ms	30 to 100 ms

Comes complete with operator's manual.

ACCESSORIES

MODEL NO.	DESCRIPTION
SVCOIL-110AC	Replacement coil, 110 Vac
SVCOIL-220AC	Replacement coil, 220 Vac
SVCOIL-24VDC	Replacement coil, 24 Vdc

Note: Some solenoid valves are available with 24 Vdc coils. Five piece minimum order.

UL approval is not available with 24 Vdc coils. Specifications effected; pressure ratings may decrease; coil wattage ratings may increase. Consult Engineering.

Ordering Examples: SV222, 2-way direct-lift hot water valve, NC with a brass body and 3/8" NPT fitting with EDPM seal.

SV225 2-way direct-lift hot water valve, NC with a brass body and 1" NPT fitting with EDPM seal.