



Air-Actuated Valve, 316L Stainless Steel, Normally Closed

AAV-1100 Series



- ✓ Ideal Alternative to Complex Actuated Ball Valves
- ✓ Ideal for Neutral and Some Aggressive Fluids
- ✓ Optical Position Indication Standard
- ✓ 316L Stainless Steel and PTFE Wetted Parts
- ✓ For Water, Steam, Compressed Air, Natural Gas, Oil or Vacuum Service



AAV-1140 shown smaller than actual size.

The AAV-1100 Series of air-operated stainless steel angle seat valves are ideal for use in a wide range of industrial applications. The unique construction permits the use of these valves with a wide range of fluids including

steam, select liquids and gases, and vacuum. The valve stem has a self-aligning gland which together with the floating seal assures maximum integrity. The PTFE seal material is used as standard for maximum fluid compatibility.

SPECIFICATIONS

Media Temperature: -10 to 180°C (14 to 360°F)

Ambient Temperature: -10 to 60°C (14 to 140°F)

Body Material: Stainless steel
AISI 316L

Seal Material: PTFE

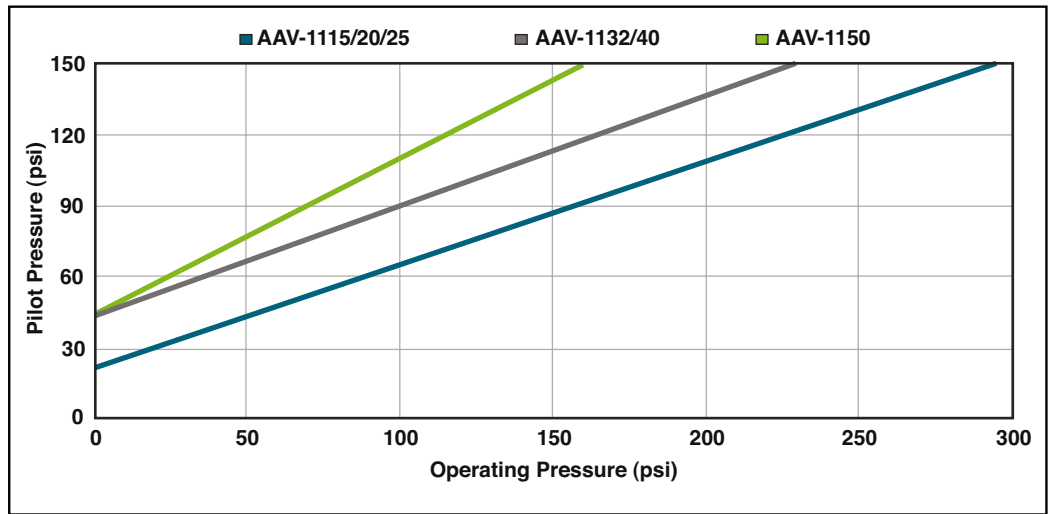
Pilot Media: Air, inert gases, water, maximum 60°C (140°F)

Valve Position: Normally closed

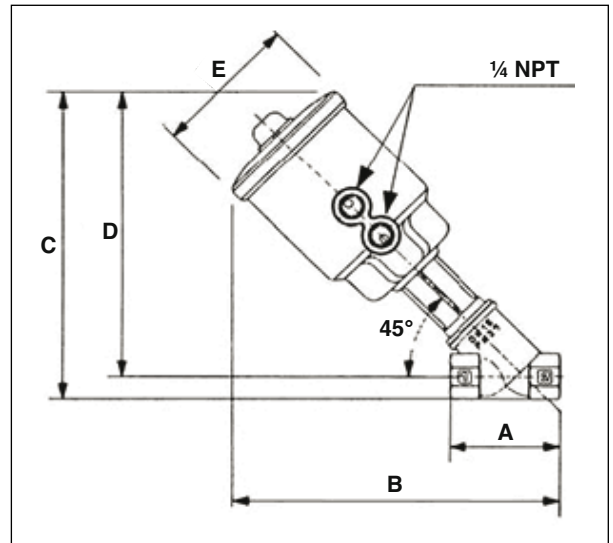
Flow Direction: 2 → 1 over seat



Required Pilot Pressure Chart



AAV-1140 shown smaller than actual size.



Dimensions: mm (inch)

Model No.	Width (A)	Width (B)	Height (C)	Height (D)	Width (E)	Weight, kg (lb)
AAV-1115	65 (2.56)	192 (7.56)	186 (7.31)	171 (6.75)	85 (3.34)	1.2 (2.64)
AAV-1120	75 (2.94)	202 (7.94)	192 (7.56)	174 (6.87)	85 (3.34)	1.3 (2.86)
AAV-1125	90 (3.56)	212 (8.34)	205 (8.09)	186 (7.34)	85 (3.34)	1.5 (3.30)
AAV-1132	110 (4.34)	224 (8.81)	217 (8.53)	193 (7.59)	85 (3.34)	1.9 (4.18)
AAV-1140	120 (4.72)	230 (9.06)	227 (8.94)	202 (7.94)	85 (3.34)	2.1 (4.62)
AAV-1150	150 (5.91)	248 (9.75)	241 (9.50)	207 (8.16)	85 (3.34)	2.9 (6.38)

To Order

Model No.	NPT	Orifice	cV	Minimum Pressure PSI	Maximum Pressure PSI*	Pilot Pressure Range PSI	Actuator Diameter mm (inch)
AAV-1115	1/2	1/2"	4.8	0	290	25 to 150	64 (2.5)
AAV-1120	3/4	3/4"	9.0		290	25 to 150	
AAV-1125	1	1"	21.4		290	25 to 150	
AAV-1132	1 1/4	1 1/4"	31		230	45 to 150	
AAV-1140	1 1/2	1 1/2"	48.3		230	45 to 150	
AAV-1150	2	2"	59.3		160	45 to 150	

To order units with BSPP threads add suffix "-BSPP" to the model number, no additional cost.

Comes complete with operator's manual (actuator valve sold separately).

* Maximum pressure with steam is limited to 150 psig.