

Air-Actuated Valve, Bronze, Normally Closed, Compact Design



AAV-1000C Series



- ✓ Ideal Alternative to Complex Actuated Ball Valves
- ✓ Ideal for Neutral and Some Aggressive Fluids
- ✓ Optical Position Indication Standard
- ✓ Bronze and PTFE Wetted Parts
- ✓ Compact Design
- ✓ For Water, Steam, Compressed Air, Natural Gas, Oil or Vacuum Service



AAV-1015C shown larger than actual size.

The AAV-1000C Series of air-operated bronze angle seat valves are ideal for use in a wide range of industrial applications that require compact design. The unique construction permits the use of these valves with a wide range of fluids including steam, select liquids and gases, vacuum.

The valve stem has a self-aligning gland which together with the floating seal assures maximum integrity. The PTFE seal material is used as standard for maximum fluid compatibility.

SPECIFICATIONS

Media Temperature: -10 to 180°C (14 to 360°F)

Ambient Temperature: -10 to 60°C (14 to 140°F)

Body Material: Bronze

Seal Material: PTFE

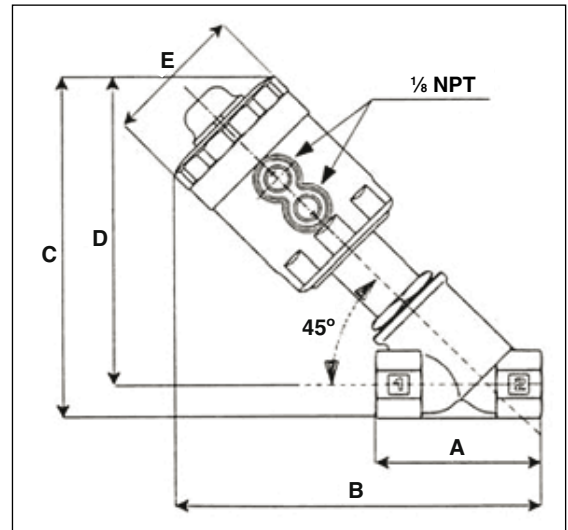
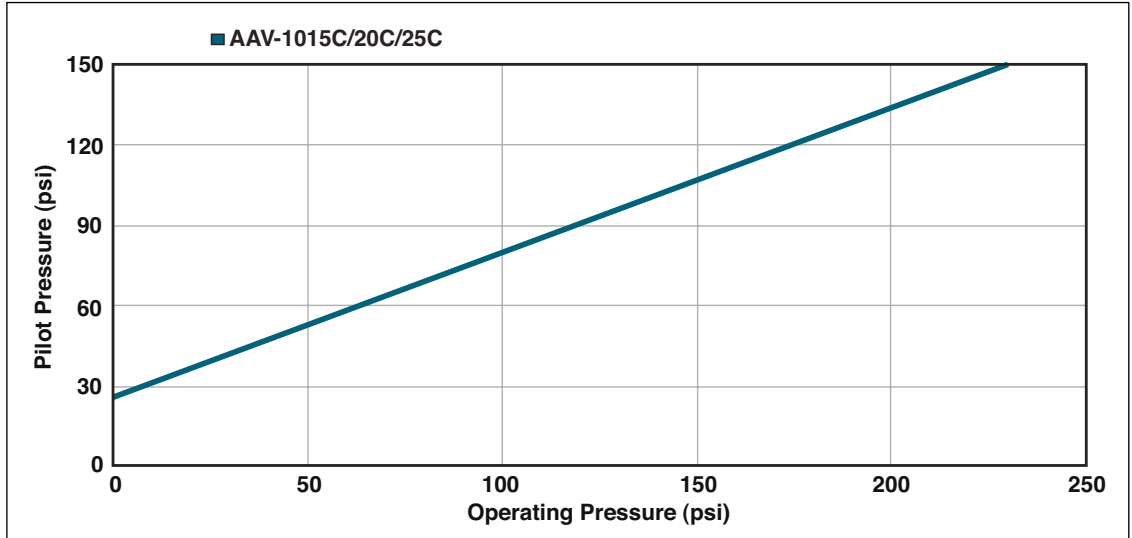
Pilot Media: Air, inert gases, water, maximum 60°C (140°F)

Valve Position: Normally closed

Flow Direction: 2 → 1



Required Pilot Pressure Chart



Dimensions: mm (inch)

Model No.	Width (A)	Width (B)	Height (C)	Height (D)	Width (E)	Weight kg (lb)
AAV-1015C	65 (2.56)	154 (6.06)	136 (5.34)	123 (4.84)	57 (2.25)	0.68 (1.50)
AAV-1020C	74 (2.93)	155 (6.09)	131 (5.15)	130 (5.125)	57 (2.25)	0.79 (1.75)
AAV-1025C	90 (3.56)	167 (6.59)	166 (6.53)	140 (5.53)	57 (2.25)	0.99 (2.20)

To Order

Model No.	NPT	Orifice	cV	Minimum Pressure PSI	Maximum Pressure PSI (1→2/2→1)	Pilot Pressure Range PSI	Actuator Diameter mm (inch)
AAV-1015C	1/2	1/2"	4.6	0	230	26 to 150	44 (1.75)
AAV-1020C	3/4	3/4"	8.6				
AAV-1025C	1	1"	19.3				

To order units with BSPP threads add suffix **"-BSPP"** to the model number, no additional cost.
Comes complete with operator's manual (pilot valve sold separately).