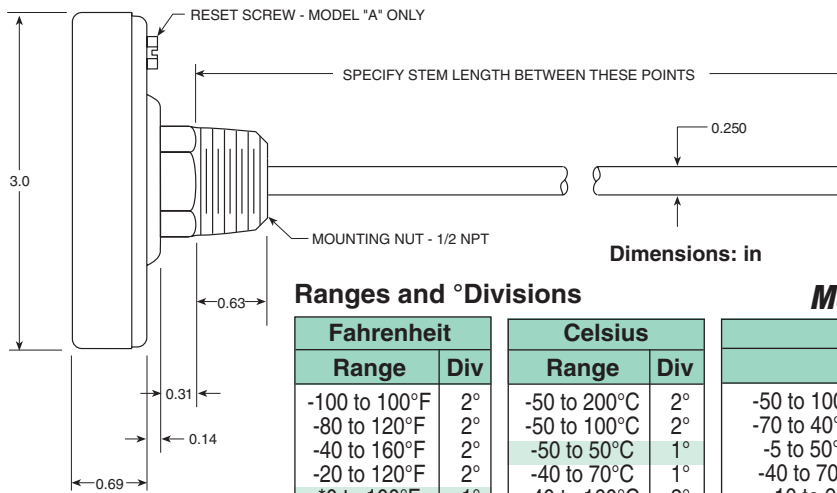


Models A and R

Model A and R
\$52
 With 6" Stem



All of Stainless Steel (except dial). Hermetically sealed. Model A has external pointer reset.



Shown smaller than actual size.

MOST POPULAR MODELS HIGHLIGHTED!

Ranges and °Divisions

Fahrenheit		Celsius		Dual Range	
Range	Div	Range	Div	°C (°F)	Div
-100 to 100°F	2°	-50 to 200°C	2°	-50 to 100°C (-50 to 210°F)	5°/2°
-80 to 120°F	2°	-50 to 100°C	2°	-70 to 40°C (-100 to 100°F)	2°/1°
-40 to 160°F	2°	-50 to 50°C	1°	-5 to 50°C (*25 to 125°F)	1°/1°
-20 to 120°F	2°	-40 to 70°C	1°	-40 to 70°C (-40 to 160°F)	2°/1°
*0 to 100°F	1°	-40 to 160°C	2°	-10 to 90°C (0 to 200°F)	2°/1°
0 to 140°F	2°	*-30 to 30°C	1°	-20 to 120°C (0 to 250°F)	2°/2°
*25 to 125°F	1°	-20 to 120°C	2°	10 to 150°C (50 to 300°F)	2°/2°
0 to 150°F	1°	-10 to 110°C	1°	10 to 260°C (50 to 500°F)	5°/5°
0 to 200°F	2°	*0 to 50°C	½°	10 to 290°C (50 to 550°F)	5°/5°
0 to 220°F	2°	0 to 100°C	1°	70 to 400°C (150 to 750°F)	10°/5°
0 to 250°F	2°	0 to 150°C	1°	100 to 500°C (200 to 1000°F)	10°/5°
0 to 300°F	2°	0 to 200°C	2°	-20 to 70°C (0 to 150°F)	10°/5°
20 to 240°F	2°	0 to 300°C	2°	-10 to 115°C (20 to 240°F)	10°/5°
-50 to 300°F	5°	0 to 400°C	5°	10 to 200°C (50 to 400°F)	10°/5°
50 to 300°F	2°	100 to 500°C	5°	100 to 500°C (200 to 1000°F)	10°/5°
50 to 400°F	5°	-80 to 220°C	5°		
50 to 500°F	5°	*0 to 60°C	5°		
50 to 550°F	5°	0 to 250°C	5°		
50 to 750°F	10°	100 to 550°C	5°		
100 to 800°F	10°				
150 to 750°F	10°				
200 to 1000°F	10°				
250 to 600°F	10°				
-100 to 200°F	10°				
-70 to 150°F	10°				

* Minimum stem length 4".

To order A and R, specify*:
Model - Range - Stem Length - Mounting
Ordering Examples: A-0-250F-9-1/2, model A with 0 to 250°F range, 9" stem and ½ NPT bushing, \$55.
A-0-140F-21/2-1/2, model A with 0 to 140°F range, 2½" stem and ½ NPT mounting, \$52.
R-50-400F-21/2-1/2, model R with 50 to 400°F range, 2½" stem and ½ NPT mounting, \$52.

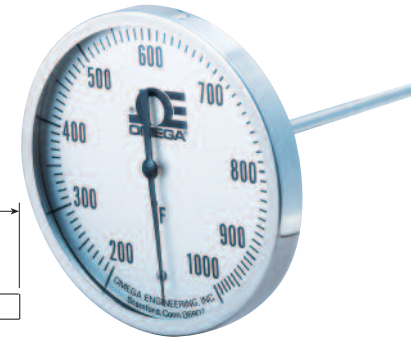
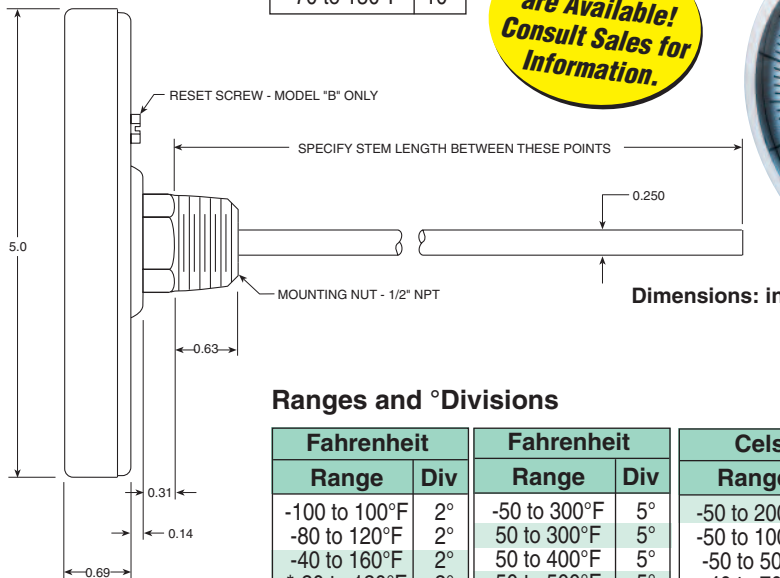
* For stem lengths, pricing, see page E-12.

Models B and S

Model S
\$75
 With 6" Stem



All of Stainless Steel (except dial). Hermetically sealed. Model B has external pointer reset.



Shown smaller than actual size.

MOST POPULAR MODELS HIGHLIGHTED!

Ranges and °Divisions

Fahrenheit		Fahrenheit		Celsius		Celsius	
Range	Div	Range	Div	Range	Div	Range	Div
-100 to 100°F	2°	-50 to 300°F	5°	-50 to 200°C	1°	0 to 200°C	2°
-80 to 120°F	2°	50 to 300°F	5°	-50 to 100°C	1°	0 to 300°C	5°
-40 to 160°F	2°	50 to 400°F	5°	-50 to 50°C	1°	0 to 400°C	5°
*-20 to 120°F	2°	50 to 500°F	5°	-40 to 70°C	1°	100 to 500°C	5°
*0 to 100°F	2°	50 to 550°F	5°	-40 to 160°C	1°	-80 to 220°C	5°
0 to 140°F	2°	50 to 750°F	5°	*-30 to 30°C	1°	-20 to 220°C	5°
*25 to 125°F	5°	100 to 800°F	10°	-20 to 120°C	1°	*0 to 30°C	5°
0 to 150°F	2°	150 to 750°F	10°	-10 to 110°C	1°	*0 to 60°C	5°
0 to 200°F	2°	200 to 1000°F	10°	*0 to 50°C	1°	0 to 250°C	5°
0 to 220°F	5°	-100 to 200°F	10°	0 to 100°C	1°	50 to 450°C	5°
0 to 250°F	5°	-70 to 150°F	10°	0 to 150°C	2°	100 to 550°C	5°
0 to 300°F	5°	200 to 300°F	10°				
20 to 240°F	5°	300 to 400°F	10°				

* Minimum stem length 4".

To order B and S, specify*:
Model - Range - Stem Length - Mounting
Ordering Examples: B-50-300F-9-1/2, model B with 50 to 300°F range, 9" stem and ½ NPT bushing, \$81.
B-0-200C-21/2-1/4, model B with 0 to 200°C range, 2½" stem and ¼ NPT mounting, \$81.
S-25-125F-4-1/2, model S with 25 to 125°F range, 4" stem and ½ NPT mounting, \$75.

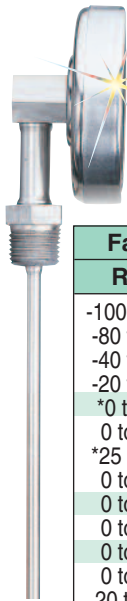
* For stem lengths, pricing, see page E-12.

Models X, XR, V and VR

Heads: X, XR: 3" O.D.
V, VR: 5" O.D.

Normally supplied with 1/2" NPT Mounting;
1/4" NPT or 3/4" NPT Thread Optional.
Made Entirely of Stainless Steel,
Hermetically Sealed.

X, XR, V and VR
Ranges and °Divisions



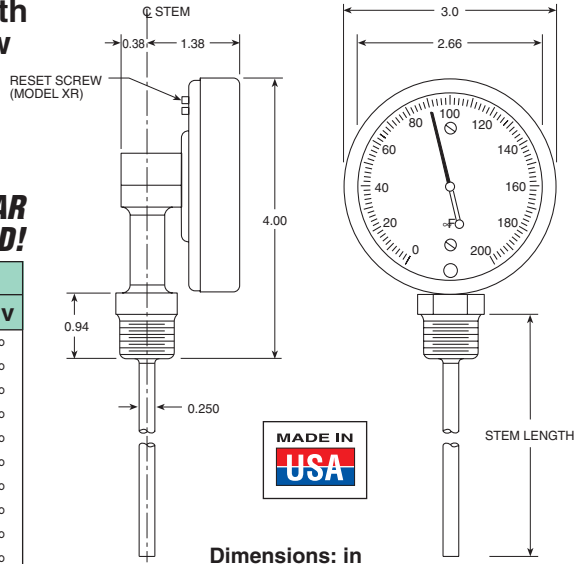
Fahrenheit		Celsius	
Range	Div	Range	Div
-100 to 100°F	2°	-50 to 200°C	2°
-80 to 120°F	2°	-50 to 100°C	2°
-40 to 160°F	2°	-50 to 150°C	1°
-20 to 120°F	2°	-40 to 70°C	1°
0 to 100°F	1°	-40 to 160°C	2°
0 to 140°F	2°	*-30 to 30°C	1°
*25 to 125°F	1°	-20 to 120°C	2°
0 to 150°F	1°	-10 to 110°C	1°
0 to 200°F	2°	*0 to 50°C	1/2°
0 to 220°F	2°	0 to 100°C	1°
0 to 250°F	2°	0 to 150°C	1°
0 to 300°F	2°	0 to 200°C	2°
20 to 240°F	2°	0 to 300°C	2°
-50 to 300°F	5°	0 to 400°C	5°
50 to 300°F	2°	100 to 500°C	5°
50 to 400°F	5°	-80 to 220°C	5°
50 to 500°F	5°	†-20 to 220°C	5°
50 to 550°F	5°	*0 to 30°C	5°
50 to 750°F	10°	*0 to 60°C	5°
100 to 800°F	10°	0 to 250°C	5°
150 to 750°F	10°	†50 to 450°C	5°
200 to 1000°F	10°	100 to 550°C	5°
**250 to 600°F	10°		
-100 to 200°F	10°		
-70 to 150°F	10°		
†200 to 300°F	10°		
†300 to 400°F	10°		

Fahrenheit		Celsius	
Range	Div	Range	Div
-100 to 100°F	2°	-50 to 200°C	2°
-80 to 120°F	2°	-50 to 100°C	2°
-40 to 160°F	2°	-50 to 150°C	1°
-20 to 120°F	2°	-40 to 70°C	1°
0 to 100°F	1°	-40 to 160°C	2°
0 to 140°F	2°	*-30 to 30°C	1°
*25 to 125°F	1°	-20 to 120°C	2°
0 to 150°F	1°	-10 to 110°C	1°
0 to 200°F	2°	*0 to 50°C	1/2°
0 to 220°F	2°	0 to 100°C	1°
0 to 250°F	2°	0 to 150°C	1°
0 to 300°F	2°	0 to 200°C	2°
20 to 240°F	2°	0 to 300°C	2°
-50 to 300°F	5°	0 to 400°C	5°
50 to 300°F	2°	100 to 500°C	5°
50 to 400°F	5°	-80 to 220°C	5°
50 to 500°F	5°	†-20 to 220°C	5°
50 to 550°F	5°	*0 to 30°C	5°
50 to 750°F	10°	*0 to 60°C	5°
100 to 800°F	10°	0 to 250°C	5°
150 to 750°F	10°	†50 to 450°C	5°
200 to 1000°F	10°	100 to 550°C	5°
**250 to 600°F	10°		
-100 to 200°F	10°		
-70 to 150°F	10°		
†200 to 300°F	10°		
†300 to 400°F	10°		

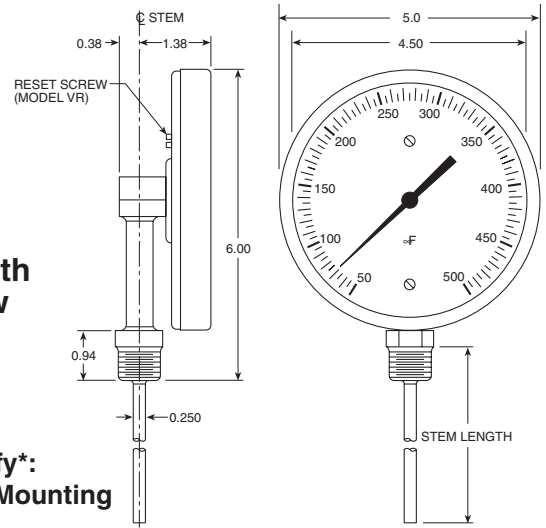
Dual Range			
°F	Div.	°C	Div
-50 to 210°F	5°	-50 to 100°C	2°
-100 to 100°F	2°	-70 to 40°C	1°
*25 to 125°F	1°	-5 to 50°C	1°
-40 to 160°F	2°	-40 to 70°C	1°
0 to 200°F	2°	-10 to 90°C	1°
0 to 250°F	2°	-20 to 120°C	2°
50 to 300°F	2°	10 to 150°C	2°
50 to 500°F	5°	10 to 260°C	5°
50 to 550°F	5°	10 to 290°C	5°
150 to 750°F	10°	70 to 400°C	5°
200 to 1000°F	10°	100 to 500°C	5°
0 to 150°F	10°	-20 to 70°C	5°
20 to 240°F	10°	-10 to 115°C	5°
50 to 400°F	10°	10 to 200°C	5°
**200 to 1000°F	10°	100 to 550°C	5°

* Minimum stem length 4".
** Range available in X and XR models only.
† Range available in V and VR models only.

Model XR With
Reset Screw
\$86
With 6" Stem



Model VR With
Reset Screw
\$116
With 6" Stem



To order X, XR, V and VR, specify*:
Model - Range - Stem Length - Mounting
Ordering Examples: XR-0-100F-6-1/2,
model XR with 0 to 100°F range, 6" stem
and 1/2" NPT bushing, \$86.

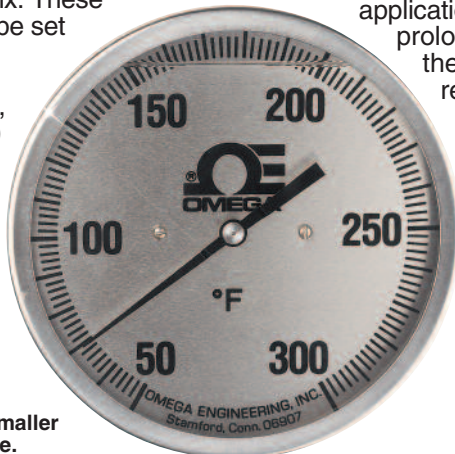
XR-0-150C-4-1/2, model XR with 0 to 150°C range, 4" stem and 1/2" NPT mounting, \$86.
X-0-100F-4-1/2, model X with 0 to 100°F range, 4" stem and 1/2" NPT mounting, \$86.

* For stem lengths, pricing, see page E-12.

Thermometers of this design are well adapted to installation on top of tanks, boilers, in high locations or other areas where it would be difficult to read a standard angle-form instrument.

Stems are 1/4" in diameter. Stem lengths up to 36" can be supplied.

Normally supplied with the stem at the BOTTOM (6 o'clock) position, to order special positions add the bolded suffix. These thermometers can be set with the stem protruding at:
"LEFT" (9 o'clock),
"TOP" (12 o'clock)
or "RIGHT" (3 o'clock) positions.
If not specified, the standard BOTTOM (6 o'clock) position will be supplied.



J-SF, shown smaller than actual size.

Silicone-Filled Thermometers

Silicone-filled thermometers are offered for severe industrial applications, where vibration is a problem. Silicone dampening prolongs instrument life by preventing wear and fatigue in the instrument's internal parts. The silicone also improves readability by reducing pointer flutter, and promotes faster temperature response.

Any Pro/Temp 3" or 5" dial bi-metal thermometer can be silicone filled, in any stem length, and any temperature range up to 500°F. (Silicone filling with ranges over 500°F is not recommended.) All silicone-filled thermometers come with a durable polycarbonate crystal. Also available with Models G and H.

To order Silicon-Filled, specify:
the thermometer per its ordering example and add suffix "-SF" to model number.

See accessories and options on page E-12 for pricing.



UNITED STATES

www.omega.com
1-800-TC-OMEGA
Stamford, CT.

CANADA

www.omega.ca
Laval(Quebec)
1-800-TC-OMEGA

GERMANY

www.omega.de
Deckenpfronn, Germany
0800-8266342

UNITED KINGDOM

www.omega.co.uk
Manchester, England
0800-488-488

FRANCE

www.omega.fr
Guyancourt, France
088-466-342

CZECH REPUBLIC

www.omegaeng.cz
Karviná, Czech Republic
596-311-899

BENELUX

www.omega.nl
Amstelveen, NL
0800-099-33-44



More than 100,000 Products Available!

• Temperature

Calibrators, Connectors, General Test and Measurement Instruments, Glass Bulb Thermometers, Handheld Instruments for Temperature Measurement, Ice Point References, Indicating Labels, Crayons, Cements and Lacquers, Infrared Temperature Measurement Instruments, Recorders Relative Humidity Measurement Instruments, RTD Probes, Elements and Assemblies, Temperature & Process Meters, Timers and Counters, Temperature and Process Controllers and Power Switching Devices, Thermistor Elements, Probes and Assemblies, Thermocouples Thermowells and Head and Well Assemblies, Transmitters, Wire

• Flow and Level

Air Velocity Indicators, Doppler Flowmeters, Level Measurement, Magnetic Flowmeters, Mass Flowmeters, Pitot Tubes, Pumps, Rotameters, Turbine and Paddle Wheel Flowmeters, Ultrasonic Flowmeters, Valves, Variable Area Flowmeters, Vortex Shedding Flowmeters

• pH and Conductivity

Conductivity Instrumentation, Dissolved Oxygen Instrumentation, Environmental Instrumentation, pH Electrodes and Instruments, Water and Soil Analysis Instrumentation

• Data Acquisition

Auto-Dialers and Alarm Monitoring Systems, Communication Products and Converters, Data Acquisition and Analysis Software, Data Loggers Plug-in Cards, Signal Conditioners, USB, RS232, RS485 and Parallel Port Data Acquisition Systems, Wireless Transmitters and Receivers

• Pressure, Strain and Force

Displacement Transducers, Dynamic Measurement Force Sensors, Instrumentation for Pressure and Strain Measurements, Load Cells, Pressure Gauges, Pressure Reference Section, Pressure Switches, Pressure Transducers, Proximity Transducers, Regulators, Strain Gages, Torque Transducers, Valves

• Heaters

Band Heaters, Cartridge Heaters, Circulation Heaters, Comfort Heaters, Controllers, Meters and Switching Devices, Flexible Heaters, General Test and Measurement Instruments, Heater Hook-up Wire, Heating Cable Systems, Immersion Heaters, Process Air and Duct, Heaters, Radiant Heaters, Strip Heaters, Tubular Heaters