

Precision Thermistor Sensors For Laboratory Applications

ON-400 Series

- ✓ For Use in Laboratory or Other High-Accuracy Applications
- ✓ Rugged Construction Can Be Used for Short-Term Water and Soil Readings

- ✓ Available with a Resistance of 2252 Ω at 25°C (Thermistor Curve #44004)
- ✓ 3 m (10') PVC Insulated Cable and Phone Plug Connector Standard
- ✓ Max Temperature 100°C (212°F)

Dimensions: mm (in)



ON-401-PP shown actual size.

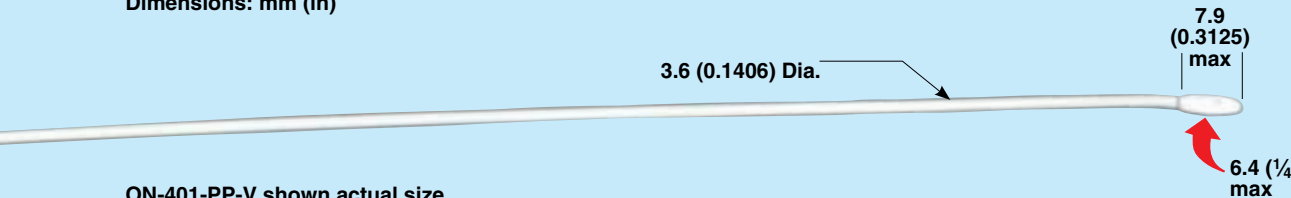
To Order

Model No.	Resistance @ 25°C	Interchangeability @ 0 to 70°C	Temperature Rating	Cable Length	Cable Termination
ON-401-PP	2252 Ω	$\pm 0.1^\circ\text{C}$	100°C (212°F)	3 m (10')	Phone plug

Notes: For additional cable length, add required length (in inches) to end of the model number for an additional cost per foot.

Ordering Example: ON-401-PP, vinyl coated thermistor sensor, 2252 Ω resistance at 25°C, $\pm 0.1^\circ\text{C}$ interchangeability from 0 to 70°C (32 to 158°F), supplied with 3 m (10') of PVC insulated and jacketed cable with a phone plug connector standard.

Dimensions: mm (in)



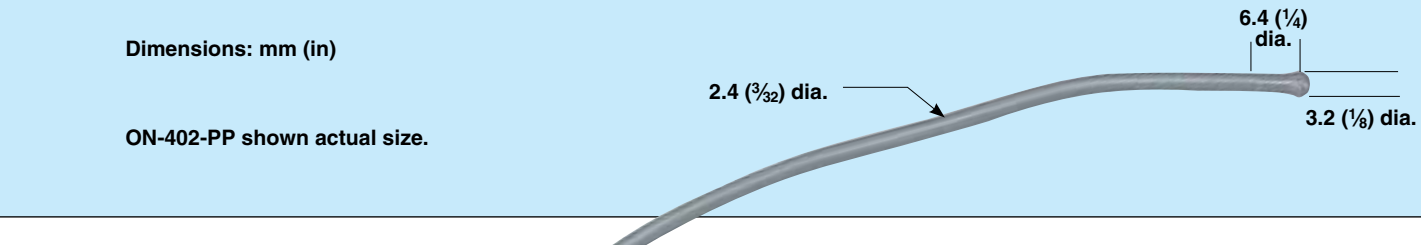
ON-401-PP-V shown actual size.

Model No.	Resistance @ 25°C	Interchangeability @ 0 to 70°C	Temperature Rating	Cable Length	Cable Termination
ON-401-PP-V	2252 Ω	$\pm 0.1^\circ\text{C}$	100°C (212°F)	3 m (10')	Phone plug

Notes: For additional cable length, add required length (in inches) to end of the model number for an additional cost per foot.

Ordering Example: ON-401-PP-V, soft flexible vinyl tipped thermistor sensor, 2252 Ω resistance at 25°C, $\pm 0.1^\circ\text{C}$ interchangeability from 0 to 70°C (32 to 158°F), supplied with 3 m (10') of PVC insulated and jacketed cable with a phone plug connector standard.

Dimensions: mm (in)



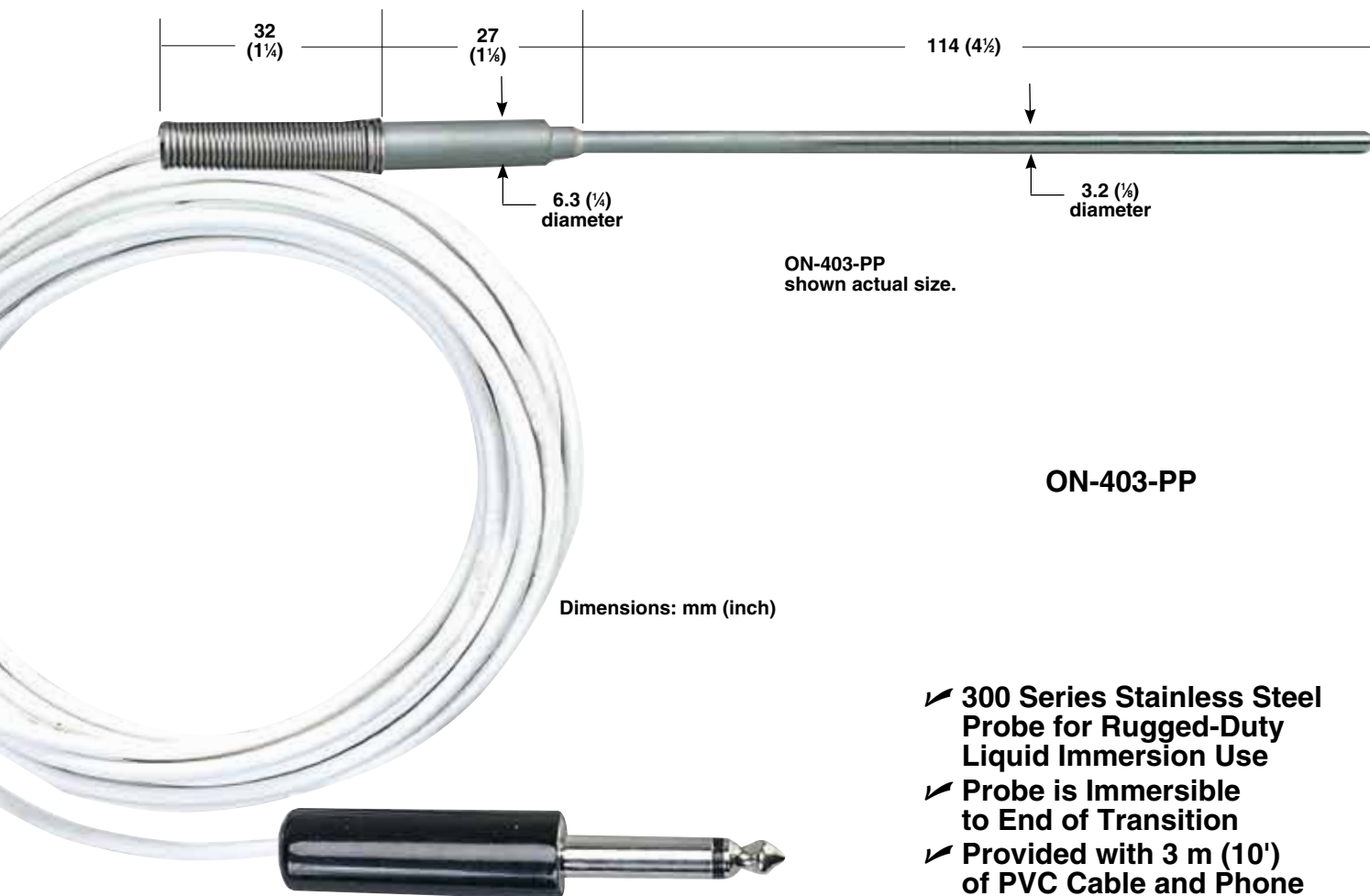
ON-402-PP shown actual size.

Model No.	Resistance @ 25°C	Interchangeability @ 0 to 70°C	Temperature Rating	Cable Length	Cable Termination
ON-402-PP	2252 Ω	$\pm 0.1^\circ\text{C}$	100°C (212°F)	3 m (10')	Phone plug

Ordering Example: ON-402-PP, vinyl tipped thermistor sensor, 2252 Ω resistance at 25°C, $\pm 0.1^\circ\text{C}$ interchangeability from 0 to 70°C (32 to 158°F), supplied with 3 m (10') of PVC insulated and jacketed cable with a phone plug connector standard.

Tubular Thermistor Sensors

For Immersion Temperature Measurements



ON-403-PP
shown actual size.

ON-403-PP

Dimensions: mm (inch)

- ✓ 300 Series Stainless Steel Probe for Rugged-Duty Liquid Immersion Use
- ✓ Probe is Immersible to End of Transition
- ✓ Provided with 3 m (10') of PVC Cable and Phone Plug Connector

To Order

Model Number	Resistance @ 25°C	Interchangeability @ 0 to 70°C	Cable Termination
ON-403-PP	2252 Ω @ 25°C	±0.1°C	Phone plug

Notes: For additional cable length, add required length (in inches) to end of the model number for an additional cost.

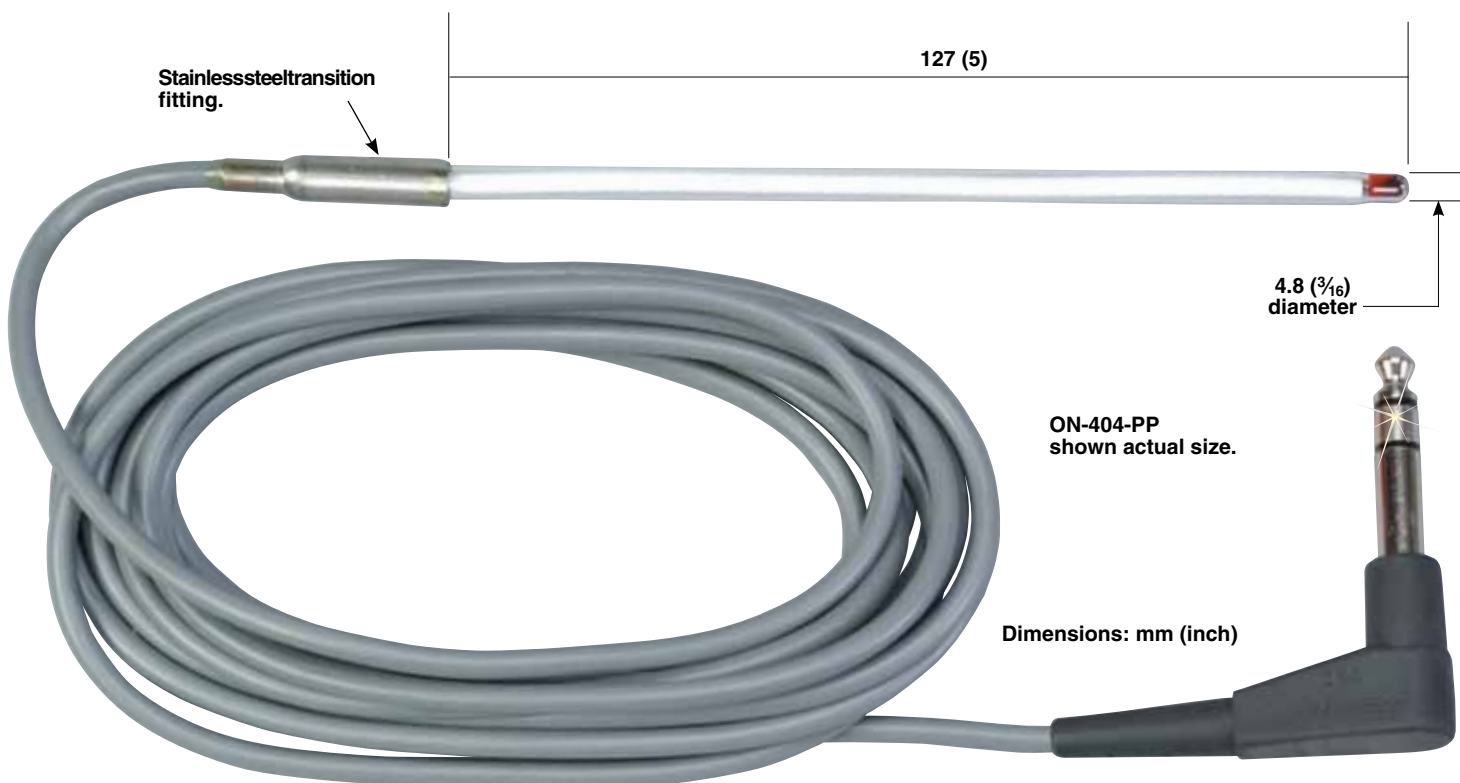
Ordering Examples: ON-403-PP, tubular stainless steel immersion thermistor sensor, 2252 Ω at 25°C, interchangeability is ±0.1°C, 3 m (10') of PVC insulated and jacketed cable and phone plug connector.

ON-403-PP-240, tubular stainless steel immersion thermistor sensor, 2252 Ω at 25°C, interchangeability is ±0.1°C, 6 m (20') of PVC insulated and jacketed cable with phone plug.

Accessories

Model Number	Description
450-ATH	Handheld thermometer, thermistor input
HH41	Handheld thermistor thermometer
HH42	Handheld thermistor thermometer with RS232 communications
SSLK-14-18	¼" tube OD, ½ NPT, 316 SS compression fitting

Tubular Glass Thermistor Sensors For Immersion Temperature Measurements



ON-404-PP

- ✓ Chemically Inert for Liquid Immersion Use
- ✓ Can Be Used for Thermal Titration Studies and Measurement of Freezing Points
- ✓ 127 mm (5") L Pyrex Probe and 3 m (10') of PVC Cable Insulated and Jacketed Cable with Phone Plug Connector Standard

To Order

Model No.	Resistance @ 25°C	Interchangeability @ 0 to 70°C	Cable Termination
ON-404-PP	2252 Ω	±0.1°C	Phone plug

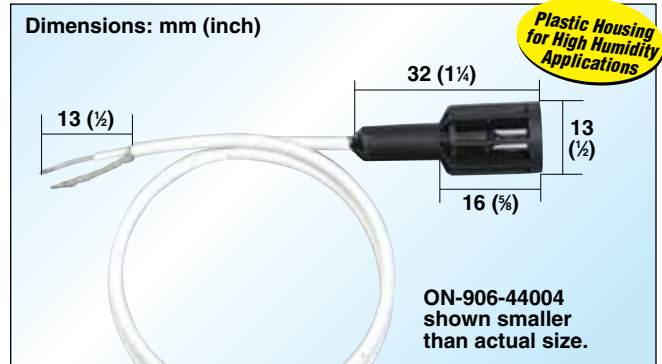
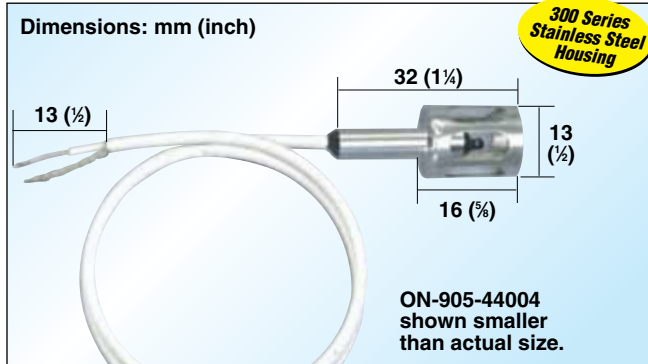
Accessories

Model No.	Description
450-ATH	Handheld thermometer, thermistor input
HH41	Handheld thermistor thermometer
HH42	Handheld thermistor thermometer with RS232 communications

Ordering Example: ON-404-PP, tubular glass immersion thermistor sensor, 2252 Ω at 25°C, interchangeability of ±0.1°C, 3 m (10') of PVC insulated and jacketed cable and phone plug connector.

Precision Thermistor Sensor For Air Temperature Measurements

3 m (10') L vinyl insulated, shielded, vinyl jacketed cable included. ON-405 and 406 supplied with 300 mm (12") of cable and phone plug.



ON-905 and ON-906 Series

- ✓ Ideal for Measuring Air Temperatures in Laboratories and Laminar Flow Systems
- ✓ Metal or Plastic Cage Provides Protection for Thermistor Sensor While Leaving it Open to the Air Flow

- ✓ Available in 5 Resistance Curves
- ✓ Thermistors are Epoxy Coated and Extend Into the Airflow
- ✓ Maximum Temperature 100°C (212°F)

To Order					
Model Number	Resistance @ 25°C	Interchangeability @ 0 to 70°C	Maximum Temperature	Cable Length	Cable Termination
ON-405-PP	2252 Ω	±0.1°C	100°C (212°F)	3 m (10')	Phone plug
ON-406-PP	2252 Ω	±0.1°C	100°C (212°F)	3 m (10')	Phone plug
ON-905-44004	2252 Ω	±0.2°C	100°C (212°F)	300 mm (12")	Stripped
ON-905-44005	3000 Ω	±0.2°C	100°C (212°F)	300 mm (12")	Stripped
ON-905-44007	5000 Ω	±0.2°C	100°C (212°F)	300 mm (12")	Stripped
ON-905-44006	10000 Ω	±0.2°C	100°C (212°F)	300 mm (12")	Stripped
ON-905-44008	30000Ω	±0.2°C	100°C (212°F)	300 mm (12")	Stripped
ON-906-44004	2252 Ω	±0.2°C	100°C (212°F)	300 mm (12")	Stripped
ON-906-44005	3000 Ω	±0.2°C	100°C (212°F)	300 mm (12")	Stripped
ON-906-44007	5000 Ω	±0.2°C	100°C (212°F)	300 mm (12")	Stripped
ON-906-44006	10000 Ω	±0.2°C	100°C (212°F)	300 mm (12")	Stripped
ON-906-44008	30000 Ω	±0.2°C	100°C (212°F)	300 mm (12")	Stripped

Notes: For additional cable length, add required length (in inches) to end of the model number for an additional cost. For a phone plug, add "-PP" to the model number for an additional cost. For tighter interchangeability, substitute the thermistor part number from the table below for an additional cost to the sensor price.

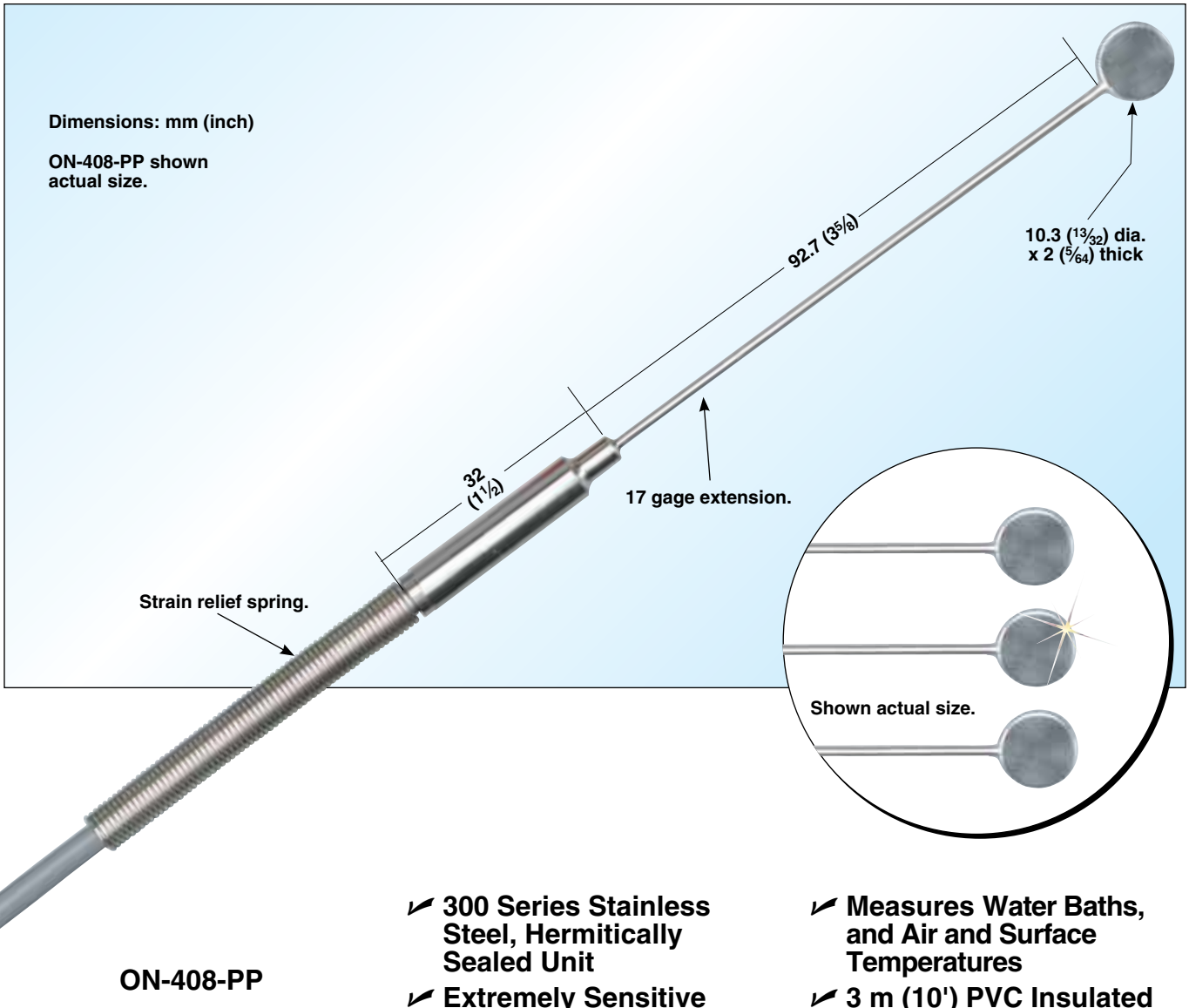
Ordering Examples: **ON-905-44004-36-PP**, air temperature sensor with a steel cage and a resistance of 2252 Ω at 25°C, interchangeability of ±0.2°C, 36" of cable and a phone plug connector.

ON-905-44034-36-PP, air temperature thermistor sensor with steel cage and a resistance of 5000 Ω at 25°C, interchangeability of ±0.1°C, 36" of cable and a phone plug connector.

Optional Thermistors

Model Number	Resistance @ 25°C (Ω)	Maximum Working Temperature	Interchangeability @ 0 to 70°C	Storage and Working Temp for Best Stability
44033	2252	75°C (165°F)	±0.1°C	-80 to 75°C (-110 to 165°F)
44030	3000	75°C (165°F)	±0.1°C	-80 to 75°C (-110 to 165°F)
44034	5000	75°C (165°F)	±0.1°C	-80 to 75°C (-110 to 165°F)
44031	10,000	75°C (165°F)	±0.1°C	-80 to 75°C (-110 to 165°F)
44032	30,000	75°C (165°F)	±0.1°C	-80 to 75°C (-110 to 165°F)

“Banjo” Style Thermistor Sensor



- ✓ 300 Series Stainless Steel, Hermitically Sealed Unit
- ✓ Extremely Sensitive Sensor with Thin Cross-Section Tip Combined and Ultra-Small Diameter Extension Sheath
- ✓ Measures Water Baths, and Air and Surface Temperatures
- ✓ 3 m (10') PVC Insulated and Jacketed Cable with Phone Plug Connector Standard

To Order					
Model No.	Resistance @ 25°C	Interchangeability @ 0 to 70°C	Maximum Temperature	Cable Length	Cable Termination
ON-408-PP	2252 Ω	±0.1°C	100°C (212°F)	3 m (10')	Phone plug

Accessories

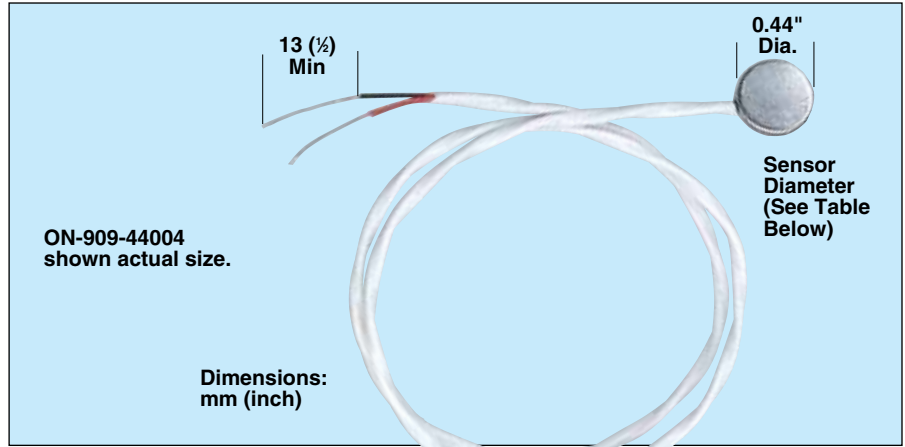
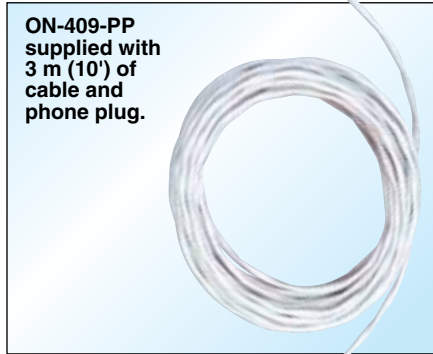
Model No.	Description
450-ATH	Handheld thermometer, thermistor input
865F	Thermistor meter; in 0.1°F resolution mode, -70.0 to 40.1°F, -40.0 to 199.9°F
DP25-TH-A	Thermistor input meter/controller with analog output
HH41	Handheld thermistor thermometer

Ordering Example: ON-408-PP, “banjo” style thermistor sensor, 2252 Ω at 25°C, interchangeability of ±0.1°C, 3 m (10') of cable with a phone plug connector.

Precision Thermistor Sensor

For Surface Temperature Measurements

ON-909 Series



- ✓ Epoxy Encapsulated Thermistor Contained in Stamped, 300 Series SS Housing
- ✓ Construction Provides Maximum Surface Contact
- ✓ 26 AWG Stranded PFA Insulated and Jacketed Cable (See Table for Length)
- ✓ Ideally Suited for Applications Such as Determining Heat Loss, Compressor Efficiency and Measuring Manifold or Bearing Temperature
- ✓ Max Temperature 100°C (212°F)

To Order						
Model Number	Resistance @ 25°C	Interchangeability @ 0 to 70°C	Max Temp	Tip Diameter (inch)	Cable Length	Cable Termination
ON-409-PP	2252 Ω	±0.1°C	100°C (212°F)	0.44"	3 m (10')	Phone plug
ON-909-44004	2252 Ω	±0.2°C	100°C (212°F)	0.38"	300 mm (12")	Stripped
ON-909-44005	3000 Ω	±0.2°C	100°C (212°F)	0.38"	300 mm (12")	Stripped
ON-909-44007	5000 Ω	±0.2°C	100°C (212°F)	0.38"	300 mm (12")	Stripped
ON-909-44006	10000 Ω	±0.2°C	100°C (212°F)	0.38"	300 mm (12")	Stripped
ON-909-44008	30000 Ω	±0.2°C	100°C (212°F)	0.38"	300 mm (12")	Stripped
ON-909-44004-40	2252 Ω	±0.2°C	100°C (212°F)	0.38"	1 m (40")	Stripped
ON-909-44005-40	3000 Ω	±0.2°C	100°C (212°F)	0.38"	1 m (40")	Stripped
ON-909-44007-40	5000 Ω	±0.2°C	100°C (212°F)	0.38"	1 m (40")	Stripped
ON-909-44006-40	10000 Ω	±0.2°C	100°C (212°F)	0.38"	1 m (40")	Stripped
ON-909-44008-40	30000 Ω	±0.2°C	100°C (212°F)	0.38"	1 m (40")	Stripped

Notes: For additional cable length, add required length (in inches) to end of the model number for additional cost. For a phone plug, add "-PP" to the model number for additional cost. For tighter interchangeability, substitute the thermistor part number from the table below and add the price listed to the sensor price.

Ordering Examples: ON-909-44004-40-PP, surface thermistor sensor with a resistance of 2252 Ω at 25°C and an interchangeability of ±0.2°C, 1 m (40") of cable and a phone plug connector.

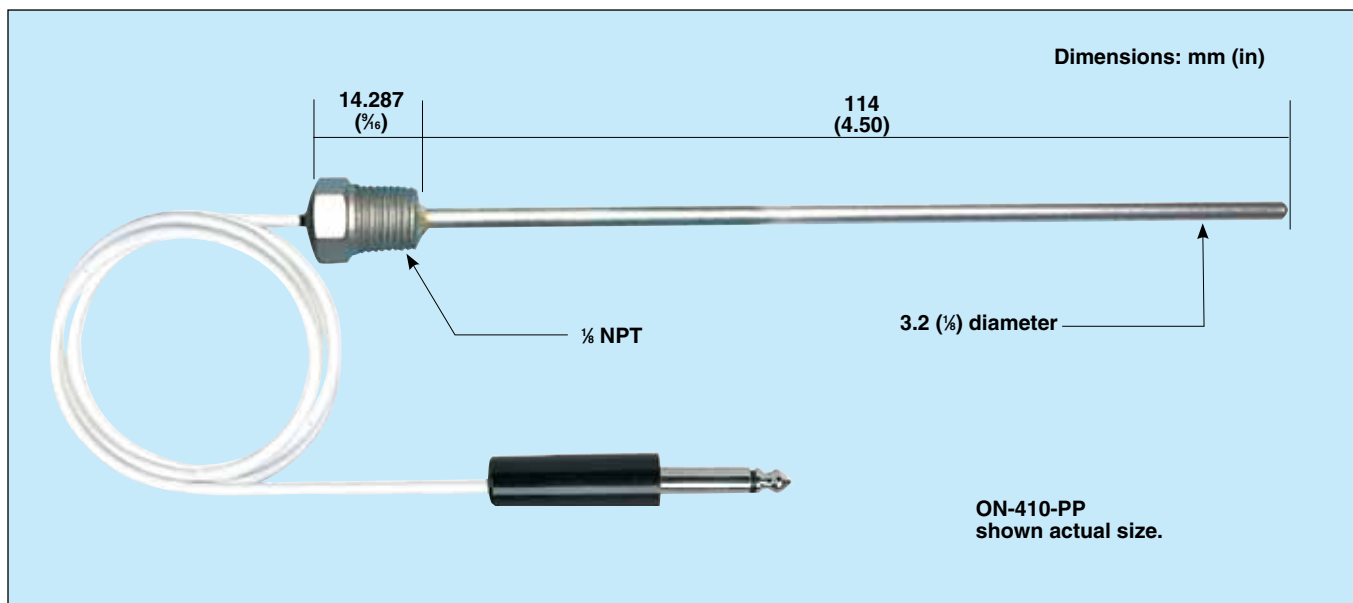
ON-909-44032-40-PP, surface thermistor sensor with a resistance of 30000 Ω at 25°C and an interchangeability of ±0.1°C, 1 m (40") of cable and a phone plug connector.

Optional Thermistors

Model Number	Resistance @ 25°C (Ω)	Maximum Working Temp	Interchangeability @ 0 to 70°C	Storage and Working Temp for Best Stability
44033	2252	75°C (165°F)	±0.1°C	-80 to 75°C (-110 to 165°F)
44030	3000	75°C (165°F)	±0.1°C	-80 to 75°C (-110 to 165°F)
44034	5000	75°C (165°F)	±0.1°C	-80 to 75°C (-110 to 165°F)
44031	10,000	75°C (165°F)	±0.1°C	-80 to 75°C (-110 to 165°F)
44032	30,000	75°C (165°F)	±0.1°C	-80 to 75°C (-110 to 165°F)

Tubular Thermistor Sensors

For Immersion Temperature Measurements



ON-410-PP

- ✓ Threaded Fitting Provides 1/8 NPT Thread for Installation in Pipes or Closed Vessels
- ✓ Can Be Used in Liquid Immersion and Pressurized Applications
- ✓ Available in 5 Resistance Values To Fit Your Instrumentation Needs
- ✓ Maximum Temperature 100°C (212°F)
- ✓ 3 m (10') PVC Insulated and Jacketed Cable with Phone Plug Standard

To Order					
Model Number	Resistance @ 25°C	Interchangeability @ 0 to 70°C	Maximum Temperature	Cable Length	Cable Termination
ON-410-PP	2252 Ω	±0.1°C	100°C (212°F)	3 m (10')	Phone plug

Notes: For additional cable length, add required length (in inches) to end of the model number for an additional cost.

Ordering Example: ON-410-PP, tubular immersion sensor, 2252 Ω resistance at 25°C, ±0.10°C interchangeability from 0 to 70°C (32 to 158°F), supplied with 3 m (10') of PVC insulated and jacketed cable with a phone plug connector standard.

Accessories

Model Number	Description
CN1501-TH-1	Controller with 240 Vac power
DP25-TH	Precision panel meter/controller
450-ATH	Handheld thermometer, thermistor input
HH41	Handheld thermistor thermometer
HH42	Handheld thermistor thermometer with RS232 communications
HH83	Thermometer/data logger
5831	Benchttop thermometer
OM-SQ2010	Data logger