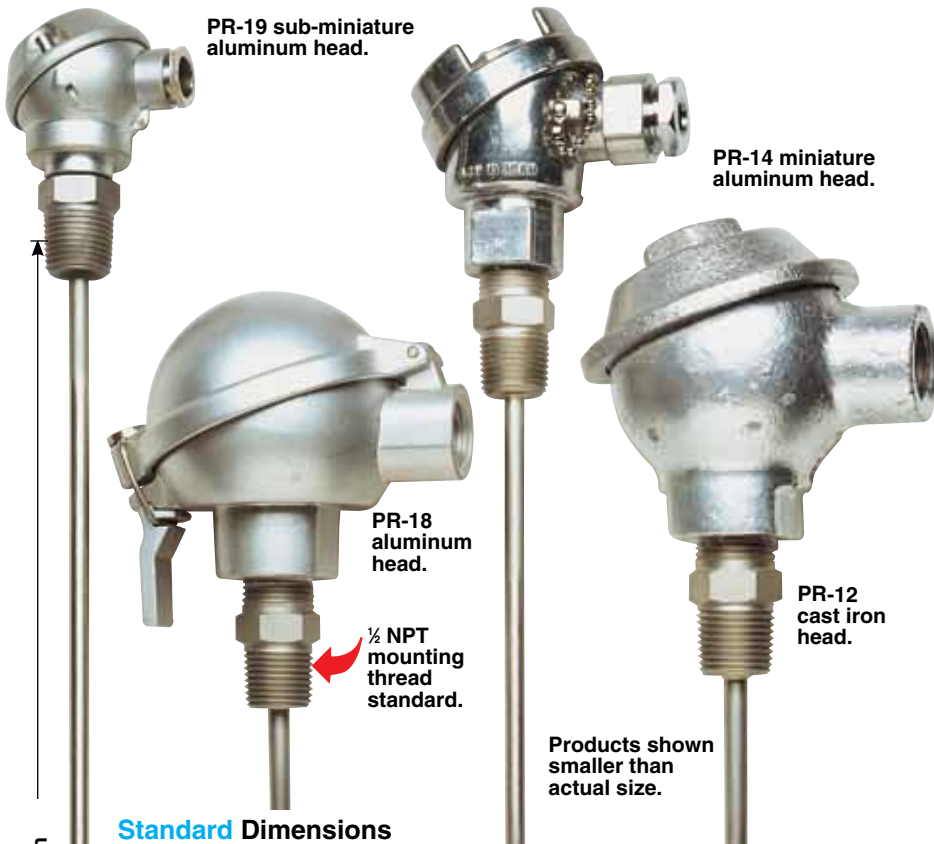


Platinum RTD Probes

Spring Loaded for Use in Thermowells

Standard and Metric Dimensions

PR Series



- ✓ Include Spring Loaded Probes for Improved Response Time and Vibration Resistance When Used in Thermowells (See omega.com for Thermowells)
- ✓ Standard Probes are Supplied with 100 Ω, Class "A" DIN Platinum Elements in 3-Wire Configurations
- ✓ Multiple Connection Head Options Include Screw Cover and Snap Locking Enclosures with Ceramic Terminal Boards (See Table on Next Page)
- ✓ Optional 4 to 20mA Transmitters Can Conveniently be Installed into PR-12 and PR-18 Protection Heads

Note: No transmitters are available for the -14 and -19 heads.

Note: When installed in a thermowell, the thread engagement will equal the spring loading compression length.

Standard Dimensions

To Order			
Model Number	Lead Type†	Ω at 0°C	Sheath Length
PR-(**)-2-100-(*)-6-E-SL	2	100	6"
PR-(**)-2-100-(*)-9-E-SL	2	100	9"
PR-(**)-2-100-(*)-12-E-SL	2	100	12"
PR-(**)-2-100-(*)-18-E-SL	2	100	18"
PR-(**)-2-100-(*)-24-E-SL	2	100	24"

* Specify 1/8, 3/16 or 1/4 for probe diameter in inches. Other lengths readily available.

** Specify protection head style: 12 = cast iron; 14 = miniature aluminum; 18 = aluminum; 19 = subminiature aluminum.

† 3-wire lead configuration standard, contact sales for other configurations.

Ordering Example: PR-12-2-100-1/14-6-E-SL, industrial RTD probe with cast iron head, 3-wire configuration (style 2), 100 Ω, Class "A" DIN Platinum 1/4" diameter, 6" length, European curve (α = 0.00385).

Metric Dimensions

To Order			
Model Number	Lead Type†	Ω at 0°C	Sheath Length
PR-(**)-2-100-(*)-150-E-SL	2	100	150 mm
PR-(**)-2-100-(*)-225-E-SL	2	100	225 mm
PR-(**)-2-100-(*)-300-E-SL	2	100	300 mm
PR-(**)-2-100-(*)-450-E-SL	2	100	450 mm
PR-(**)-2-100-(*)-600-E-SL	2	100	600 mm

* Specify: M30, M45 or M60 for probe diameter in millimeters. Other lengths readily available.

** Specify protection head style: 12 = cast iron; 14 = miniature aluminum; 18 = aluminum; 19 = subminiature aluminum.

† 3-wire lead configuration standard, contact sales for other configurations.

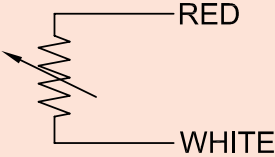
Ordering Example: PR-12-2-100-M60-150-E-SL, industrial RTD probe with cast iron head, 3-wire configuration (style 2), 100 Ω, Class "A" DIN Platinum 6 mm diameter, 150 mm length, European curve (α = 0.00385).

Connection Head Options

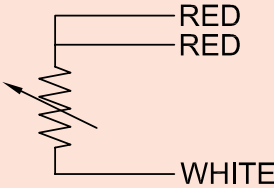
Model No.	Connection Head Style	Material	Conduit Connection
PR-12	NB1 screw top	Cast iron	½ NPT
PR-14	NB2 screw top sub miniature	Aluminum	½ NPT with compression fitting for ⅛ to ¼" OD cable
PR-18	NB3 flip top	Aluminum	½ NPT
PR-19	NB4 screw down, subminiature	Aluminum	M16 x 1.0 with compression fitting

All of these sensors are supplied with ceramic terminal blocks with the sensors wired as shown.

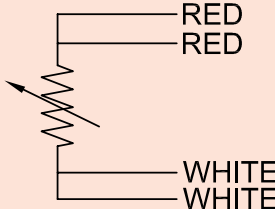
Use RTD Extension Wire, e.g., EXTT-3CU Series. visit us online.



STYLE 1
2-WIRE



STYLE 2
3-WIRE
(STANDARD)



STYLE 3
4-WIRE

For Additional Transmitter Options Visit Us Online



TX92 miniature transmitter.



TX94 ultra-low profile transmitter.



TX904 field rangeable transmitter.

When the sensors are used in remote locations, or in environments where electro-magnetic noise is prevalent. Transmitters are a perfect choice. The transmitters shown above will convert the resistance of the RTD to a 4 to 20 mA signal (for use in PR-12 and -18 heads only, no transmitters available for -14 and -19 heads).

OMEGA can supply your thermowell needs, the following are styles available from stock:



260S Series general use thermowell.



260L Series lagging extension thermowell.



260A Series limited space thermowell.



260F Series flanged thermowell.