

HIGH-ACCURACY VOLTAGE OUTPUT PRESSURE TRANSDUCER WITH SHUNT FOR QUICK CALIBRATION CHECKS

PX951 Series
 0-10 to 0-7500 psi
 0-0.7 to 0-500 bar

Starts at
\$675



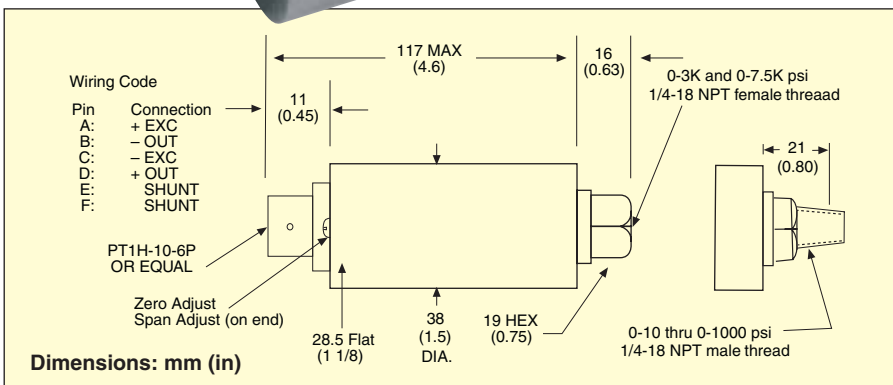
PX951-1KS5V, \$675, shown smaller than actual size.



Zero and span adjustments.



- ✓ **Stainless Steel Diaphragm for Compatibility with Most Media**
- ✓ **1/4 NPT Fitting for Fast, Easy, and Secure Installation**
- ✓ **Rugged Stainless Steel Case Protects Components from Industrial Environments**
- ✓ **Quick Disconnect Style for Easy Field Connections**
- ✓ **0 to 5 Vdc Output for Maximum Versatility**
- ✓ **Adjustable Zero and Span**
- ✓ **Units ≤50 psi are Vented Gage for High Precision**



Burst Pressure: 300% range

CONSTRUCTION

Body Material: 17-4 PH stainless steel
 Diaphragm Material: 17-4 PH stainless steel
 Pressure Port: 1/4-18 NPT

Male Thread: 10 to 1000 psi
 Female thread: 3000 to 7500 psi
 Mating Connector: PT06F-10-6S-R (not included)
 Weight: 383 g (13.5 oz)

MOST POPULAR MODELS HIGHLIGHTED!

To Order (Specify Model Number)

RANGE	MODEL NO.	PRICE	COMPATIBLE METERS*
0 to 10 psi	PX951-010G5V	\$695	DP41-E, DP25B-E, DP460
0 to 25 psi	PX951-025G5V	695	DP41-E, DP25B-E, DP460
0 to 50 psi	PX951-050G5V	675	DP41-E, DP25B-E, DP460
0 to 100 psi	PX951-100S5V	675	DP41-E, DP25B-E, DP460
0 to 200 psi	PX951-200S5V	675	DP41-E, DP25B-E, DP460
0 to 500 psi	PX951-500S5V	675	DP41-E, DP25B-E, DP460
0 to 1000 psi	PX951-1KS5V	675	DP41-E, DP25B-E, DP460
0 to 3000 psi	PX951-3KS5V	675	DP41-E, DP25B-E, DP460
0 to 5000 psi	PX951-5KS5V	675	DP41-E, DP25B-E, DP460
0 to 7500 psi	PX951-7.5KS5V	675	DP41-E, DP25B-E, DP460

SPECIFICATIONS

Excitation: 24 to 32 Vdc @ 25 mA
 Output: 0 to 5 Vdc (4 wire) ±10% adj
 Insulation Resistance: 5 MΩ @ 75 Vdc
PERFORMANCE
 Accuracy: ±0.15% (combined effect of linearity, hysteresis and repeatability)
 Hysteresis: ±0.10% typical
 Repeatability: +0.05% typical
 Zero Balance: 0 Vdc ±10% adj
 Shunt Value: 80% full scale
 Response Time: 2 ms
 Operating Temperature Range: -45 to 121°C (-50 to 250°F)
 Compensated Temperature Range: 16 to 71°C (60 to 160°F)
 Thermal Zero Effect: ±0.005% full scale/°F
 Thermal Sensitivity Effect: ±0.005% reading/°F
 Proof Pressure: 150% range

Comes with 5-point calibration.

* See section D for compatible meters.

Absolute ranges available, replace "G" or "S" with "A" in model number and add \$75.

Ordering Examples: PX951-050G5V, 50 psi gage transmitter with 0 to 5 Vdc output, \$675.
 PX951-1KA5V, 1000 psi absolute transmitter with 0 to 5 Vdc output, \$675 + \$75 = \$750.
 PT06F-10-6S-R, mating connector (not included), \$26.50.

ACCESSORY

MODEL NO.	PRICE	DESCRIPTION
ME-1756	\$110	Reference Book: Practical Injection Molding

