

PRESSURE TRANSMITTER FOR HAZARDOUS LOCATIONS

EXPLOSION/FLAME PROOF AND IS RATED



Compound Ranges: Vac to 100 psi (-1 to 7 bar)

Gage Ranges:

0 to 5 to 0 to 10,000 psi

(0 to 344 mbar to 0 to 690 bar)

4 to 20 mA Output

PX835 Series



Designed to Meet the Stringent Requirements for use in Hazardous Industrial Locations Such as:

- ✓ Oil Field Equipment
- ✓ Upstream Oil and Gas Production
- ✓ Natural Gas Compression and Transfer Control
- ✓ Alternative Energy Projects
- ✓ Fuel Cell Manufacturing

The PX835 explosion proof pressure transmitter is ideal for a broad spectrum of pressure sensing requirements, requiring approvals for explosion/flame proof. The PX835 is designed with an all welded stainless steel case and manufactured to provide the user with accurate, reliable, and stable output data. This is accomplished through the use of state of the art sensor technology combined with digital calibration to provide extremely linear and precise performance over the entire specified pressure and temperature range.

SPECIFICATIONS

Output: 4 to 20 mA_{dc} (2-wire)

Supply Voltage: 12 to 32 V_{dc}
V_{min} = 12 V + (0.022A x loop res)

Insulation Resistance (Circuit to Case): 100M Ω @ 30 V_{dc}

Circuit Protection: Reverse polarity and mis-wire protected



1/2 NPT male conduit fitting

1/4 NPT male

PX835 Series shown actual size.

Accuracy: ±0.5% TP; ±0.40% BFSL includes non-linearity, hysteresis and non-repeatability, zero offset and span setting errors (add 0.05% for ranges above 5000 psi)

Stability: ≤±0.25% span/year @ ref conditions (21°C/70°F)

Response Time: 2 ms

Storage/Process/Operating

Temperature: -40 to 125°C (-40 to 257°F)

Compensated Temperature: -20 to 85°C (-4 to 185°F)

Temperature Effects (Over Comp Range): 2% span

Humidity Effects: No performance effects 0 to 95% RH, non-condensing

Vibration:

Shock: 100 g peak, 11 ms

Random: 10 g RMS, 20 to 2000 Hz

Sweep: 50 to 2000 Hz, 5 g peak

Position Effect: ±0.02% typical

OVERPRESSURE:	PROOF	BURST
0/Vac to 300 psi:	1.5 x FS	2 x FS min
500 to 10,000 psi:	1.2 x FS	1.5 x FS

Electrical Termination: 1/2 NPT male conduit fitting and 4.6 m (15') cable with flying lead termination

Pressure Connection: 1/4 NPT male

Environmental Rating: NEMA 7, 9 (IP65)

Hazardous Area Certifications:

Explosion Proof - cUL (USA/CNL):

Specify PX835; Class I, Div 1 & 2, Groups A, B, C, and D; Class II, Div 1 & 2, Groups E, F, and G

Flame Proof - ATEX: Specify PX835

CE Ex II 2 G; Ex d IIC T4

Intrinsically Safe - FM/CSA:

Class I, Div 1; Class I, Div 2, non-incendive

CE Compliance: EN 61326: 1997 + A1:1998 Annex A, A2/2001

Heavy Industrial Immunity (Annex A table A.1); Light Industrial/Residential Emission (Table 4)

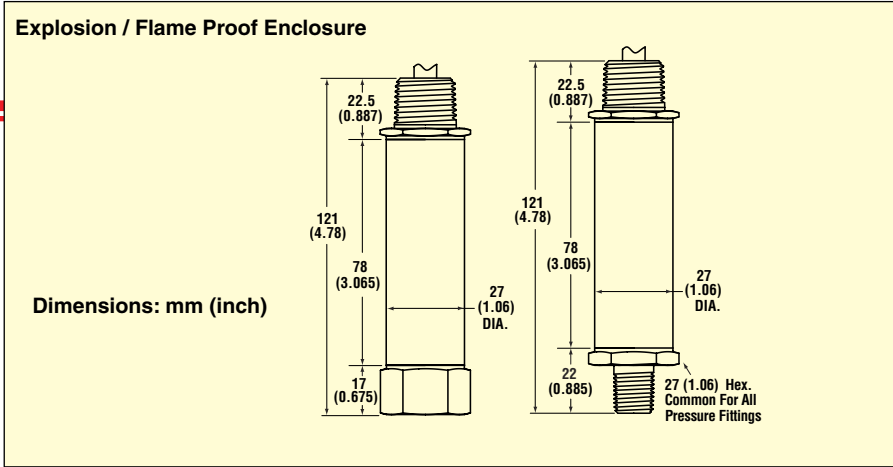
Wetted Parts: 316SS diaphragm and pressure port

Case: 304 SS

Cable Gland: Fits cable diameter 9 to 12 mm (0.35 to 0.47")

Weight: Approximately 254 g (8 oz)

PRESSURE TRANSMITTERS B



- ✓ Explosion Proof
- ✓ Flame Proof
- ✓ Intrinsically Safe

To Order Visit omega.com/px835 for Pricing and Details

RANGE		4 to 20 mA OUTPUT MODEL
psi	bar	
¼ NPT MALE CONDUIT FITTING		
VACUUM and COMPOUND RANGES		
0 to Vac	0 to -1	PX835-15NGI
Vac to 15	-1 to +1	PX835-015CGI
Vac to 30	-1 to +2	PX835-030CGI
Vac to 45	-1 to +3	PX835-045CGI
Vac to 60	-1 to +4	PX835-060CGI
Vac to 100	-1 to +7	PX835-100CGI
GAGE PRESSURE RANGES		
0 to 5	0 to 0.3	PX835-005GI
0 to 10	0 to 0.7	PX835-010GI
0 to 15	0 to 1	PX835-015GI
0 to 30	0 to 2	PX835-030GI
0 to 60	0 to 4	PX835-060GI
0 to 100	0 to 7	PX835-100GI
0 to 150	0 to 10	PX835-150GI
0 to 200	0 to 14	PX835-200GI
0 to 300	0 to 20	PX835-300GI
0 to 500	0 to 34	PX835-500GI
0 to 750	0 to 51	PX835-750GI
0 to 1000	0 to 69	PX835-1KGI
0 to 1500	0 to 103	PX835-1.5KGI
0 to 2000	0 to 138	PX835-2KGI
0 to 3000	0 to 207	PX835-3KGI
0 to 5000	0 to 345	PX835-5KGI
0 to 7500	0 to 517	PX835-7.5KGI
0 to 10,000	0 to 690	PX835-10KGI



PX835 Series shown actual size.

Comes complete with 9-point NIST traceable calibration and operating instructions.
 For oxygen cleaning, add suffix "-X6B" to model number, for additional cost.
Ordering Example: PX835-030GI, 0 to 30 psi range pressure transmitter, 4 to 20 mA output, ¼ NPT male termination.