

# LOW-PRESSURE SUBMERSIBLE TRANSMITTER

## STANDARD AND METRIC MODELS

**4 to 20 mA Output**  
**0-1 to 0-10 psi**  
**0-70 to 0-700 mbar**

### PX79/PXM79 Series



Standard

OMEGA's PX79/PXM79 are suitable for liquid level and depth measurement. A stainless steel housing and Inconel diaphragm make them suitable for immersion in most industrial fluids. A 15 m (50') vented cable provides an atmospheric reference.

### SPECIFICATIONS

#### ELECTRICAL

**Excitation:** 10 to 40 Vdc

**Output:** 4 to 20 mA  $\pm 10\%$

**Max Loop Resistance:**  
 (Input voltage - 10) x 50

**Span:** 16 mA  $\pm 0.2$  mA

**Zero Balance:** 4 mA  $\pm 0.2$  mA

#### PERFORMANCE

**Accuracy:** 0.5% linearity, hysteresis and repeatability combined

#### ENVIRONMENTAL

**Operating Temp Range:**

-34 to 93°C (-30 to 200°F)

**Compensated Temp Range:**

-1 to 54°C (30 to 130°F)

**Thermal Effects:**

**Span:** 0.0054% of rdg/°C

**Zero:** 0.009% of FSO/°C

#### PRESSURE

**Exterior Pressure:** 250 psi (17.2 bar) maximum

#### MECHANICAL

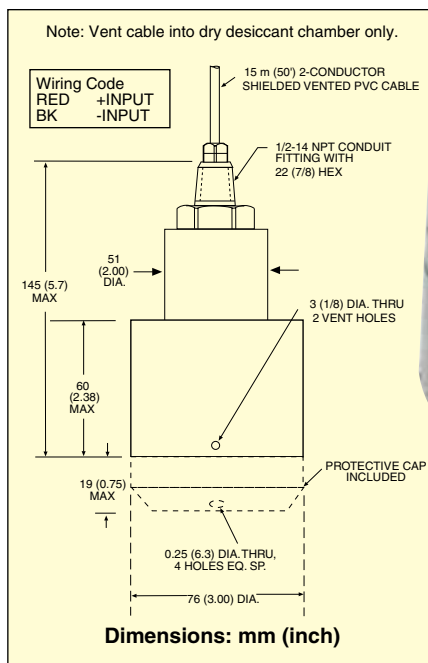
**Wetted Parts:** 316 stainless steel with 625 Inconel diaphragm

**Pressure Port:** Nose protector included

**Electrical Connection:**

15 m (50') PVC-insulated shielded and vented cable

**Notice:** OMEGA does not offer a warranty on this product, its use, or application. It is the end user's responsibility to assure proper installation and use of this transmitter.



**STANDARD**  
 PX79U7-001GI, shown smaller than actual size.

Supplied with desiccant.

SPECIALTY PRESSURE TRANSDUCERS B

### STANDARD MODELS

To Order 15 m (50') Cable Standard				
RANGE			MODEL NO.	COMPATIBLE METERS*
psig	bar	inH <sub>2</sub> O		
0 to 1	0 to 0.07	28	PX79U7-001GI	DP41-E, DP25B-E, DP24-E
0 to 2	0 to 0.14	55	PX79U7-002GI	DP41-E, DP25B-E, DP24-E
0 to 3	0 to 0.2	83	PX79U7-003GI	DP41-E, DP25B-E, DP24-E
0 to 4	0 to 0.3	111	PX79U7-004GI	DP41-E, DP25B-E, DP24-E
0 to 5	0 to 0.34	138	PX79U7-005GI	DP41-E, DP25B-E, DP24-E
0 to 10	0 to 0.69	277	PX79U7-010GI	DP41-E, DP25B-E, DP24-E

### METRIC MODELS

RANGE			MODEL NO.	COMPATIBLE METERS*
mbar	psi	mH <sub>2</sub> O		
0 to 70	0 to 1	0.71	PXM79U7-070MBARGI	DP41-E, DP25B-E, DP24-E
0 to 150	0 to 2	1.5	PXM79U7-150MBARGI	DP41-E, DP25B-E, DP24-E
0 to 200	0 to 3	2.0	PXM79U7-200MBARGI	DP41-E, DP25B-E, DP24-E
0 to 275	0 to 4	2.8	PXM79U7-275MBARGI	DP41-E, DP25B-E, DP24-E
0 to 350	0 to 5	3.6	PXM79U7-350MBARGI	DP41-E, DP25B-E, DP24-E
0 to 700	0 to 10	7.1	PXM79U7-700MBARGI	DP41-E, DP25B-E, DP24-E

Comes complete with NIST traceable calibration, desiccant and operator's manual.

\* Visit us online for compatible meters.

To order with extra cable, add suffix "-(length in meters)M" and additional cost beyond standard 15 m (50') length.

**Ordering Examples:** PX79U7-004GI, 4 psi gage pressure transmitter with 4 to 20 mA output and standard 15 m (50') of vented cable.

PXM79U7-200MBARGI, 200 mbar gage pressure transmitter with 4 to 20 mA output and standard 15 m (50') of vented cable.

### ACCESSORY

MODEL NO.	DESCRIPTION
A019385	Replacement desiccant