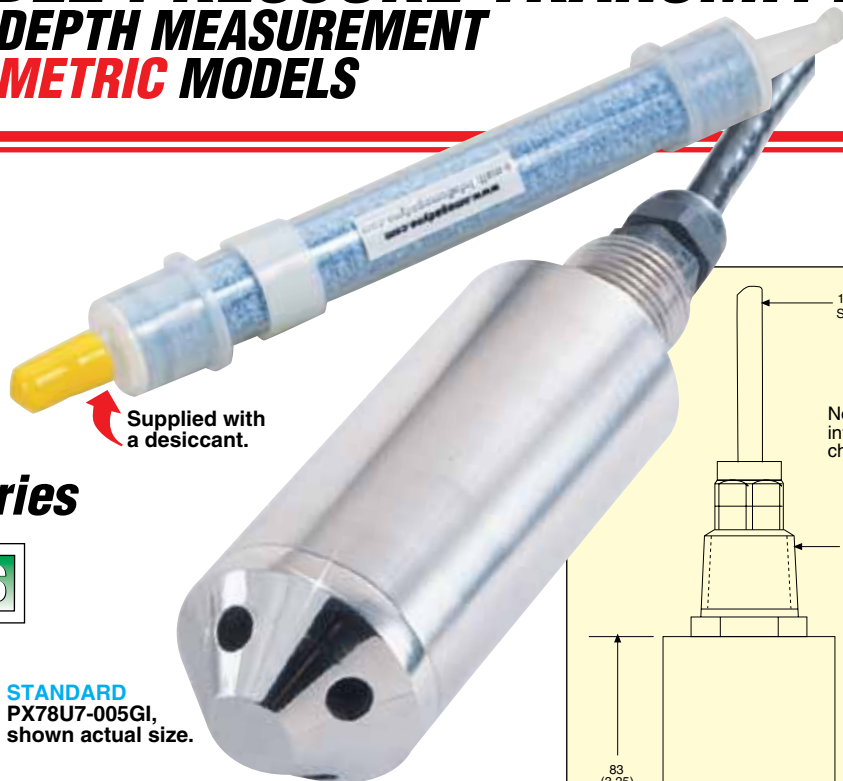


SUBMERSIBLE PRESSURE TRANSMITTER

FOR LEVEL AND DEPTH MEASUREMENT

STANDARD AND METRIC MODELS

4-20 mA Output
0-4 to 0-15 psi
0-275 mb to 1 bar
38 mm (1.5") Dia.



PX78/PXM78 Series



STANDARD
PX78U7-005GI,
 shown actual size.

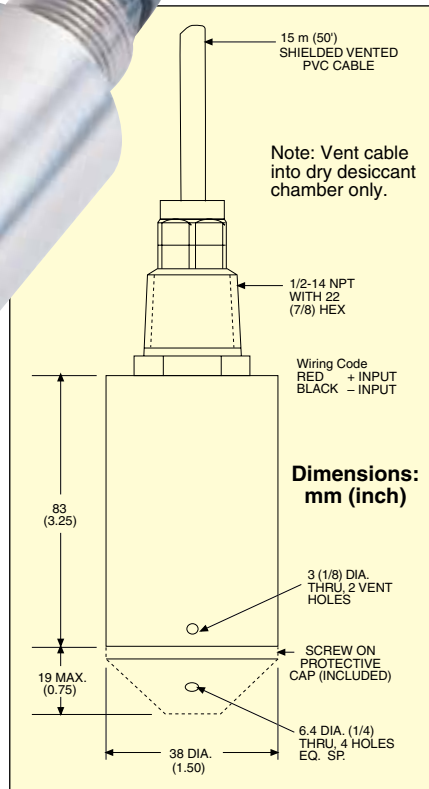
- ✓ All Stainless Steel Housing
- ✓ Hermetically Sealed
- ✓ Protective Cap Included
- ✓ 15 m (50') Vented Cable Standard

OMEGA's PX78/PXM78 are submersible transmitter suitable for liquid level and depth measurement. Their all stainless steel, hermetically sealed housing makes them suitable for immersion in most industrial liquids and oils. A 15 m (50') vented cable (longer lengths available) provides an atmospheric pressure reference.

SPECIFICATIONS

Excitation: 10 to 40 Vdc
Output: 4 to 20 mA ±10%
Max Loop Resistance:
 (Input voltage – 10) x 50
Zero Balance: 4 mA ±0.5%
Accuracy: 0.5% linearity, hysteresis and repeatability combined
Operating Temp Range:
 -29 to 93°C (-20 to 200°F)
Compensated Temp Range:
 16 to 71°C (60 to 160°F)
Thermal Effects:
Span: 0.0054% rdg/°C
Zero: 0.009% FSO/°C
Proof Pressure: 150% of rated pressure
Burst Pressure: 300% of rated pressure
Wetted Parts: 316 stainless steel diaphragm, 17-4 stainless steel housing

Pressure Port: Nose protector included
Electrical Connection:
 15 m (50') PVC-insulated shielded and vented cable
Notice: OMEGA does not offer a warranty on this product, its use, or application. It is the end user's responsibility to assure proper installation and use of this transmitter.



STANDARD MODELS

To Order 15 m (50') Cable				
psig	bar	ftH ₂ O	MODEL NO.	COMPATIBLE METERS*
0 to 4	0 to 0.27	9.2	PX78U7-004GI	DP41-E, DP25B-E, DP24-E
0 to 5	0 to 0.34	11.5	PX78U7-005GI	DP41-E, DP25B-E, DP24-E
0 to 10	0 to 0.69	23.1	PX78U7-010GI	DP41-E, DP25B-E, DP24-E
0 to 15	0 to 1.0	34.6	PX78U7-015GI	DP41-E, DP25B-E, DP24-E

METRIC MODELS

mbar	psi	mH ₂ O	MODEL NO.	COMPATIBLE METERS*
0 to 270	0 to 4	2.8	PXM78U7-275MBARGI	DP41-E, DP25B-E, DP24-E
0 to 350	0 to 5	3.6	PXM78U7-350MBARGI	DP41-E, DP25B-E, DP24-E
0 to 700	0 to 10	7.1	PXM78U7-700MBARGI	DP41-E, DP25B-E, DP24-E
0 to 1 bar	0 to 15	10.2	PXM78U7-001BARGI	DP41-E, DP25B-E, DP24-E

Comes complete with NIST traceable calibration, desiccant and operator's manual.
 * Visit us online for compatible meters.

To order with extra cable, add suffix "**-(length in meters)M**" and additional cost beyond standard 15 m (50') length.

Ordering Examples: **PX78U7-015GI-100FT**, 15 psi transmitter with 4 to 20 mA output and 30 m (100') vented cable.

PXM78U7-350MBARGI-30M, 350 mbar gage pressure transmitter with 4 to 20 mA output and 30 m (100') total length of vented cable.

ACCESSORY

MODEL NO.	DESCRIPTION
A019385	Replacement desiccant