

INDUSTRIAL THIN-FILM TRANSDUCER WITH FLUSH DIAPHRAGM ALL STAINLESS STEEL

100 to 5000 psi
7 to 345 bar
4 to 20 mA Output

PX675 Series

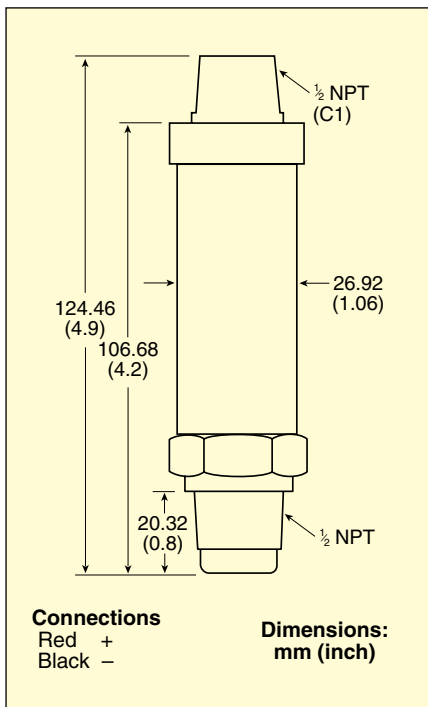


- ✓ All Stainless Steel Construction
- ✓ NEMA 4X (IP65) Enclosure
- ✓ Excellent for Paper Mills and Printing Presses
- ✓ Thin-Film Reliability
- ✓ 100% Production Calibrated

The PX675 Series transducers use reliable thin-film technology combined with a flush stainless steel diaphragm to deliver a rugged industrial transducer for applications where an orifice type transducer would not be suitable.

SPECIFICATIONS

Excitation: 10 to 36 Vdc unregulated
Loop Power: $V_{min} = 10 V + [0.022 \times R_L]$
Output: 4 to 20 mA
Zero Balance: $\pm 1\%$ FS
Linearity: $\pm 0.4\%$ BFSL
Hysteresis: $\pm 0.2\%$
Repeatability: $\pm 0.15\%$
Operating Temperature:
 -29 to 82°C (-20 to 180°F)
Compensated Temperature:
 -29 to 71°C (-20 to 160°F)
Thermal Effects:
Zero: $\pm 0.04\%$ FS/°F
Span: $\pm 0.04\%$ FS/°F
Proof Pressure:
 100 to 2K psi = 200%
 3K to 5K = 150% full scale



PX675-100SI,
shown actual size.



CURRENT OUTPUT
PRESSURE TRANSDUCERS

B

Burst Pressure:
 100 to 2K psi = 800% full scale
 3K to 5K = 300% full scale
Vibration: $\leq \pm 0.1\%$ FS effect for 20 g,
 0 to 400 Hz in any axis
Shock: $\leq 0.1\%$ effect for 20 g,
 20 ms in any axis
Wetted Parts:
Fitting: 316 SS
Diaphragm: 316Ti SS
Pressure Connection: 1/2 NPT male
Electrical Conn: 1/2 NPT conduit thread
Cable: No. 24 AWG, 36" PVC shielded,
 vented UL approved
Weight: 284 g (10 oz) maximum

To Order

RANGE		MODEL NO.	COMPATIBLE METERS*
0 to 100 psis	0 to 6.9 bar	PX675-100SI	DP41-E, DP302-E, DP460-E
0 to 150 psis	0 to 10.3 bar	PX675-150SI	DP41-E, DP302-E, DP460-E
0 to 200 psis	0 to 13.8 bar	PX675-200SI	DP41-E, DP302-E, DP460-E
0 to 300 psis	0 to 20.7 bar	PX675-300SI	DP41-E, DP302-E, DP460-E
0 to 500 psis	0 to 34.5 bar	PX675-500SI	DP41-E, DP302-E, DP460-E
0 to 750 psis	0 to 51.7 bar	PX675-750SI	DP41-E, DP302-E, DP460-E
0 to 1000 psis	0 to 68.9 bar	PX675-1KSI	DP41-E, DP302-E, DP460-E
0 to 2000 psis	0 to 138 bar	PX675-2KSI	DP41-E, DP302-E, DP460-E
0 to 3000 psis	0 to 207 bar	PX675-3KSI	DP41-E, DP302-E, DP460-E
0 to 5000 psis	0 to 345 bar	PX675-5KSI	DP41-E, DP302-E, DP460-E

Comes complete with operator's manual.

* See omega.com for compatible meters.

Ordering Example: PX675-1KSI, 1000 psi sealed gage full scale rating, 4 to 20 mA output at the full scale level.