

INDUSTRIAL THIN-FILM TRANSDUCER WITH FLUSH DIAPHRAGM ALL STAINLESS STEEL

100 to 5000 psi
7 to 345 bar
1 to 5 Vdc Output

PX673 Series

- ✓ All Stainless Steel Construction
- ✓ NEMA 4X (IP65) Enclosure
- ✓ Excellent for Paper Mills and Printing Presses
- ✓ Thin-Film Reliability
- ✓ 100% Production Calibrated

The PX673 Series transducers use reliable thin-film technology combined with a flush stainless steel diaphragm to deliver a rugged industrial transducer for applications where an orifice type transducer would not be suitable.

SPECIFICATIONS

Excitation: 10 to 36 Vdc unregulated

Output: 1 to 5 Vdc

Linearity: ±0.4% BFS

Zero Balance: ±1% FS

Hysteresis: ±0.2%

Repeatability: ±0.15%

Operating Temperature:

-29 to 82°C (-20 to 180°F)

Compensated Temperature:

-29 to 71°C (-20 to 160°F)

Thermal Effects:

Span: ±0.04% FS/°F

Zero: ±0.04% FS/°F

Proof Pressure:

100 to 2K psi = 200%

3K to 5K psi = 150% full scale

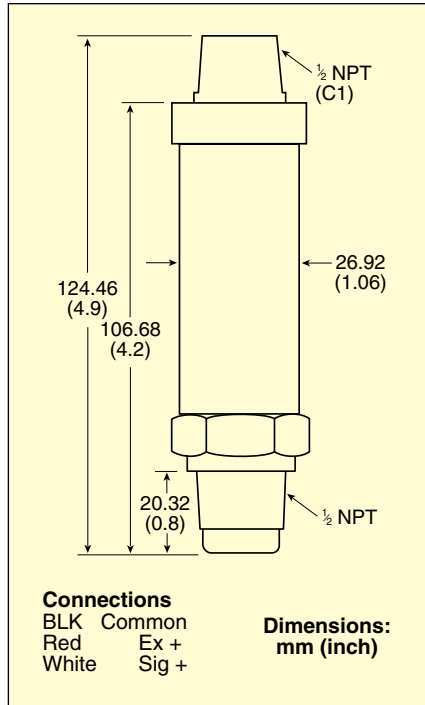
Burst Pressure:

100 to 2K psi = 800% full scale

3K to 5K psi = 300% full scale

Vibration: <±0.1% FS effect for 20 g, 0 to 400 Hz in any axis

Shock: <0.1% effect for 20 g, 20 ms in any axis



PX673-100S5V, shown actual size.



WETTED PARTS

Fitting: 316 SS

Diaphragm: 316Ti stainless steel

Pressure Connection: 1/2 NPT male

Electrical Conn: 1/2 NPT conduit thread

Cable: No. 24 AWG, 36" PVC shielded, vented UL approved

Weight: 284 g (10 oz) maximum

To Order			
RANGE		MODEL NO.	COMPATIBLE METERS*
0 to 100 psis	0 to 6.9 bar	PX673-100S5V	DP41-E, DP302-E, DP460-E
0 to 150 psis	0 to 10.3 bar	PX673-150S5V	DP41-E, DP302-E, DP460-E
0 to 200 psis	0 to 13.8 bar	PX673-200S5V	DP41-E, DP302-E, DP460-E
0 to 300 psis	0 to 20.7 bar	PX673-300S5V	DP41-E, DP302-E, DP460-E
0 to 500 psis	0 to 34.5 bar	PX673-500S5V	DP41-E, DP3002-E, DP460-E
0 to 750 psis	0 to 51.7 bar	PX673-750S5V	DP41-E, DP3002-E, DP460-E
0 to 1000 psis	0 to 68.9 bar	PX673-1KS5V	DP41-E, DP302-E, DP460-E
0 to 2000 psis	0 to 138 bar	PX673-2KS5V	DP41-E, DP302-E, DP460-E
0 to 3000 psis	0 to 207 bar	PX673-3KS5V	DP41-E, DP3002-E, DP460-E
0 to 5000 psis	0 to 345 bar	PX673-5KS5V	DP41-E, DP3002-E, DP460-E

Comes complete with operator's manual.

* Visit us online for compatible meters.

Ordering Example: PX673-3KS5V, 3000 psi sealed gage full scale rating and 1 to 5 Vdc output at full scale level.