

ECONOMICAL BAROMETRIC PRESSURE TRANSDUCER

Barometric Pressure

PX2760 Series



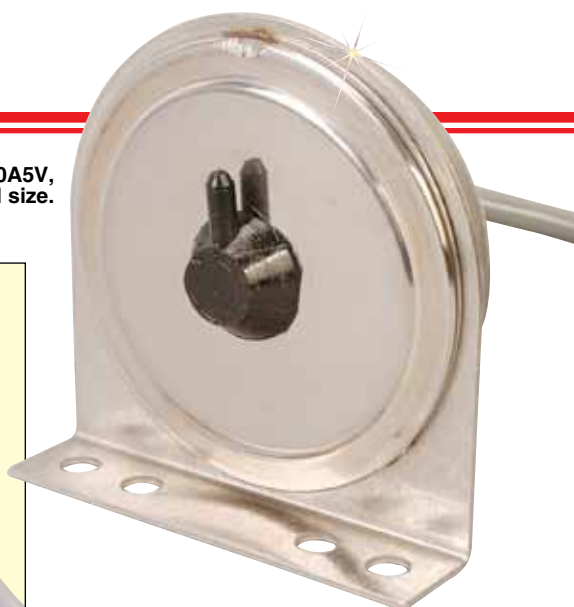
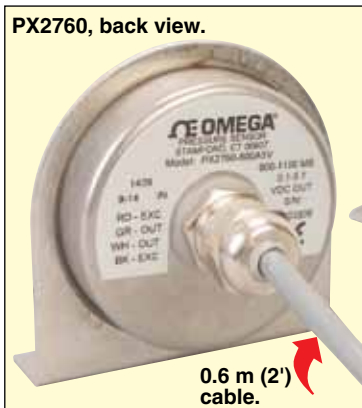
- ✓ Rugged Capacitive Design
- ✓ Excellent Long-Term Stability
- ✓ Fast Response Time
- ✓ Small Size
- ✓ Integral Mounting Bracket
- ✓ Instant Warm-Up

OMEGA's PX2760 Series barometric pressure transducers use a capacitive sensor that has excellent thermal stability and low hysteresis. The signal is processed through a custom ASIC, ensuring long-term reliability and accuracy. The amplified 0.1 to 5.1 Vdc output makes these transducers compatible with most process controllers and computer interface equipment and is virtually immune to EMI and RFI.

SPECIFICATIONS

- Excitation:** 12 Vdc (9 to 14.5 Vdc max)
- Power Consumption:** <0.2 W
- Output Impedance:** <5 Ω
- Output:** 0.1 to 5.1 Vdc, 3-wire
- Accuracy:** ±0.25% span RSS at constant temperature (includes linearity, repeatability and hysteresis)
- Resolution:** Infinite, limited only by noise level (0.005% FS)
- Response Time:** <10 ms to reach 90%
- Long-Term Stability:** ±0.25% FS over 6 months @ 70°F
- Operating Temperature Range:** -20 to 80°C (-4 to 176°F)
- Compensated Temperature Range:** 0 to 55°C (32 to 131°F)
- Storage Temperature:** -55 to 120°C (-67 to 248°F)
- Thermal Zero Effect:** ±0.01%/°F span
- Thermal Span Effect:** ±0.01%/°F span

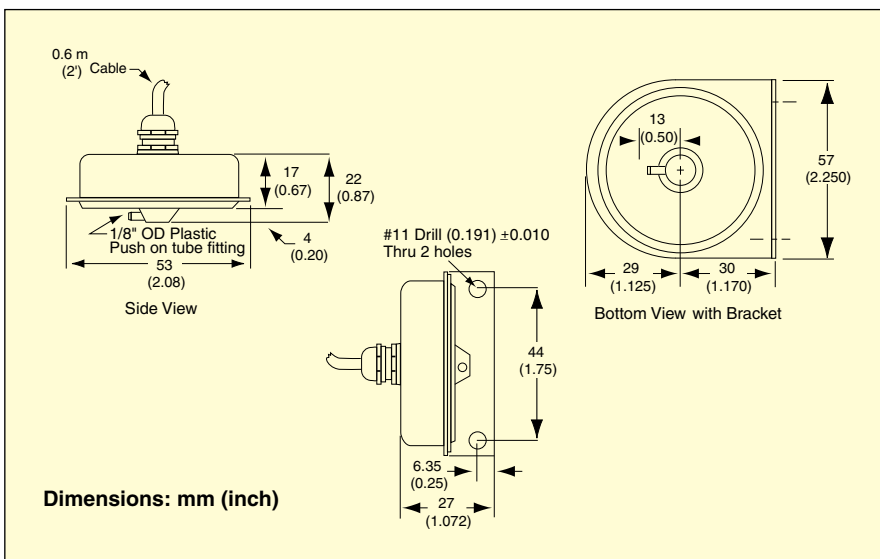
PX2760-600A5V, shown actual size.



Pressure Ratings:

Range	Max Pressure
600 to 1100 mbar (450 to 825 mmHg)	20 psia
800 to 1100 mbar (600 to 825 mmHg)	20 psia
0 to 20 psia (0 to 1034 mmHg)	30 psia

- Sensor:** Capacitive
- Shock:** 50 g operating, ½ sine 10 ms
- Vibration:** 2 g from 5 to 500 Hz
- Acceleration:** 10 g maximum
- Media:** Dry or non-condensing gases compatible with wetted parts
- Wetted Parts:** Stainless steel, alumina, gold and elastomer
- Pressure Port:** ¼" tube fitting
- Electrical Connection:** 0.6 m (2') cable



To Order

RANGE (Absolute Pres)	MODEL NO.	COMPATIBLE METERS
600 to 1100 mbar	PX2760-600A5V	DP41-E, DP25B-E, DP-3002E
800 to 1100 mbar	PX2760-800A5V	DP41-E, DP25B-E, DP-3002E
0 to 20 psia	PX2760-20A5V	DP41-E, DP25B-E, DP-3002E

Comes complete with operator's manual.

Ordering Example: PX2760-600A5V, barometric range pressure transducer, 600 to 1100 mbar absolute, with voltage output.

VOLTAGE OUTPUT PRESSURE TRANSDUCERS B