

Compact Rugged Pressure Transmitters



15 to 5000 psi, 1 to 345 bar

PX119 Series



- ✓ Low Cost
- ✓ Compact Size
- ✓ 0.50% BFSL Accuracy
- ✓ All Stainless Steel Body

The PX119 pressure transmitter series is ideally suited for material handling, industrial and mobile equipment applications where space constraints require a small body size. The body is machined from a single piece of stainless steel to provide added protection for the internal electronics. A piezoresistive ceramic sensor along with ASIC signal conditioning provide an excellent thermally compensated output.

Specifications

Accuracy: 0.50% BFSL Accuracy

Pressure Range: 15 to 5000 psi (345 bar)

Output: 4 to 20 mA, 0 to 5 Vdc

Supply Voltage: 8 to 30 Vdc

Output Connections: Cable, M12, DIN 43650C (mini DIN)

Output Wiring: Pin 1: Supply +, Pin 2: Supply -

Long Term Drift: <0.3% FS @ 25°C (77°F)

Thermal Error:

7.5 psi ≥ 100 psi: 0.01% FS/°F (0.018% FS/°C)

100 psi > 400 psi: 0.009% FS/°F (0.016% FS/°C)

400 psi ≥ 1000 psi: 0.011% FS/°F (0.019% FS/°C)

1000 psi > 3000 psi: 0.012% FS/°F (0.021% FS/°C)

3000 psi ≥ 5000 psi: 0.018% FS/°F (0.028% FS/°C)

Compensated Temperature:

0 to 85°C (32 to 185°F)

Operating Temperatures:

-40 to 135°C (-40 to 257°F)

Process Connection: 1/4 NPT Male, 1/8 NPT Male

Construction: 304 SS

Wetted Materials: 304 SS and Ceramic Al₂O₃, NBR Standard

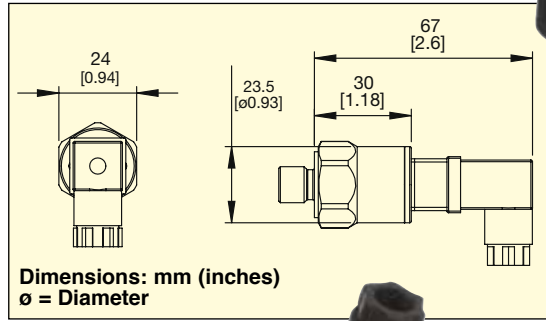
Vibration: 10 g (20 to 2000 Hz) for <58 psi (4 bar); 20 g (20 to 500 Hz) for ranges >58 psi (4 bar)

Protection: Overvoltage, short circuit, reverse polarity

Response Time: 1 ms

Ingress Protection: IP65

Weight: 70 g (0.15 lb)



PX119, both models shown smaller than actual size.



mini DIN style (connector included).

Part Number Value	Description	Example:	PX1	19	A	-	100	G	5V
Electrical Connection									
09	Cable								
19	Mini DIN 43650 C			19					
15	M12								
Process Connection									
(default)	1/4-18 NPT Male								
A	1/8-27 NPT Male								
Pressure Range									
	PSI	Bar							
015	0 to 15	0 to 1							
030	0 to 30	0 to 2.1							
060	0 to 60	0 to 4.2							
100	0 to 100	0 to 6.9	100						
150	0 to 150	0 to 10.3							
200	0 to 200	0 to 13.8							
300	0 to 300	0 to 21							
500	0 to 500	0 to 34.5							
600	0 to 600	0 to 42							
1K	0 to 1000	0 to 69							
1.5K	0 to 1500	0 to 103							
2K	0 to 2000	0 to 138							
3K	0 to 3000	0 to 207							
5K	0 to 5000	0 to 345							
Pressure Type									
A	Absolute								
G	Gauge		G						
Electrical Output									
I	4 to 20 mA								
5V	0 to 5 Vdc		5V						

Accessories

Model No.	Description
CA-319-4PC24-XXX-WP	Vented cable used for PX119 ≤100 psig, terminated in a clean dry area that is open to atmosphere for correct operation*
CA-319-4PC24-XXX	Standard cable for PX119 >100 psig and all absolute ranges, terminated in a dry location or sealed to prevent water from getting into the cable/sensor*
DP8PT	PLATINUM™ Series 1/8" DIN 4-digit single display panel meter

*All PX119 are vented through a hole in the connector and through the mating connector. OMEGA recommends purchase and use of ready-made Cable Assemblies using part # structure "CA-319-4PC24-XXX-WP" (and non-WP version) as shown above, where "XXX" is the length in feet of the desired cable (e.g. "030" stands for 30 ft).