

FLUSH DIAPHRAGM TRANSMITTER

STAINLESS STEEL WETTED PARTS

MOUNTING FITTINGS AVAILABLE

4 to 20 mA Output
0-15 to 0-20,000 psi
0-1 to 0-1300 bar

1 bar = 14.5 psi
 1 kg/cm² = 14.22 psi
 1 atmosphere = 14.7 psi = 29.93 inHg = 760.2 mmHg = 1.014 bar

PX103-i Series



CURRENT OUTPUT
 PRESSURE TRANSDUCERS
B

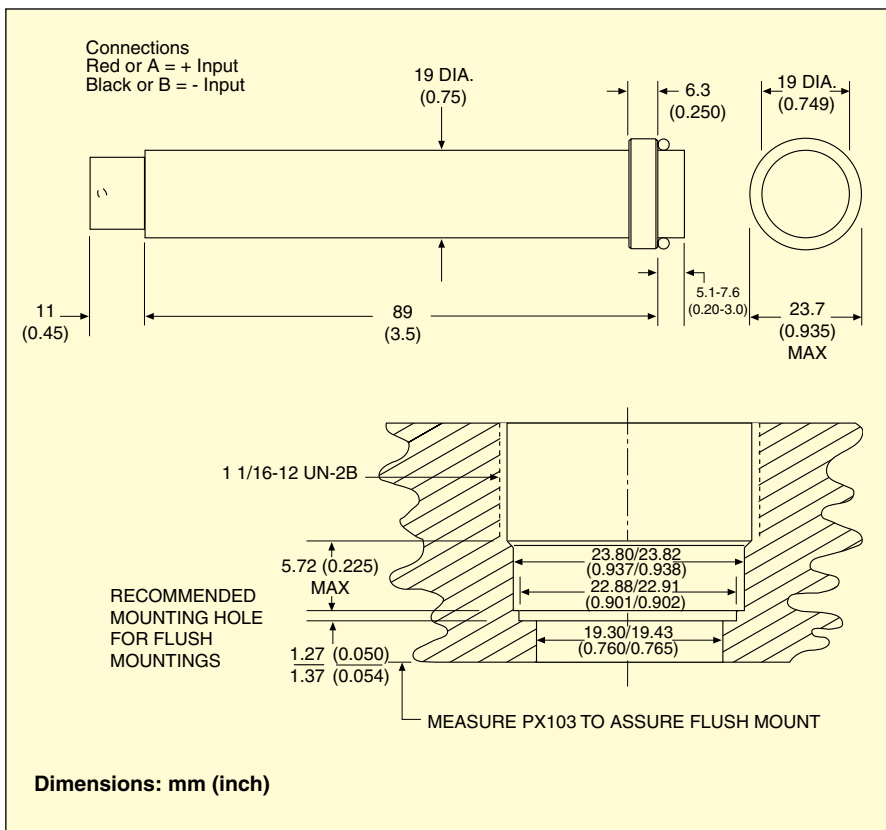
- ✓ All Stainless Steel
- ✓ Low-Noise 4 to 20 mA Output
- ✓ Flush Diaphragm for Hard-to-Measure Fluids
- ✓ Ideal for Tank and Level Applications

OMEGA's PX103 Series transmitters feature a rugged all stainless steel case and a high-reliability, low-noise 4 to 20 mA output. They are designed for use in critical applications in wastewater management, chemical manufacturing, water processing, tank and level operations, and other industrial applications in which a non-plugging flush diaphragm is needed.

SPECIFICATIONS

Excitation: 10 to 40 Vdc
Output: 4 to 20 mA
Zero Balance: 4 mA ±0.2 mA
Accuracy:

<100 psi: ±1% linearity, hysteresis and repeatability combined
 ≥100 psi: ±0.5% linearity, hysteresis and repeatability combined



Dimensions: mm (inch)

Operating Temp Range:
 <100 psi: -40 to 82°C (-40 to 180°F)
 ≥100 psi: -46 to 121°C (-50 to 250°F)

Compensated Temp Range:
 <100 psi: -1 to 54°C (30 to 130°F)
 ≥100 psi: -18 to 66°C (0 to 150°F)

FLUSH DIAPHRAGM TRANSMITTER

Thermal Effects:

<100 psi:

Span: $\pm 2\%$ within compensated range

Zero: $\pm 1\%$ within compensated range

≥ 100 psi:

Span: 0.003% rdg/°F

Zero: 0.0045% FS/°F

Proof Pressure:

<100 psi: 200% of rated pressure

≥ 100 psi: 150% of rated pressure, 30,000 psi maximum

Burst Pressure:

<100 psi: 500% of rated pressure

≥ 100 psi: 300% of rated pressure, 50,000 psi maximum

Wetted Parts:

Ranges <100 psi: 316 SS

Ranges ≥ 100 psi: 17-4 PH SS

O-Ring: Not included #2-018

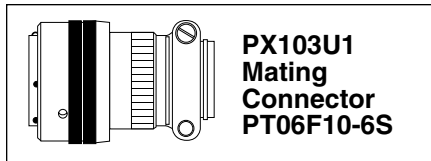
Electrical Connection:

PTIH-10-6P or equal or 3 m (10')

2-conductor shielded PVC cable

Mating Connector:

PT06F10-6S (sold separately)



ACCESSORY

MODEL NO.	DESCRIPTION
PT06F10-6S	Mating connector for PX103U1 Series

To Order			
RANGE		MODEL NO.	COMPATIBLE METERS**
ABSOLUTE PRESSURE (All Ranges Available in Absolute Pressure)			
0 to 15 psi	0 to 1 bar	PX103U[*]-015AI	DP41-E, DP25B-E, DP24-E
0 to 25 psi	0 to 1.7 bar	PX103U[*]-025AI	DP41-E, DP25B-E, DP24-E
0 to 50 psi	0 to 3.4 bar	PX103U[*]-050AI	DP41-E, DP25B-E, DP24-E
GAGE PRESSURE (All Ranges Also Available in Sealed Gage Pressure)			
0 to 15 psi	0 to 1 bar	PX103U[*]-015GI	DP41-E, DP25B-E, DP24-E
0 to 25 psi	0 to 1.7 bar	PX103U[*]-025GI	DP41-E, DP25B-E, DP24-E
0 to 50 psi	0 to 3.4 bar	PX103U[*]-050GI	DP41-E, DP25B-E, DP24-E
0 to 100 psi	0 to 6.9 bar	PX103U[*]-100GI	DP41-E, DP25B-E, DP24-E
0 to 200 psi	0 to 13.8 bar	PX103U[*]-200GI	DP41-E, DP25B-E, DP24-E
0 to 500 psi	0 to 34.5 bar	PX103U[*]-500GI	DP41-E, DP25B-E, DP24-E
0 to 1000 psi	0 to 68.9 bar	PX103U[*]-1KGI	DP41-E, DP25B-E, DP24-E
0 to 2000 psi	0 to 138 bar	PX103U[*]-2KGI	DP41-E, DP25B-E, DP24-E
0 to 3000 psi	0 to 207 bar	PX103U[*]-3KGI	DP41-E, DP25B-E, DP24-E
0 to 5000 psi	0 to 345 bar	PX103U[*]-5KGI	DP41-E, DP25B-E, DP24-E
0 to 10,000 psi	0 to 689 bar	PX103U[*]-10KGI	DP41-E, DP25B-E, DP24-E
0 to 15,000 psi	0 to 1034 bar	PX103U[*]-15KGI	DP41-E, DP25B-E*, DP24-E
0 to 20,000 psi	0 to 1379 bar	PX103U[*]-20KGI	DP41-E, DP25B-E*, DP24-E

Comes complete with 5-point NIST traceable calibration.

Metric ranges available – consult Engineering.

* 4-digit meter, counts in increments of 10.

** Visit us online for compatible meters.

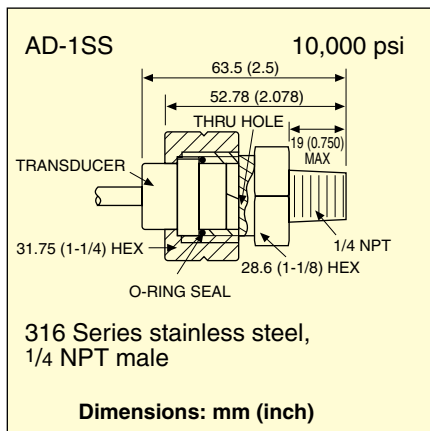
[*] To order cable style insert “0” into model number; to order connector style insert “1”.

To order absolute pressure ranges, replace “G” in model number with “A” and add **additional cost**.

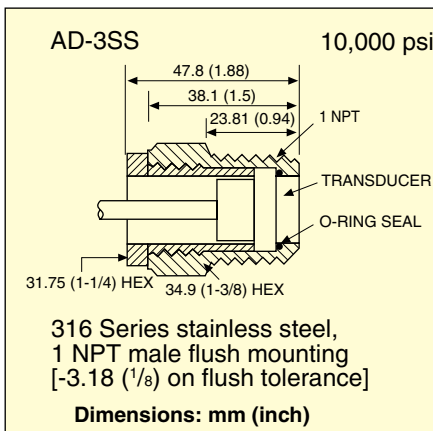
To order sealed gage pressure models, replace “G” in model number with “S” (no extra charge). To order extra lead length [3 m (10') standard], add suffix “-(Length of cable in feet)” and **additional cost** for each foot beyond 10'.

Ordering Example: PX103U1-100GI, 100 psi gage pressure, connector style transducer PT06F10-6S, mating connector (sold separately).

Flush Mount Adaptors for PX103 Series Transducers



O-Ring Provided with Each Adaptor



“O” RINGS FKM or Polyurethane

Use for pressures under
10,000 psi:
#2-018-V

FKM. Pack of 10

Use for pressures of
10,000 psi and higher:
#2-018-P

POLYURETHANE Pack of 15