

# MINIATURE VOLTAGE OUTPUT PRESSURE SENSORS FULLY TEMPERATURE COMPENSATED

0.5 to 4 Vdc Output

## PX40 Series All Ranges

- ✓ Smallest Amplified Package
- ✓ Small Lightweight Package
- ✓ Fully Signal Conditioned
- ✓ Temperature Compensated
- ✓ Port Designed for O-Ring Interface
- ✓ Excellent Media Compatibility
- ✓ Wet or Dry Industrial Applications

## Typical Applications

- ✓ Laboratory Equipment
- ✓ Electronic Brake Systems
- ✓ Engine Oil Level
- ✓ Transmission Fluid Level
- ✓ Air Conditioning Systems
- ✓ Industrial Fluid Level

## SPECIFICATIONS

**Excitation:** 5 Vdc @10 mA

**Output Source Current:** 0.5 mA maximum

**Output Sink Current:** 1.0 mA maximum

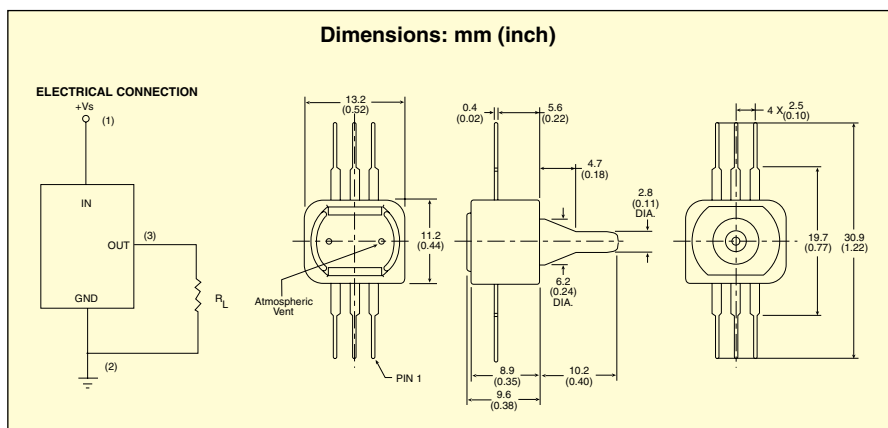
**Hysteresis and Repeatability:** 0.15% full scale

Span:	Output:	Linearity:
±50 mmHg	4.00 Vdc typical	0.80%
0 to 15 psi	4.00 ±0.11 Vdc	0.20%
0 to 30 psi	4.00 ±0.08 Vdc	0.30%
0 to 100 psi	4.00 ±0.09 Vdc	0.10%
0 to 150 psi	4.00 ±0.07 Vdc	0.10%

### Null:

±50 mmHg	2.50 ±0.05 Vdc
0 to 15 psi	0.50 ±0.11 Vdc
0 to 30 psi	0.50 ±0.04 Vdc
0 to 100 psi	0.50 ±0.04 Vdc
0 to 150 psi	0.50 ±0.04 Vdc

PX40-15G5V, shown much larger than actual size.



### Operating Temp:

-45 to 125°C (-49 to 257°F)

### Compensated Temp:

-45 to 125°C (-49 to 257°F)

### Overpressure:

±50 mmHg	±170 mmHg
0 to 15 psi	45 psi
0 to 30 psi	60 psi
0 to 100 psi	200 psi
0 to 150 psi	300 psi

**Response Time:** 1 ms

**Gage Type:** Silicon

**Media Compatibility:** Limited to media that will not attack invar, copper, silicon, stainless steel, glass and solder (i.e., air, water, refrigerants, engine fuel)

**Vent:** Dry gases only

**Weight:** 5 g (0.18 oz)

## To Order

### GAGE MODELS (One Port)

RANGE	MODEL NO.	COMPATIBLE METERS*	
±50 mmHg	6.7 kPa	PX40-50BHG5V	DP24-E, DP25B-E, DP41-E
0 to 15 psi	0 to 1 bar	PX40-15G5V	DP24-E, DP25B-E, DP41-E
0 to 30 psi	0 to 2.1 bar	PX40-030G5V	DP24-E, DP25B-E, DP41-E
0 to 100 psi	0 to 6.9 bar	PX40-100G5V	DP24-E, DP25B-E, DP41-E
0 to 150 psi	0 to 10.3 bar	PX40-150G5V	DP24-E, DP25B-E, DP41-E

\* Visit us online for compatible meters.

**Ordering Example:** PX40-15G5V, 0 to 15 psi transducer with 0.5 to 4.5 Vdc output.



VOLTAGE OUTPUT  
PRESSURE TRANSDUCERS

B