

OMEGA® TEST GAUGES—TYPE T

HIGH ACCURACY AND MONEL® WETTED PARTS

4½, 6, 8½" DIALS

PRESSURE
GAUGES
G

Monel Wetted
Parts on
All Ranges

PGT Series



Optional

- ✓ High Accuracy: 0.25%
- ✓ Stem and Panel Mount
- ✓ Mirrored Scale
- ✓ Monel® Wetted Parts
- ✓ 4½, 6, or 8½" Dials

The OMEGA® test gauge line consists of highly accurate gauges designed for use in instrument shops, plants of all types, and laboratories throughout industry. Most models provide sustained accuracy to 0.25% full scale. Performance, reliability, and precision measurement are coupled with consistency in meeting the demanding service needs of numerous test gauge applications.

OMEGA® test gauges are used as master reference gauges, in test stand measurements, for production inspection, and for verifying the accuracy of general service gauges. The gauge dial has a stainless steel mirror ring for pointer reflection, which prevents parallax error. This mirror surface reflects the pointer in any position and allows the gauge to be read with great accuracy. The lightweight, friction-adjustable balanced pointer with knife-edge tip ensures reading to the smallest subdivision. The accented dial graduations have a true width equivalent to 0.25% tolerance for quick and accurate gauge checking.



PGT-85L-100, shown smaller than actual size. See next page for dimensions.



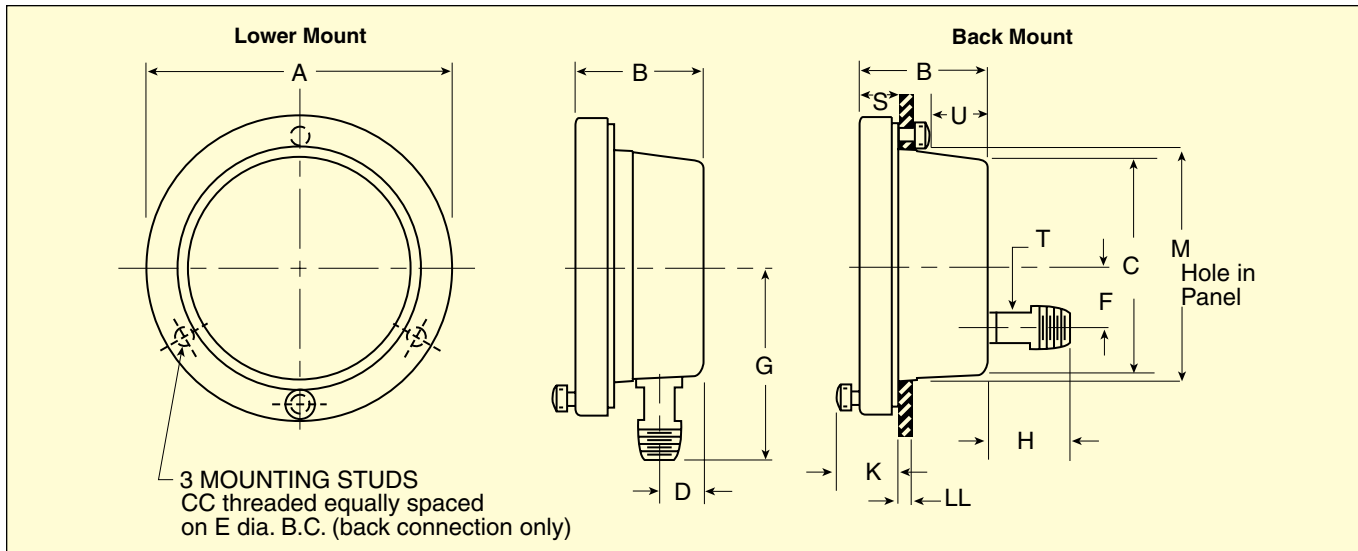
PGT-60B-100, back mount, shown smaller than actual size. See next page for dimensions.



PGT-45L-100, stem or flush mount, shown smaller than actual size. See next page for dimensions.

Warning: To prevent misapplication, all gauge components should be chosen with an eye to the media and ambient operating conditions to which they will be exposed. Improper application can be detrimental to the gauge, causing failure and possible personal injury and property damage.

TEST GAUGES—HIGH ACCURACY WITH MONEL® WETTED PARTS



Dimensions: mm (inch)

DIAL SIZE	A	B	C	D	E	F	G	H	K	M	S&T	U	CC	LL
4½"	155 (6 ³ / ₃₂)	73 (2 ⁷ / ₈)	121 (4 ³ / ₄)	30 (1 ³ / ₁₆)	137 (5 ³ / ₈)	41 (1 ⁵ / ₈)	100 (3 ¹⁵ / ₁₆)	35 (1 ³ / ₈)	34 (1 ¹¹ / ₃₂)	124 (4 ⁷ / ₈)	16 (⁵ / ₈)	19 (³ / ₄)	10-24	3 to 13 (¹ / ₈ to ¹ / ₂)
6"	192 (7 ⁵ / ₁₆)	73 (2 ⁷ / ₈)	121 (4 ³ / ₄)	30 (1 ³ / ₁₆)	178 (7)	41 (1 ⁵ / ₈)	114 (4 ¹ / ₂)	35 (1 ³ / ₈)	34 (1 ¹¹ / ₃₂)	165 (6 ¹ / ₂)	16 (⁵ / ₈)	19 (³ / ₄)	¼-20	3 to 13 (¹ / ₈ to ¹ / ₂)
8½"	257 (10 ¹ / ₁₆)	73 (2 ⁷ / ₈)	121 (4 ³ / ₄)	30 (1 ³ / ₁₆)	244 (9 ⁵ / ₈)	41 (1 ⁵ / ₈)	152 (6)	35 (1 ³ / ₈)	34 (1 ¹¹ / ₃₂)	229 (9)	16 (⁵ / ₈)	19 (³ / ₄)	¼-20	3 to 13 (¹ / ₈ to ¹ / ₂)

SPECIFICATIONS

Case: Solid aluminum with epoxy-coated black finish

Window: Glass

Movement: Stainless steel

Bourdon Tube: Monel

Connection: Monel

Fitting: ½ NPT

Dial: Externally adjustable, aluminum, white background, black graduations and polished mirror band

Mounting:

Stem: Lower connection

Panel or Stem: Back connection

Accuracy: 0.25% full scale

Ring:

Lower Connection Model:

Threaded aluminum

Back Connection Model: Mounting flange, hinged cover ring secured by knurled screw

Safety Features: Solid front with pressure relief back

Media Temperature: 66°C (150°F)

[models will withstand continuous temperature up to 177°C (350°F), but there will be discoloration of case and dial face]

Temperature Compensation:

0.005% FS/°F



PGT-45L-100, stem or flush mount, shown smaller than actual size. See dimensions above.

Ordering Example:

1. Pressure Gauge:

Test Type

2. Dial Size: 4½"

3. Connection: Lower (L) or Back (B)

4. Range Code: See page G-62

PGT-45 □ - Range Code

HOW TO ORDER TYPE T TEST GAUGES

DIAL DIA.	MODEL NO.	CONNECTION
4½	PGT-45L-[*]	Lower
	PGT-45B-[*]	Back
6	PGT-60L-[*]	Lower
	PGT-60B-[*]	Back
8½	PGT-85L-[*]	Lower
	PGT-85B-[*]	Back

[*] Insert range code from table below. To order cleaned for oxygen service, add suffix "-X6B" to model number for additional cost **Note:** Precision test gauges cannot be oil filled.
Ordering Example: PGT-45B-300, test gauge with 4½" dial, back connection, 0 to 300 psi range.

Standard psi Ranges Type T

RANGE CODE	RANGE	FIGURE & TAB INTERVAL	4½" DIAL		6" DIAL		8½" DIAL	
			MINOR GRAD	MINOR GRAD	MINOR GRAD	MINOR GRAD		
15	0/15	1	0.05	0.05	0.05	0.05	0.02	0.02
30	0/30	2.5	0.1	0.1	0.1	0.1	0.05	0.05
60	0/60	5	0.2	0.1	0.1	0.1	0.1	0.1
100	0/100	5	0.5	0.2	0.2	0.2	0.2	0.2
150	0/150	10	0.5	0.5	0.5	0.5	0.2	0.2
200	0/200	10	0.5	0.5	0.5	0.5	0.5	0.5
300	0/300	25	1	1	1	1	0.5	0.5
400	0/400	25	1	1	1	1	1	1
600	0/600	50	2	2	2	2	1	1
800	0/800	50	2	2	2	2	2	2
1000	0/1000	50	5	2	2	2	2	2
1500	0/1500	100	5	5	5	5	2	2
2000	0/2000	100	10	5	5	5	5	5
3000	0/3000	250	10	10	10	10	5	5
5000	0/5000	500	20	10	10	10	10	10
10,000	0/10,000	500	50	20	20	20	20	20

VACUUM

30V	30/0" Hg	2.5	0.1	0.1	0.05
-----	----------	-----	-----	-----	------

COMPOUND

RANGE CODE	RANGE		FIGURE		4½" DIAL		6" DIAL		8½" DIAL	
	INCHES MERCURY	psi	inHg	psi	MINOR GRAD inHg	MINOR GRAD psi	MINOR GRAD inHg	MINOR GRAD psi	MINOR GRAD inHg	MINOR GRAD psi
30V/15	30 inHg Vac	0/15 psi	5	3	0.2	0.1	0.2	0.1	0.1	0.05
30V/30	30 inHg Vac	0/30 psi	5	5	0.5	0.2	0.2	0.1	0.2	0.1
30V/60	30 inHg Vac	0/60 psi	5	5	0.5	0.2	0.5	0.2	0.5	0.2
30V/100	30 inHg Vac	0/100 psi	10	5	1	0.5	0.5	0.5	0.5	0.2
30V/150	30 inHg Vac	0/150 psi	10	10	1	0.5	1	0.5	0.5	0.5
30V/200	30 inHg Vac	0/200 psi	30	20	2	1	1	0.5	1	0.5
30V/300	30 inHg Vac	0/300 psi	30	20	2	1	2	1	1	0.5
30V/400	30 inHg Vac	0/400 psi	30	20	5	2	2	1	2	1

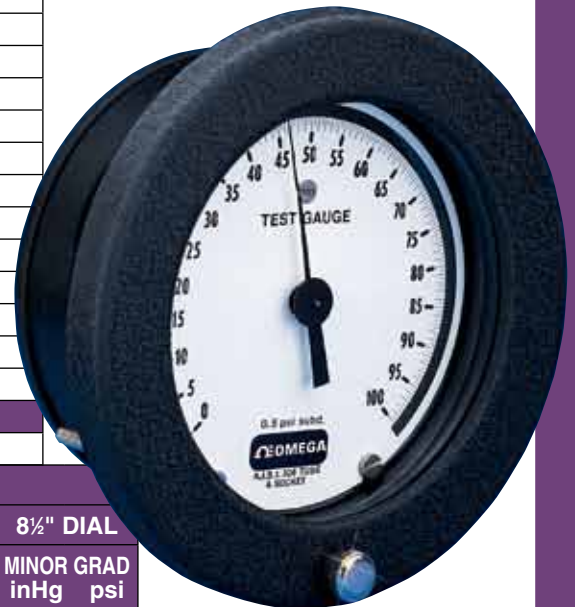
See the following page for custom and metric ranges.

ACCESSORIES

MODEL NO.	DESCRIPTION
EI-CAL-3-PRESSURE	NIST-traceable calibration
PGT-CC	Universal carrying case for all size test gauges



PGT-45L-100, stem or flush mount, shown smaller than actual size. See dimensions on page G-61.

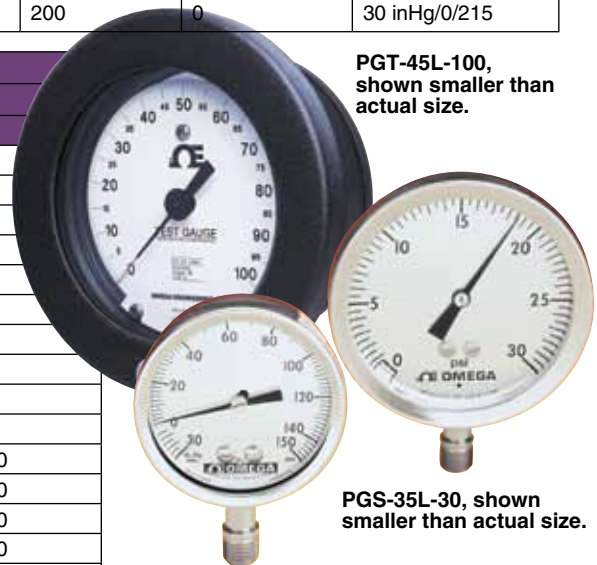


PGT-45B-100, back mount, shown smaller than actual size. See dimensions on page G-61.

SPECIAL METRIC RANGES FOR TYPE S AND TYPE T GAUGES AVAILABLE ONLINE

TYPE S RANGE		DIAL GRADUATIONS		RANGE	DIAL GRADUATIONS		OUTER SCALE WHEN DUAL RANGE SPECIFIED (psi)
kg/cm ²	bar	FIGURE INTERVAL	MINOR GRADUATION	kPa	FIGURE INTERVAL	MINOR GRADUATION	
PRESSURE							
0/1	0/1	0.1	0.01	0/100	10	1	0/14
0/1.6	0/1.6	0.2	0.02	0/160	20	2	0/22
0/2.5	0/2.5	0.5	0.05	0/250	50	5	0/35
0/4	0/4	0.5	0.05	0/400	50	5	0/55
0/6	0/6	0.5	0.1	0/600	50	10	0/85
0/10	0/10	1	0.1	0/1000	100	10	0/140
0/16	0/16	2	0.2	0/1600	200	20	0/220
0/25	0/25	5	0.5	0/2500	500	50	0/350
0/40	0/40	5	0.5	0/4000	500	50	0/550
0/60	0/60	5	1	0/6000	500	100	0/850
0/100	0/100	10	1	0/10,000	1000	100	0/1400
0/160	0/160	20	2	0/16,000	2000	200	0/2200
0/250	0/250	50	5	0/25,000	5000	200	0/3500
0/400	0/400	50	5	0/40,000	5000	500	0/5500
0/600	0/600	50	10	0/60,000	5000	500	0/8500
0/1000	0/1000	100	10	0/100,000	10,000	1000	0/14,000
VACUUM							
-1/0	-1/0	0.1	0.01	- 100/0 kPa	10	1	30/0 inHg
COMPOUND							
-1/0/1.5	-1/0/1.5	0.5	0.05	- 100/0/150 kPa	50	5	30 inHg/0/20
-1/0/3	-1/0/3	0.5	0.05	- 100/0/300 kPa	50	5	30 inHg/0/40
-1/0/5	-1/0/5	0.5	0.1	- 100/0/500 kPa	50	10	30 inHg/0/70
-1/0/9	-1/0/9	1	0.1	- 100/0/900 kPa	100	10	30 inHg/0/125
				- 100/0/1500 kPa	200	0	30 inHg/0/215

TYPE T RANGE		
kg/cm ²	bar	kPa
PRESSURE		
0/1		0/100
0/1.6		0/160
0/2.5		0/250
0/4		0/400
0/6		0/600
0/10		0/1000
0/16		0/1600
0/25		0/2500
0/40		0/4000
0/60		0/6000
0/100		0/10,000
0/160		0/16,000
0/250		0/25,000
0/400		0/40,000
0/600		0/60,000
VACUUM		
-1/0	-1/0	-100/0
COMPOUND		
-1/0/1.5	-1/0/1.5	-100/0/150
-1/0/3	-1/0/3	-100/0/300
-1/0/5	-1/0/5	-100/0/500
-1/0/9	-1/0/9	-100/0/900



PGT-45L-100, shown smaller than actual size.

PGS-35L-30, shown smaller than actual size.

PGS-25L-150, shown smaller than actual size.

Ordering Special Ranges:
Type S and Type T custom dials are available to fulfill the varying needs of our customers. There is an **additional setup fee and a 5-piece minimum order per customized dial.**