

STAINLESS STEEL INDUSTRIAL PRESSURE GAUGES LIQUID-FILLABLE

PGM Series

- ✓ Dual Scales in psi and bar
- ✓ 63 mm (2½") and 100 mm (4") Diameters
- ✓ Back- or Lower-Mount Fittings
- ✓ All Stainless Steel Construction
- ✓ Liquid Fillable in the Field
- ✓ NEMA 4 (IP65) Protection
- ✓ Heavy-Duty
- ✓ High Performance



PGM-63B-1000PSI/70BAR,
with Back (Rear)-mount
fitting, shown actual size.



PGM-100L-100PSI/7BAR, with
lower (Bottom)-mount fitting,
shown actual size.

LIQUID-FILLABLE INDUSTRIAL PRESSURE GAUGES

OMEGA's PGM Series gauges are suitable for corrosive processing environments in chemical, petrochemical refining, power, marine, food and pharmaceutical applications. The PGM Series comes in a 63 mm (2.5") or 100 mm (4") case, features all stainless steel construction, and is environmentally protected to NEMA 4 (IP65) standards.

The PGM Series can also be liquid-filled in the field. Liquid-filled pressure gauges provide users with a number of advantages in certain applications. They are ideal for equipment with excessive vibration and pulsation, such as pumps, compressors, and machine tools. The liquid fill minimizes the effects of these severe environments, protects the gauge internals, and provides continuous lubrication in the mechanism, adding up to extended service life. Liquid filling also provides greater protection of the gauge internals from corrosive atmospheres. Gauges can be filled with a variety of fluids, including glycerin, mineral oil, and silicone oil.



PGM-100L-100PSI/7BAR, shown smaller than actual size.

PGM-63B-1000PSI/70BAR, shown smaller than actual size.

SPECIFICATIONS

Accuracy: 63 mm $\pm 1.6\%$ of span, 100 mm $\pm 1\%$ of span (per DIN 16 005)

Working Pressure: 75% of full scale

Overrange Protection: 130% of full scale

Ambient Temp Range: -40 to 60°C (-40 to 140°F)

Process Temp Range: -20 to 80°C (-4 to 176°F)

Degree of Protection: NEMA 4 (IP65)

Element: 316 SS

Window:

63 mm (2.5"): Polycarbonate

100 mm (4"): Laminated safety glass

Dial: White aluminum with black lettering

Pointer: Aluminum alloy, black painted

Case and Bezel Ring: 304 SS

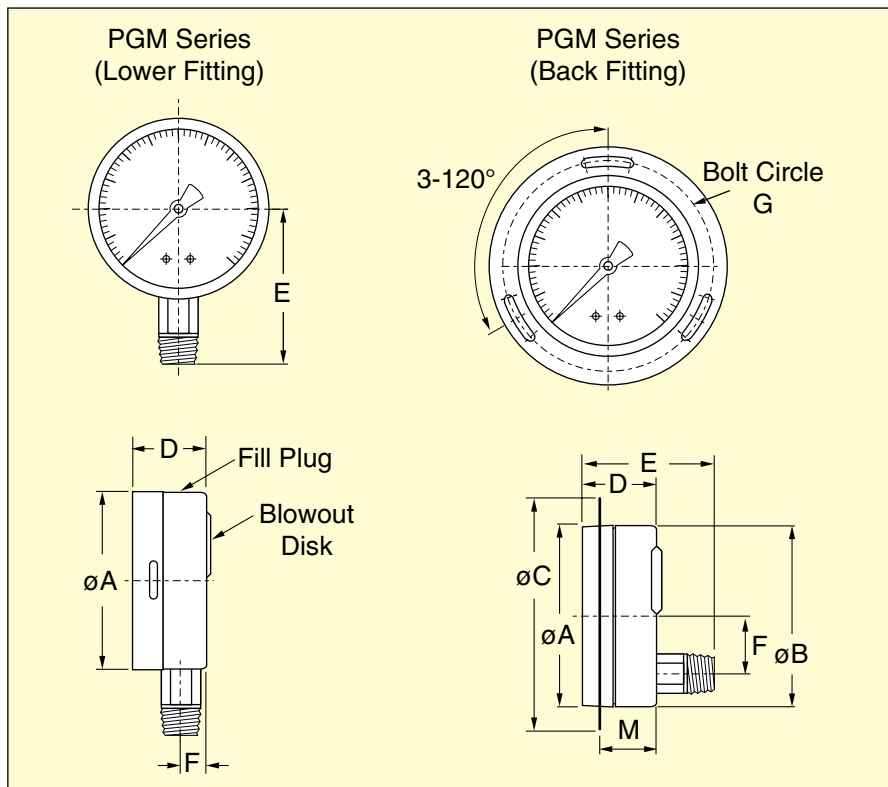
Movement: 304 SS

Pressure Connection: 316 SS, 1/4 MNPT on 63 mm (2.5"), 1/2 MNPT on 100 mm (4")

Blowout Protection:

63 mm (2.5"): Top-mounted rubber disc

100 mm (4"): Back-mounted rubber disc



HOW TO ORDER PGM SERIES GAUGES

STANDARD RANGES		
RANGE CODE	INNER SCALE (psi)	OUTER SCALE (bar)
30V/-1BAR	30 inHg vac to 0	-1 to 0
30V15/-1/1BAR	30 inHg vac to 15	-1 to 1
30V30/-1/2BAR	30 inHg vac to 30	-1 to 2
30V60/-1/4BAR	30 inHg vac to 60	-1 to 4
30V100/-1/7BAR	30 inHg vac to 100	-1 to 7
30V150/-1/10BAR	30 inHg vac to 150	-1 to 10
15PSI/1BAR	0 to 15	0 to 1
30PSI/2BAR	0 to 30	0 to 2
60PSI/4BAR	0 to 60	0 to 4
100PSI/7BAR	0 to 100	0 to 7
160PSI/11BAR	0 to 160	0 to 11
200PSI/14BAR	0 to 200	0 to 14
300PSI/20BAR	0 to 300	0 to 20
400PSI/28BAR	0 to 400	0 to 28
600PSI/40BAR	0 to 600	0 to 40
800PSI/55BAR	0 to 800	0 to 55
1000PSI/70BAR	0 to 1000	0 to 70
1500PSI/100BAR	0 to 1500	0 to 100
2000PSI/140BAR	0 to 2000	0 to 140
2300PSI/160BAR	0 to 2300	0 to 160
3000PSI/200BAR	0 to 3000	0 to 200
3500PSI/250BAR	0 to 3500	0 to 250
5000PSI/350BAR	0 to 5000	0 to 350
6000PSI/400BAR	0 to 6000	0 to 400
10000PSI/700BAR	0 to 10000	0 to 700
11600PSI/800BAR	0 to 11600	0 to 800



PGM-100L-100PSI/7BAR, with lower mount fitting, shown smaller than actual size.



PGM-63B-1000PSI/70BAR, with flange mount and back fitting, shown smaller than actual size.

Dimensions: mm (inch)

DIAL SIZE	FITTING	A	B	C	D	E	F	G	M
63 mm (2½")	Lower mount	63.7 (2.51)	—	—	33.0 (1.30)	55.7 (2.19)	11.0 (0.44)	—	—
63 mm (2½")	Flange mount	63.7 (2.51)	66.2 (2.61)	86.0 (3.39)	33.0 (1.30)	57.0 (2.24)	13.0 (0.51)	75.0 (2.95)	28.0 (1.10)
100 mm (4")	Lower mount	101.3 (3.99)	—	—	50.0 (1.97)	83.0 (3.27)	29.0 (0.63)	—	—
100 mm (4")	Flange mount	101.3 (3.99)	103.1 (4.06)	131.0 (5.16)	50.0 (1.97)	83.0 (3.27)	29.0 (1.14)	116.0 (4.57)	45.0 (1.77)

To Order Visit omega.com/pgm_series for Pricing and Details

MODEL NO	DIAL SIZE mm (inch)	CONNECTION
PGM-63L-[*]	63 (2½)	¼ NPT lower
PGM-63B-[*]	63 (2½)	¼ NPT back
PGM-100L-[*]	100 (4)	½ NPT lower
PGM-100B-[*]	100 (4)	½ NPT back

[*] Insert range code from Standard Ranges table.

Ordering Examples: **PGM-63B-15PSI/1BAR**, 63 mm (2.5") gauge with a back fitting and scaled 0 to 15 psi and 0 to 1 bar.

PGM-100L-15PSI/1BAR, 100 mm (4") gauge with a lower fitting and scaled 0 to 15 psi and 0 to 1 bar.