

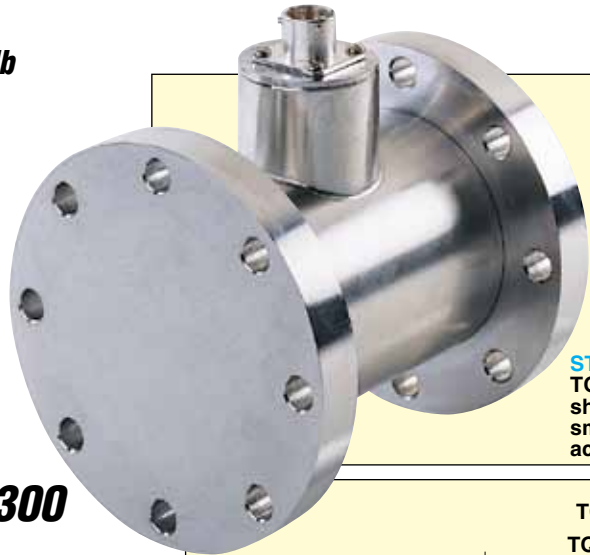
# REACTION TORQUE CELLS

## FLANGE-TO-FLANGE MOUNT

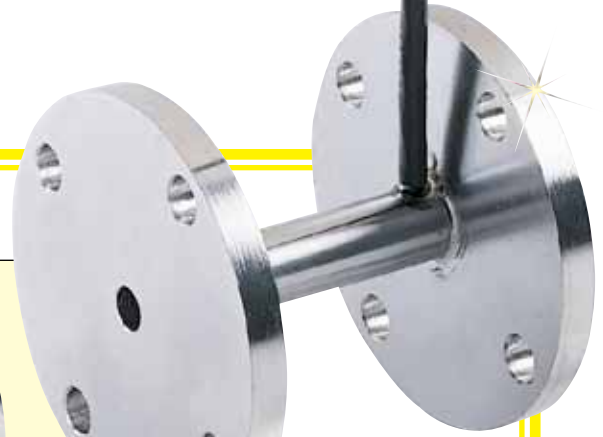
### STANDARD AND METRIC MODELS

**Reaction Torque**  
**400 in-lb to 2000 in-lb**  
**45 N-m to 225 N-m**

1 N-m = 0.7375 ft-lb  
 1 ft-lb = 1.356 N-m  
 1 N-m = 8.85 in-lb  
 1 ft-lb = 12 in-lb



**STANDARD**  
**TQ302-2K**  
 shown much smaller than actual size.



**METRIC**  
**TQM301-45N** shown actual size.

## TQ300/TQM300 Series



- ✓ All Stainless Steel Case for Long-Term Reliability in Industrial Environments
- ✓ High Accuracy
- ✓ Heavy-Duty Mounting for Positive, Non-Slip Connection

### SPECIFICATIONS

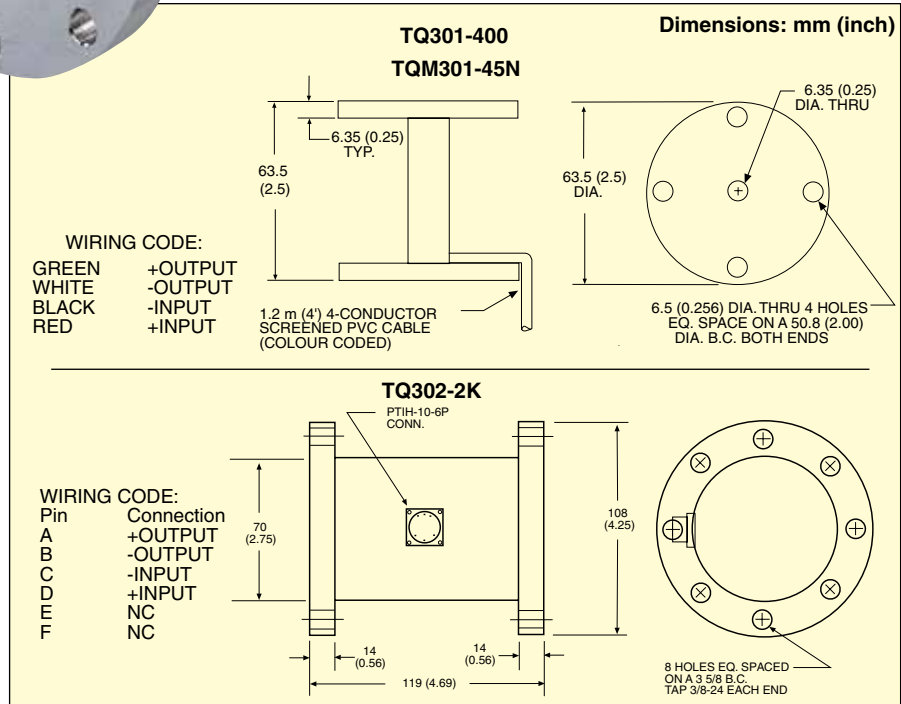
**Output:** 2 mV/V  
**Excitation:** 10 Vdc, 15V maximum  
**Input Resistance:** 360 Ω minimum  
**Output Resistance:** 350 ± 5 Ω  
**Accuracy Class:** ±0.2% FSO  
**Linearity, Hysteresis and Repeatability:** ±0.2% FSO combined  
**Zero Balance:** ±2% FSO  
**Compensated Temp Range:** 16 to 71°C (60 to 160°F)  
**Operating Temp Range:** -54 to 107°C (-65 to 225°F)  
**Thermal Effects:**  
 Zero: ±0.005% FSO/°F  
 Span: ±0.005% rdg/°F

**Safe Overload:** 150% of capacity  
**Ultimate Overload:** 300% of capacity

**Construction:** Stainless steel

#### Electrical:

**TQ301:** 1.2 m (4') 4-conductor, shielded, color-coded PVC cable  
**TQ302:** PTIH-10-6P connection; PT06F10-6S mating connector sold separately



### To Order

| RANGE                  | MODEL NO.         | COMPATIBLE METERS* |
|------------------------|-------------------|--------------------|
| <b>STANDARD MODELS</b> |                   |                    |
| 0 to 400 in-lb         | <b>TQ301-400</b>  | DP41-S, DP25B-S    |
| 0 to 2000 in-lb        | <b>TQ302-2K</b>   | DP41-S, DP25B-S    |
| <b>METRIC MODEL</b>    |                   |                    |
| 0 to 45 N-m            | <b>TQM301-45N</b> | DP41-S, DP25B-S    |

### ACCESSORY

| MODEL NO.         | DESCRIPTION                               |
|-------------------|---|
| <b>PT06F10-6S</b> | Mating connector for TQ302-2K torque cell |

Comes complete with 5-point calibration.

\* Visit us online for compatible meters.

**Ordering Example:** TQ301-400, 400 in-lb range reaction torque sensor.