

# HYDROSTATICALLY COMPENSATED LOAD CELLS FOR UNDERWATER APPLICATIONS

## Compression

0-100 lb to 0-2500 lb

0-45 kg to 0-1134 kg

1 Newton = 0.2248 lb

1 daNewton = 10 Newtons

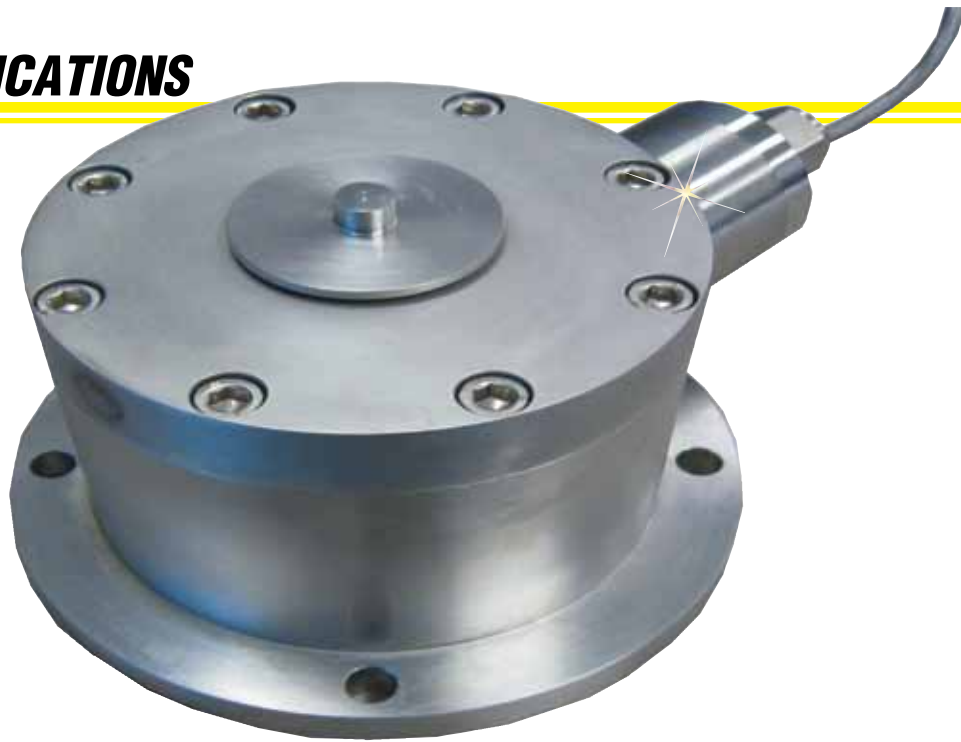
1 lb = 454 g

1 t = 1000 kg = 2204 lb

## LCUC Series



Standard



LCUC-100, shown smaller than actual size.

- ✓ All Stainless Steel Construction
- ✓ Accuracy of 0.25%
- ✓ Heavy-Duty Construction for High-Capacity Loads
- ✓ High-Output 3 mV/V Signal

### Thermal Effects:

Zero:  $\pm 0.005\%$  FSO/ $^{\circ}$ F

Span:  $\pm 0.005\%$  rdg/ $^{\circ}$ F

Safe Overload: 300% of capacity

Protection Class: IP68

Ultimate Overload: 300% of capacity

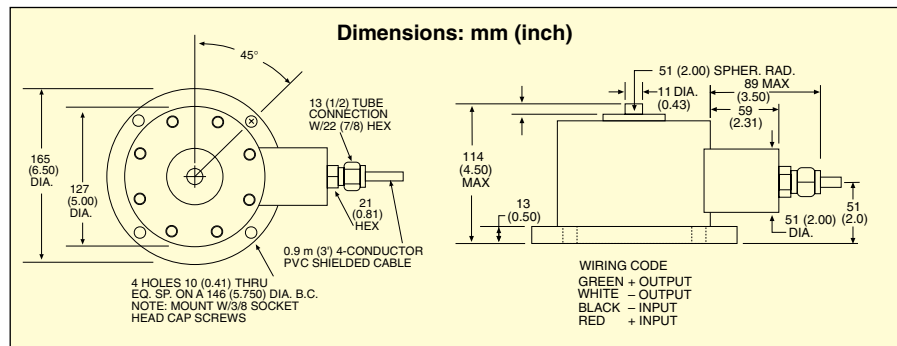
Input Resistance: 360  $\Omega$  minimum

Output Resistance: 350  $\pm 5 \Omega$

Construction: 17-4 PH stainless steel

Electrical: 0.9 m (3') 4-conductor, shielded PVC cable

The LCUC Series hydrostatically compensated compression load cells are designed for operation underwater. Applications include dry docks, marine weighing, submerged platforms, and industrial weighing where pit flooding occurs. The all stainless steel construction and rugged design give the LCUC high accuracy and high reliability in the difficult submerged environment.



## SPECIFICATIONS

Output: 3 mV/V  $\pm 0.25\%$  FSO

Excitation: 10 Vdc (15V maximum)

Accuracy:  $\pm 0.25\%$  FSO combined linearity, hysteresis and repeatability

Hydrostatic Effect on Zero:  $\pm 0.5\%$  FSO per 500 psi

Zero Balance:  $\pm 1.0\%$  FSO

Operating Temp Range: 2 to 107 $^{\circ}$ C (35 to 225 $^{\circ}$ F)

Compensated Temp Range: 16 to 71 $^{\circ}$ C (60 to 160 $^{\circ}$ F)

## To Order

CAPACITY		MODEL NO.	COMPATIBLE METERS
lb	kg		
100	45	LCUC-100	DP41-B, DP41-S, DP25B-S
250	114	LCUC-250	DP41-B, DP41-S, DP25B-S
500	227	LCUC-500	DP41-B, DP41-S, DP25B-S
1000	455	LCUC-1K	DP41-B, DP41-S, DP25B-S
2500	1134	LCUC-2.5K	DP41-B, DP41-S, DP25B-S

Comes complete with 5-point NIST-traceable calibration and 59 k $\Omega$  shunt data.

Ordering Examples: LCUC-100, 100 lb capacity hydrostatically compensated compression load cell, 0.9 m (3') cable.