

MINIATURE INDUSTRIAL COMPRESSION LOAD CELL

STANDARD AND METRIC MODELS

Compression

0-25 lb to 0-50,000 lb
0-100 N to 0-200,000 N

LCGD/LCMGD Series



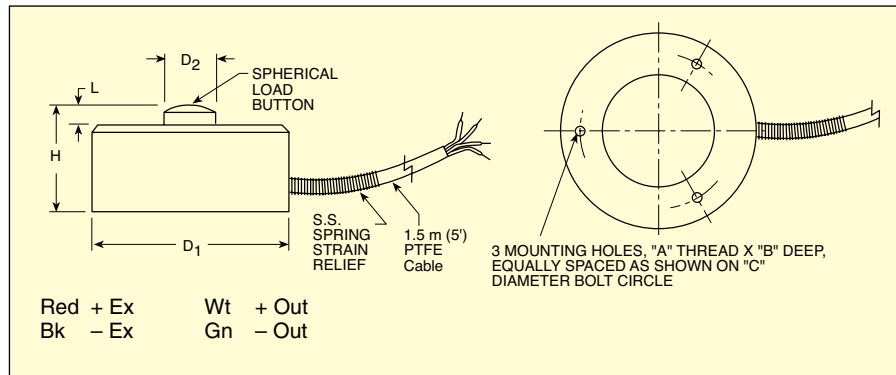
LCGD-100



LCGD-2K

Shown actual size.

- ✓ 5-Point NIST Traceable Calibration
- ✓ Stainless Steel
- ✓ High Accuracy
- ✓ Low Profile
- ✓ Miniature Size



The LCGD/LCMGD Series miniature low-profile load cells are compression load cells with excellent long-term stability. An all stainless steel construction ensures reliability in severe industrial environments. These cells are designed to be mounted on a flat surface, and a load button is integral to their basic design.

SPECIFICATIONS

Excitation: 10 Vdc
Output: 2 mV/V nominal
5-Point Calibration: 0%, 50% 100%, 50%, 0%
Linearity: ±0.25% FSO
Hysteresis: ±0.20% FSO
Repeatability: ±0.10% FSO
Zero Balance: ±2% FSO
Operating Temp Range: -54 to 121°C (-65 to 250°F)
Compensated Temp Range: 16 to 71°C (60 to 160°F)
Thermal Effects:
Span: ±0.018% rdg/°C
Zero: ±0.009% FSO/°C

Safe Overload: 150% of capacity
Ultimate Overload: 300% of capacity
Bridge Resistance: 350 Ω minimum
Deflection: 0.076 mm (0.003")

Construction: Stainless steel
Electrical Connection: 1.5 m (5') shielded cable
Protection Class: IP65

STANDARD Dimensions: mm (inch)

| CAPACITY | D1 | D2 | H | L | A | B | C |
|---------------------|--------------|---------------|--------------|---------------|-----------|---------------|----------------|
| 25 to 100 lb | 25 (1.00) | 5.3 (0.21) | 16 (0.62) | 1.3 (0.05) | #4-40 UNC | 4.8 (0.19) | 19 (0.75) |
| 250 to 2000 lb | 32 (1.25) | 8.1 (0.32) | 10 (0.39) | 1.8 (0.07) | #6-32 UNC | 6.4 (0.25) | 25.4 (1.00) |
| 5000 to 10,000 lb | 38 (1.50) | 11 (0.43) | 16 (0.63) | 2.0 (0.08) | #6-32 UNC | 6.4 (0.25) | 31.8 (1.25) |
| 15,000 to 30,000 lb | 51 (2.00) | 15 (0.60) | 25 (1.00) | 3.0 (0.12) | #6-32 UNC | 6.4 (0.25) | 41.3 (1.63) |
| 50,000 lb | 76 (3.00) | 20 (0.78) | 38 (1.50) | 4.6 (0.18) | #6-32 UNC | 6.4 (0.25) | 60.3 (2.38) |

METRIC Dimensions: mm (inch)

| CAPACITY (N) | D1 | D2 | H | L | A | B | C |
|-------------------|--------------|---------------|--------------|---------------|----------|----------------|----------------|
| 100 to 500 | 25 (1.00) | 5.3 (0.21) | 16 (0.62) | 1.3 (0.05) | M4 x 0.7 | 4.8 (0.19) | 19.1 (0.75) |
| 1000 to 10,000 | 32 (1.25) | 8.1 (0.32) | 10 (0.39) | 1.8 (0.07) | M4 x 0.7 | 6.4 (0.25) | 25.4 (1.00) |
| 20,000 to 50,000 | 38 (1.50) | 11 (0.43) | 16 (0.63) | 2.0 (0.08) | M4 x 0.7 | 6.4 (0.25) | 31.8 (1.25) |
| 60,000 to 120,000 | 51 (2.00) | 15 (0.60) | 25 (1.00) | 3.0 (0.12) | M4 x 0.7 | 6.4 (0.25) | 41.3 (1.63) |
| 200,000 | 76 (3.00) | 20 (0.78) | 38 (1.50) | 4.6 (0.18) | M4 x 0.7 | 6.35 (0.25) | 60.3 (2.38) |

Shown actual size.



LCMGD-100

LCMGD-2K

Comes complete with 5-point NIST-traceable calibration and 59 kΩ shunt data.

* Compatible meters available online.

** 4-digit meter.

Ordering Examples: LCGD-5K, 5000 lb capacity load cell.

LCGD-25, 25 lb capacity load cell.

LCMGD-10KN, 10,000 Newton capacity load cell.

LCMGD-500N, 500 Newton capacity load cell.

STANDARD MODELS

| To Order | | | |
|----------|---------|-----------|---------------------------|
| CAPACITY | | MODEL NO. | COMPATIBLE METERS* |
| lb | N | | |
| 25 | 111 | LCGD-25 | DPiS, DP41-S, DP25B-S |
| 50 | 222 | LCGD-50 | DPiS, DP41-S, DP25B-S |
| 100 | 445 | LCGD-100 | DPiS, DP41-S, DP25B-S |
| 250 | 1112 | LCGD-250 | DPiS, DP41-S, DP25B-S |
| 500 | 2224 | LCGD-500 | DPiS, DP41-S, DP25B-S |
| 1000 | 4448 | LCGD-1K | DPiS, DP41-S, DP25B-S |
| 2000 | 8897 | LCGD-2K | DPiS, DP41-S, DP25B-S |
| 5000 | 22,242 | LCGD-5K | DPiS, DP41-S, DP25B-S |
| 10,000 | 44,484 | LCGD-10K | DPiS, DP41-S, DP25B-S |
| 15,000 | 66,726 | LCGD-15K | DPiS**, DP41-S, DP25B-S** |
| 20,000 | 88,968 | LCGD-20K | DPiS**, DP41-S, DP25B-S** |
| 30,000 | 133,452 | LCGD-30K | DPiS**, DP41-S, DP25B-S** |
| 50,000 | 222,420 | LCGD-50K | DPiS**, DP41-S, DP25B-S** |

METRIC MODELS

| CAPACITY | | MODEL NO. | COMPATIBLE METERS* |
|----------|--------|-------------|---------------------------|
| N | lb | | |
| 100 | 22.5 | LCMGD-100N | DPiS, DP41-S, DP25B-S |
| 200 | 45 | LCMGD-200N | DPiS, DP41-S, DP25B-S |
| 500 | 112 | LCMGD-500N | DPiS, DP41-S, DP25B-S |
| 1000 | 225 | LCMGD-1KN | DPiS, DP41-S, DP25B-S |
| 2000 | 450 | LCMGD-2KN | DPiS, DP41-S, DP25B-S |
| 5000 | 1124 | LCMGD-5KN | DPiS, DP41-S, DP25B-S |
| 10,000 | 2248 | LCMGD-10KN | DPiS**, DP41-S, DP25B-S** |
| 20,000 | 4496 | LCMGD-20KN | DPiS**, DP41-S, DP25B-S** |
| 50,000 | 11,240 | LCMGD-50KN | DPiS**, DP41-S, DP25B-S** |
| 60,000 | 13,488 | LCMGD-60KN | DPiS**, DP41-S, DP25B-S** |
| 80,000 | 17,984 | LCMGD-80KN | DPiS**, DP41-S, DP25B-S** |
| 120,000 | 26,976 | LCMGD-120KN | DPiS**, DP41-S, DP25B-S** |
| 200,000 | 44,960 | LCMGD-200KN | DPiS**, DP41-S, DP25B-S** |

COMPATIBLE METERS

DP25B/DP41-B



- ✓ mV, V, mA, Strain Gage Thermocouple, RTD Inputs
- ✓ Full Process Unit Scaling
- ✓ Built-In Transducer Power



DP41-B, shown smaller than actual size, see omega.com/dp41b

MONOGRAM SERIES

PATENTED



DP25B-E, shown smaller than actual size, see omega.com/dp25b

To Order

| MODEL NO. | DESCRIPTION |
|-----------|---|
| DP25B-E | 4-digit voltage/current input meter with excitation |
| DP25B-S | 4-digit mV input meter with excitation |
| DP41-B | 6-digit 1/8 DIN universal input meter with excitation |

Comes complete with operator's manual.

Ordering Examples: DP25B-E, voltage/current input meter for use with 0 to 5 V, 0 to 10 V, 4 to 20 mA output transducers.

DP25B-S, mV input meter for use with mV/V output transducers, DP41-B, universal input meter for use with all standard transducer outputs.

LOAD CELLS
F