

ECONOMICAL MINIATURE TENSION OR COMPRESSION LOAD CELLS

19 TO 25 mm DIAMETER

**Tension/Compression
Calibrated in Tension
0-10 to 0-500 N**

LCMFL Series



Small and capable of highly accurate readings, the LCMFL subminiature load cells are suitable for precision industrial applications. They are all stainless steel, measure either tension or compression loads, and have male thread studs for load attachment. The exclusive internal design provides superior long-term stability and minimizes the effects of small off-axis loads.

SPECIFICATIONS

Excitation:

10 to 50 N: 5 Vdc
 ≥100 N: 10 Vdc

Output:

10 N: 1.0 mV/V (nom.)
 20 to 500 N: 2 mV/V (nom.)

Accuracy (Linearity and Hysteresis Combined): ±0.50% FSO

Repeatability: ±0.20% FSO

5-Point Calibration (in Tension):
 0%, 50%, 100%, 50%, 0%

Zero Balance: ±2% FSO

Operating Temp Range:

-53 to 121°C (-65 to 250°F)

Compensated Temp Range:

16 to 71°C (60 to 160°F)

Thermal Effects:

Span: ≥1 kg: ±0.009% rdg/°C

Zero: ≥1 kg: 0.009% FSO/°C

Deflection FS: 0.03 to 0.08 mm

(0.001 to 0.003")

Safe Overload: 150% of capacity

Ultimate Overload: 300% of capacity

Bridge Resistance: 350 Ω minimum

Construction: Stainless steel

Electrical Connection: 1.5 m (5')

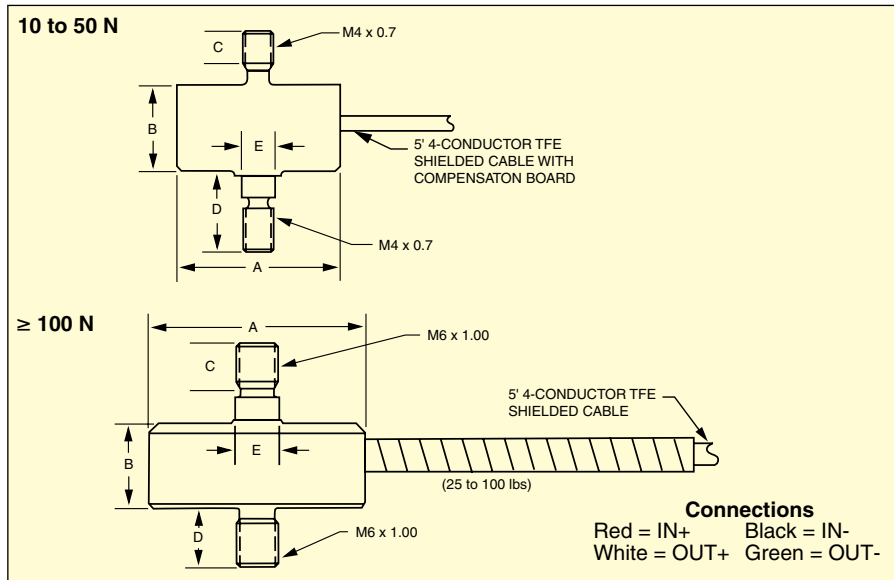
4-conductor, shielded TFE cable

Protection Rating: IP54

LCMFL-50N,
shown larger than
actual size.



LCMFL-500N,
shown larger than
actual size.



Dimensions: mm (inch)

CAPACITY	A	B	C	D	E
10 to 50 N	19.1 (0.75)	10.1 (0.40)	6.4 (0.25)	9.7 (0.38)	3.8 (0.15)
≥100 N	25.4 (1.00)	9.9 (0.39)	9.7 (0.38)	7.0 (0.26)	5.0 (0.20)

To Order			
CAPACITY		MODEL NO.	COMPATIBLE METERS*
N	lb		
10	2.2	LCMFL-10N	DP25B-S, DP41-S, DPiS
20	4.5	LCMFL-20N	DP25B-S, DP41-S, DPiS
50	11	LCMFL-50N	DP25B-S, DP41-S, DPiS
100	22	LCMFL-100N	DP25B-S, DP41-S, DPiS
200	45	LCMFL-200N	DP25B-S, DP41-S, DPiS
500	112	LCMFL-500N	DP25B-S, DP41-S, DPiS

Comes with 5-point NIST-traceable calibration.

* DPiS meter suitable for one direction measurement only.

Ordering Examples: LCMFL-10N, 10 N load cell, MREC-M4F, matching rod end.

LCMFL-200N, 200 N load cell, MREC-M6F, matching rod end.

ACCESSORIES

MODEL NO.	DESCRIPTION
MREC-M4F	M4 x 0.7 female-thread rod end
MREC-M6F	M6 x 1.00 female-thread rod end

METRIC LOAD CELLS