



## General Purpose 1/2 MNPT pH Sensor

### PHE-7357-10



#### Applications

- ✓ Potable Water Supplies
- ✓ Cooling Towers
- ✓ Fresh and Salt Water Aquariums
- ✓ Secondary Treated Waste Water

The PHE-7357 sensor is designed for use in most water and waste water applications. The large reservoir of reference electrolyte, coupled with the non-fouling nature of the Porous PTFE liquid junction, assures a long life in general service.

The sensor body reduces the risk of accidental breakage during installation and maintenance by the inclusion of protective lobes around the sensing element. Also available for ORP measurement.

Use of the high temperature version is recommended where service temperatures exceed 80°C (176°F).

PHE-5551 is a double-junction construction with solution ground in a robust PPS housing, being highly resistant to electrode poisoning solutions. Standard on these electrodes is a 110°C (230°F) rating.

#### Specifications

**pH Range:** 0 to 14 pH

**Temperature Range:**

0 to 80°C (32 to 176°F) (standard)

0 to 110°C (32 to 230°F) (high temperature)

**Pressure Range:** 0 to 100 psig

**Accuracy:** ±0.1% over full range

**Impedance:** 80 MΩ (standard version)

150 MΩ (high temperature version)

**Reference Cell:**

Single junction, KCl/AgCl

**Reference Junction:** Porous PTFE

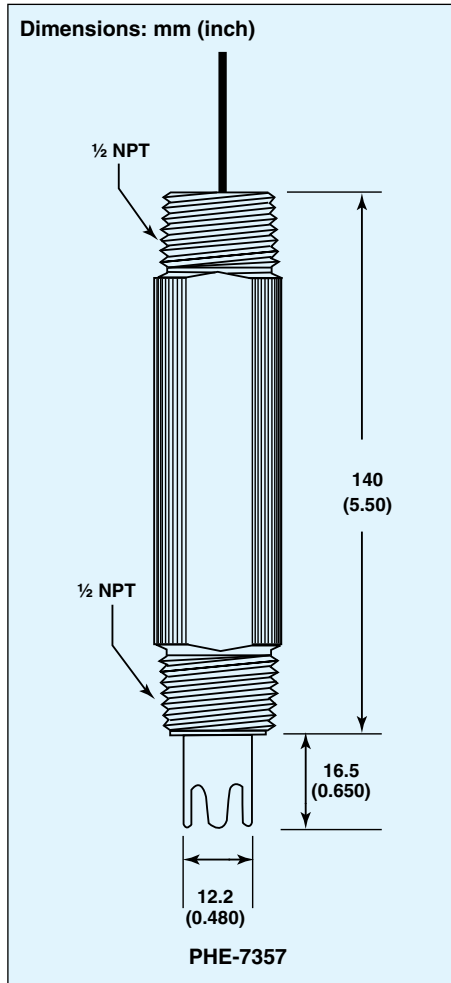
**Wetted Materials:**

PPS, PTFE, glass, 316 SS

**Response Time:**

95% of reading in 10 seconds

**Drift:** Less than 2 mV per week



#### To Order

Model No.	Description
PHE-7357-10-(*)	General purpose pH sensor
PHE-5551-10-(*)	General purpose pH sensor with solution ground
ORE-7357-10	ORP probe for clean water
ORE-5551-10	ORP probe for clean water with solution ground

Comes complete with 3 m (10') cable and operator's manual. Non standard cable lengths available for additional cost.

\* Specify ATC sensor for PHE-5551-10-(\*) only: "-PT100" for 100 Ω Pt RTD or "-PT1K" for 1000 Ω Pt RTD, for additional cost.

**Ordering Examples:** PHE-5551-10-PT1K, general purpose sensor with 1/2 MNPT pH sensor with 1 KΩ Pt RTD ATC and 3 m (10') cable.

ORE-5551-10, ORP electrode.

#### Option Code (For Additional Cost)

Order Suffix	Description
-HF	HF/Fluoride resistant
-HT	High temperature reference cell, standard on PHE/ORE-5551