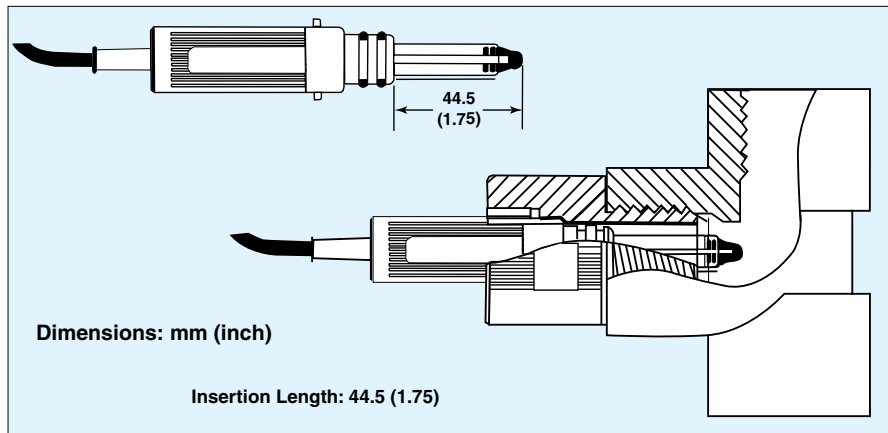




Bayonet Twist-Lock pH Sensor

PHE-5555-10



The PHE-5555-10 pH electrode allows for quick insertion using our simple “twist and lock” adaptor, as shown in the diagram above. This combination electrode incorporates pH, reference and solution ground in a robust PPS housing. Double junction reference construction makes the PHE-5555 highly resistant to electrode poisoning.

Applications

- ✓ Industrial Use
- ✓ Severe Conditions

Specifications

pH Range: 0 to 14 pH
Temperature Range: -5 to 125°C (23 to 257°F)
Pressure Range: 100 psig @ 25°C
Accuracy: ±0.1% over full range
Impedance: 150 MΩ @ 25°C

Reference Cell: Double Junction
Zero Potential: 7.0 pH ±0.2 pH
Reference Junction: Porous PTFE
Wetted Materials: PPS, glass, PTFE, 316 SS, FKM
Response Time: 90% of reading in 5 seconds
Drift: Less than 2 mV per week

To Order	
Model No.	Description
PHE-5555-10	Bayonet pH electrode
PHE-5555-10(*)	Bayonet pH electrode with ATC

* Insert option code from table below.

Option Code (For Additional Cost)

Order Suffix	Description
-HF	HF/fluoride resistant
-ORP	Redox measurement

Accessory

Model No.	Description
PHEH-55	¾" adaptor
PHEH-56	1" adaptor

Comes complete with 3 m (10') cable and operator's manual. Non standard cable lengths available for additional cost

Specify ATC sensor: “-PT100” for 100 Ω Pt RTD or “-PT1K” for 1000 Ω Pt RTD, for additional cost.

Ordering Example: PHE-5555-10-PT100, bayonet pH sensor with 3 m (10') cable and 1 KΩ Pt RTD ATC.



PHE-5555-10 shown larger than actual size.