



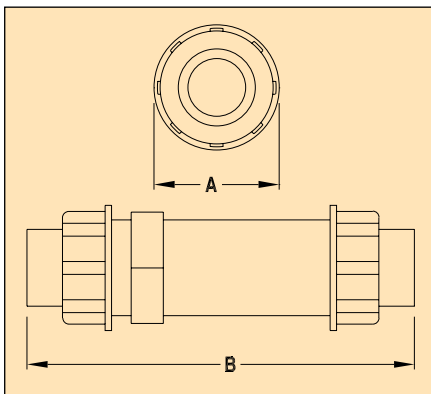
CLEAR IN-LINE FLOWMETERS

FLC Series



- ✓ Mounts in Any Direction
- ✓ Compact and Rugged
- ✓ Allows Visual Fluid Inspection
- ✓ Economical Design
- ✓ No Straight Pipe Required

The FLC Series is the economical way to monitor municipal water flows, verify pump outlets and monitor fluid conditions. Piston design allows for horizontal, vertical or inverted installation and is a proven method for accurate, dependable flow rate indication. The compact design measures less than 203 mm (8") in length and 62 mm (2 7/16") in diameter. Designed with a transparent body, the FLC series allows the user to monitor fluid conditions and diagnose problems at a glance. High-contrast scale/indicator provides an easy to read measurement in both liters per minute and gallons per minute. The unit is available in multiple NPT port sizes to reduce the amount of adaptors required for installation.

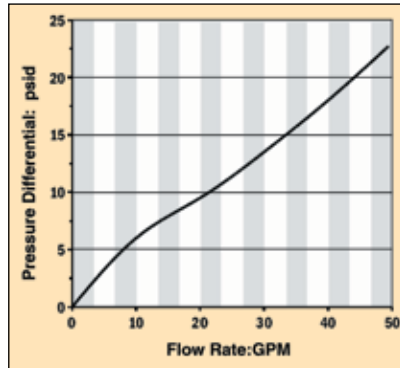


Mechanical Size Codes

DIM	1/2" Female mm (inch)	3/4" Female mm (inch)	1" Female mm (inch)
A	62 (2 7/16)	62 (2 7/16)	62 (2 7/16)
B	182 (7 5/32)	182 (7 5/32)	182 (7 5/32)
Port Size	1/2 FNPT SAE #8	3/4 FNPT SAE #12	1 FNPT SAE #16

SPECIFICATIONS

- Accuracy:** ±5% FS
- Repeatability:** ±1% FS
- Materials of Construction:**
 - End Ports:** Polysulfone (oil meters), Brass (water meters)
 - Seals:** Buna
 - Spring:** Stainless Steel
 - Indicator:** Polysulfone
 - Casing:** Polycarbonate (water meters), polysulfone (oil meters)
- Turn Down Ratio:** 10:1
- Maximum Pressure:** 22.4 bar (325 psig)
- Maximum Temperatures:**
 - Water Meters:** 93°C (200°F)
 - Oil Meters:** 121°C (250°F)



FLC-W11 shown smaller than actual size.

FLC-H11 shown smaller than actual size.

To Order Visit omega.com/flc_series for Pricing and Details

Model No.	Range: LPM (GPM)	Description
FLC-W11	1.9 to 19 (0.5 to 5)	Water flow meter with polycarbonate body, 1/2 NPT brass connection
FLC-W12	3 to 37 (1 to 10)	Water flow meter with polycarbonate body, 1/2 NPT brass connection
FLC-W13	3 to 37 (1 to 10)	Water flow meter with polycarbonate body, 3/4 NPT brass connection
FLC-W14	5 to 57 (1.5 to 15)	Water flow meter with polycarbonate body, 3/4 NPT brass connection
FLC-W15	5 to 57 (1.5 to 15)	Water flow meter with polycarbonate body, 1 NPT brass connection
FLC-W16	11 to 114 (3 to 30)	Water meter with polycarbonate body, 1 NPT brass connection
FLC-H11	1.9 to 19 (0.5 to 5)	Hydraulic oil meter with polysulfone body and 1/2 NPT end connection
FLC-H12	3 to 37 (1 to 10)	Hydraulic oil meter with polysulfone body and 1/2 NPT end connection
FLC-H13	3 to 37 (1 to 10)	Hydraulic oil meter with polysulfone body and 3/4 NPT end connection
FLC-H14	5 to 57 (1.5 to 15)	Hydraulic oil meter with polysulfone body and 3/4 NPT end connection
FLC-H15	5 to 57 (1.5 to 15)	Hydraulic oil meter with polysulfone body and 1 NPT end connection
FLC-H16	11 to 114 (3 to 30)	Hydraulic oil meter with polysulfone body and 1 NPT end connection

Comes complete with operator's manual.

For units with BSP threads add "-BSP" to model number, no additional cost.

Ordering Examples: FLC-W14, 3/4 NPT water flow meter for 5 to 57 LPM (1.5 to 15 GPM), with a polycarbonate body.

FLC-H12, 1/2 NPT hydraulic oil meter 3 to 37 LPM (1 to 10 GPM) with a polysulfone body.