

ECONOMICAL HIGH ACCURACY VARIABLE AREA FLOW METER

**CAPACITIES: 0.078 to 6.28 GPM for Water,
0.317 to 25.76 SCFM for Air**

For correlation
with other fluids,
visit us online

FL-1500A Series



- ✓ ±2% Full Scale Accuracy
- ✓ ±½% Full Scale Repeatability
- ✓ Glass and Stainless Steel Construction for Broad Media Compatibility
- ✓ Correlation Equations for Use with Many Fluids
- ✓ Side Plate Construction
- ✓ 250 mm (9.85") Scale
- ✓ 10 to 100% of Flow Scale
- ✓ Shielded for Use in Pressurized Systems
- ✓ Vertical Mount Only

OMEGA® FL-1500 flowmeters combine 2% accuracy and side plate construction at an economical price. These flowmeters feature glass and 316 stainless steel construction, with aluminum side plates and acrylic plastic shields. The float design provides high immunity to viscosity variation, and the NPT thread connections provide easy installation into industrial and laboratory systems.

SPECIFICATIONS

Scale: Fused on metering tube, 10 to 100% of flow scale

Metering Tube: Borosilicate glass

Float and Float Stops:

316 Stainless Steel

End Fittings:

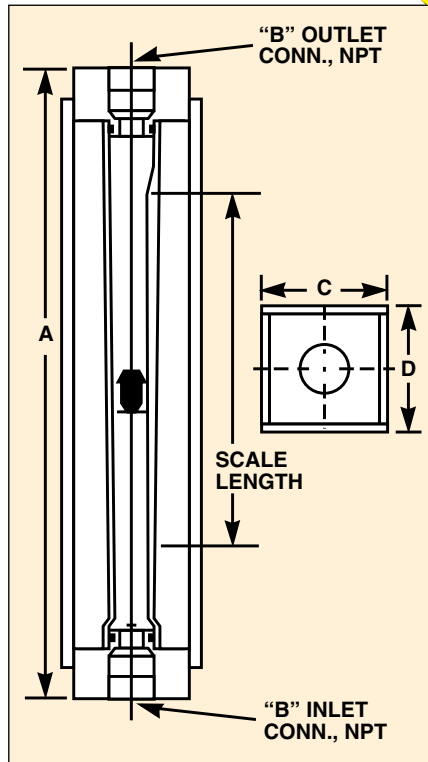
Standard: 316 Stainless Steel

Optional: Brass

O-Rings: FKM-A

Structural:

Side Plate: Aluminum shields; acrylic plastic shields, front and back



Maximum Pressure:

FL-1501 and FL-1502: 20.68 bar (300 psig)

FL-1503: 12.06 bar (175 psig)

FL-1504: 6.9 bar (100 psig)

Maximum Temperature: 121°C (250°F)

Accuracy: ±2% full scale

Repeatability: ±0.5% full scale

FL-1501A-B, shown with optional brass end fittings (316 SS standard), smaller than actual size.

Dimensions: mm (inch)

Model No.	A	B, NPT	C	D
FL-1501A, 1502A	430 (16.94)	½	60 (2.38)	64 (2.5)
FL-1503A	430 (16.94)	¾	60 (2.38)	64 (2.5)
FL-1504A	432 (17)	1	60 (2.38)	64 (2.5)

To Order

Model No.	Range Air (SCFM)	Range Water (GPM)	Pressure Drop (H ₂ O)
FL-1501A	0.317 to 3.17	0.078 to 0.78	4"
FL-1502A	0.588 to 5.88	0.145 to 1.45	11"
FL-1503A	1.045 to 10.45	0.253 to 2.53	7"
FL-1504A	2.576 to 25.76	0.628 to 6.28	13"

Comes complete with operator's manual.

For models with brass end fittings, add suffix "-B" to model number, consult flow engineering.

Ordering Examples: FL-1503A-B, variable area flow meter with brass end fitting, 1.045 to 10.45 SCFM, 0.253 to 2.53 GPM.

FL-1501A, 316 SS end fitting, 0.317 to 3.17 SCFM, 0.078 to 0.78 GPM.

