

# POSITIVE DISPLACEMENT FLOW METER FOR INDUSTRIAL PROCESSES



## FPD3200 Series



- ✓ Stainless Steel Body
- ✓ FEP Seals
- ✓ PPS Rotors
- ✓ Temperatures up to 80°C (176°F)
- ✓ NPT or BSP Threads
- ✓ DIN, JIS or ANSI Connection (Available on 1" and Larger Sizes)

The FPD3200 Series positive displacement flow meters are affordable and accurate. One primary feature is the ability to maintain consistent accuracy despite changing viscosity conditions. The meter's solid construction and excellent dynamic response are well suited to measurement for many industrial as well as other non-abrasive lubricating fluids. Since there is no need for straight run piping upstream or downstream of the flow meter, the FPD3200 flow meters are simple to use and to install. The meter has good resolution and high accuracy at low flow rates.

### SPECIFICATIONS

**Accuracy:** ±0.5% of reading

**Repeatability:** ±0.03%

**Fitting Type:**

NPT: Female

BSP: "-BSP" option

DIN: "-DIN" option

JIS: "-JIS" option

ANSI: "-ANSI" option

**Hall-Effect Sensor Power:** 4.5 to 24 Vdc (7.5 mA)

**Reed Sensor Power:** 30 Vdc (500 mA)

**Output Options:**

**Pulse Output:** Standard

**4 to 20 mA Transmitter:**

"-D-A" option; no output on battery powered "-D" model

**Display:** 7-digit/12 mm (0.47") upper, 7-digit/7 mm (0.28") lower all

"-D" options

**Rate:** User defined

**Total:** Resettable

**Accumulated-Total:** Non-resettable

**Minimum Viscosity:** 1 cPs

**Maximum Viscosity:** 1000 cPs standard

**Maximum Pressure:** See chart

on page 3

**Strainer Size:** See chart on next page

**Mounting:** Shafts must be in a horizontal plane

**Electrical Connections:** 2 x 12 mm (0.08 x 0.47"), fittings included

"-D-A" option  
**Cable Length:** 1 m (3') stripped ends, non-display models



FPD3206-D-A

Both models shown smaller than actual size.



FPD3202

**Mounting:** Pipe

**Power:** 4 to 20 mA, "-D-A" models 18 to 30 Vdc display, "-D" models 3 Vdc lithium battery (included)

**Liquid Temperature:** -40 to 80°C (-40 to 176°F)

**Materials**

**Body:** Stainless steel

**Enclosure:** Polypropylene

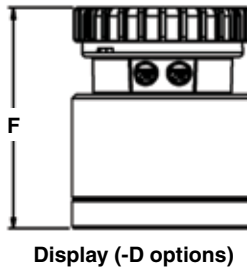
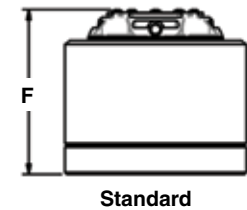
**Seals:** FEP

**Rotors:** PPS

**Fasteners:** Stainless steel

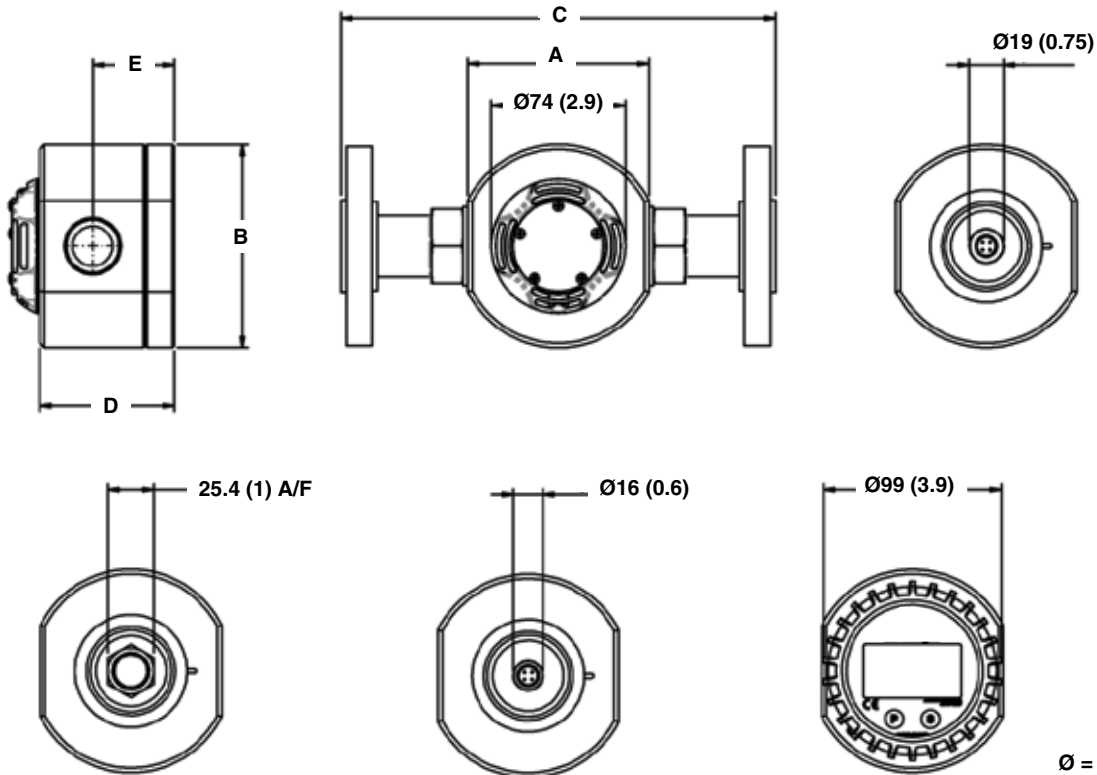
**Cable Insulation:** PVC

**Enclosure:** NEMA 6 (IP67)



### Pulsar and Display Height, F

Model No.	Dimensions: mm (inch)		Recommended Strainer
	Standard	-D options	
FPD3202	59 (2.3)	90 (3.5)	200 mesh (74 um)
FPD3203	59 (2.3)	90 (3.5)	200 mesh (74 um)
FPD3204	66 (2.6)	97 (3.8)	60 mesh (250 um)
FPD3234	79 (3.1)	110 (4.3)	60 mesh (250 um)
FPD3205	92 (3.6)	123 (4.8)	60 mesh (250 um)
FPD3206	120 (4.7)	151 (5.9)	60 mesh (250 um)
FPD3207	141 (5.5)	172 (6.7)	60 mesh (250 um)

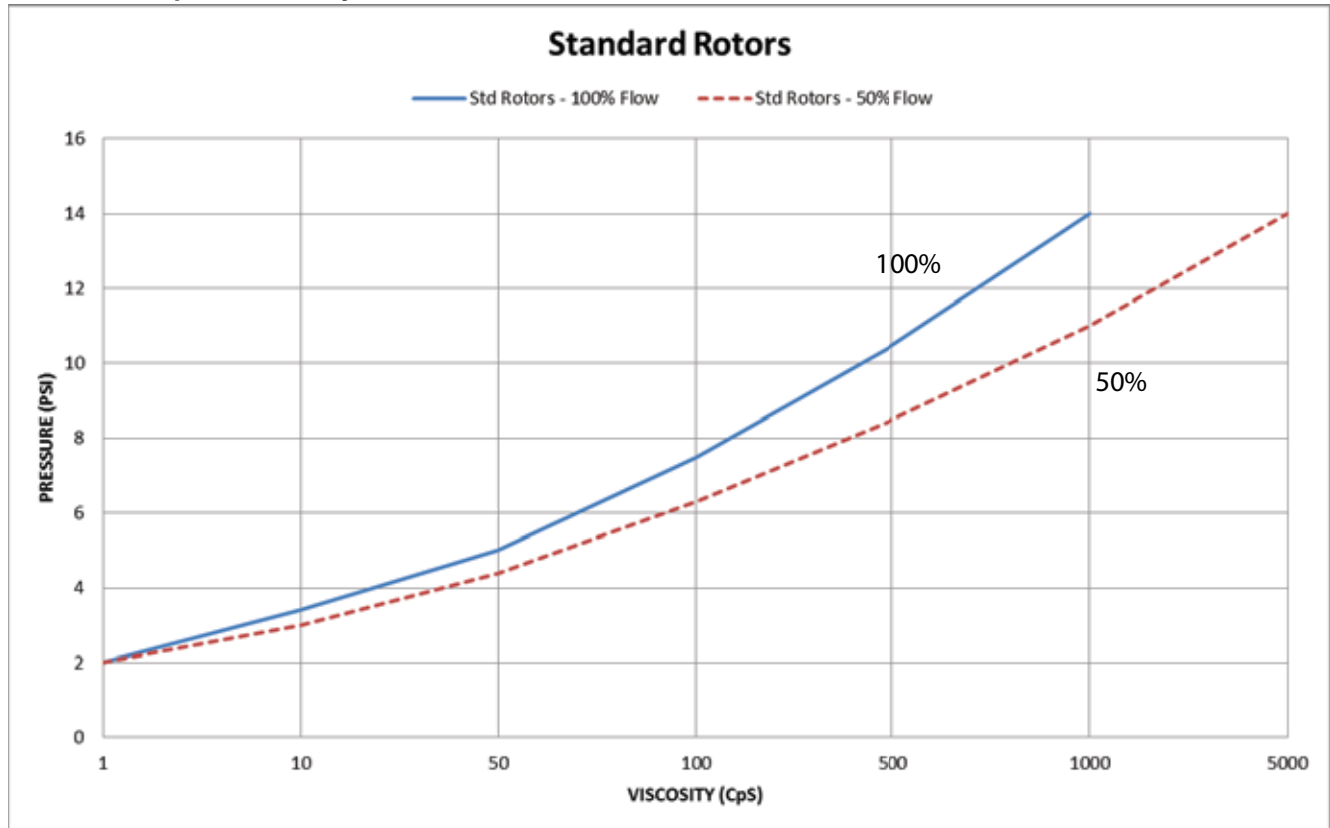


Ø = Diameter

Model No.	Meter and Flange, Dimensions: mm (inch)					
	Port Size	A	B	C*	D	E
FPD3202	¼"	71 (2.8)	74 (2.9)	N/A	42 (1.7)	25 (1)
FPD3203	¼"	71 (2.8)	74 (2.9)	N/A	42 (1.7)	24 (0.9)
FPD3204	½"	81 (3.2)	87 (3.4)	N/A	49 (1.9)	28 (1.1)
FPD3234	¾"	100 (3.9)	112 (4.4)	N/A	62 (2.4)	37 (1.5)
FPD3205	1"	100 (3.9)	112 (4.4)	240 (9.4)	75 (3)	45 (1.8)
FPD3206	1½"	120 (4.7)	137 (5.4)	240 (9.4)	103 (4.1)	61 (2.4)
FPD3207	2"	140 (5.5)	163 (6.4)	264 (10.4)	124 (4.9)	72 (2.8)

\* Flanges.

## Pressure Drop vs. Viscosity



<b>To Order</b>				
Model No.	Port Size	Flow Range		Maximum Pressure psi (Kpa)
		< 5 cPs	> 5 cPs	
<b>FPD3202</b>	¼"	2 to 100 LPH (0.5 to 26 GPH)	0.5 to 100 LPH (1.3 to 26 GPH)	1000 (6895)
<b>FPD3203</b>	¼"	25 to 500 LPH (6.6 to 132 GPH)	15 to 500 LPH (4 to 132 GPH)	1001 (6895)
<b>FPD3204</b>	½"	3 to 25 LPM (0.8 to 6.6 GPM)	2 to 30 LPM (0.5 to 8 GPM)	2000 (13790)
<b>FPD3234</b>	¾"	8 to 70 LPM (2 to 18.5 GPM)	3 to 80 LPM (0.8 to 21 GPM)	2001 (13790)
<b>FPD3205</b>	1"	10 to 100 LPM (2.6 to 26 GPM)	6 to 120 LPM (1.6 to 32 GPM)	2002 (13790)
<b>FPD3206</b>	1½"	15 to 235 LPM (4 to 62 GPM)	10 to 250 LPM (2.6 to 66 GPM)	1200 (8274)
<b>FPD3207</b>	2"	15 to 500 LPM (4 to 130 GPM)	16 to 500 LPM (4 to 130 GPM)	1001 (6895)

Comes complete with lithium battery and operator's manual.

For units with a battery powered digital display add "**-D**" to the model number, for an additional charge.

For units with a DC powered digital display and 4 to 20 mA output add "**-D-A**" to the model number, for an additional charge.

For units with BSP connections add "**-BSP**" to the model number, no additional charge.

For units with DIN flanges add "**-DIN**" to the model number, for an additional charge (1" and larger only).

For units with JIS flanges add "**-JIS**" to the model number, for an additional charge (1" and larger only).

For units with ANSI flanges add "**-ANSI**" to the model number, for an additional charge (1" and larger only).