

5 Vdc OUTPUT LONG STROKE OMEGA™ DISPLACEMENT TRANSDUCERS

LD620 Series



- Less Than 0.2% Linearity
- 5 to 300 mm Travel Lengths Available
- Rugged 19 mm Dia. Stainless Steel Body
- Rigid Stainless Steel Carriers
- Guided Core with Removable Spring
- IP67 Environmental Rating
- Large Bore-to-Core Clearance

The LD620 DC output displacement transducers have improved IP67-rated sealing, coupled with new polymer guides with rigid carriers. These transducers are accurate and reliable, especially in wet and corrosive conditions.

Output options are either ± 5 Vdc (LD620) or 0 to 10 Vdc (LD621). An unusually large bore-to-core clearance is maintained throughout the range. This makes installation easier and helps prevent misalignment.

SPECIFICATIONS

Linearity: <0.2% FSO

Excitation Voltage: 10 to 30 Vdc @ 25 mA maximum

Output: LD620, ± 5 Vdc; LD621, 0 to 10 Vdc

Output Ripple: 0.02% FSO

Bandwidth: 500 Hz (-3 dB)

Storage Temp: -20 to 85°C (-4 to 185°F)

Operating Temp: 0 to 65°C (32 to 149°F)

Sealing: IP67

Vibration (Sinusoidal Frequency):

10 to 50 Hz: 1 to 10 g rms linear amplitude

50 Hz to 1 kHz: 10 g rms amplitude

Shock:

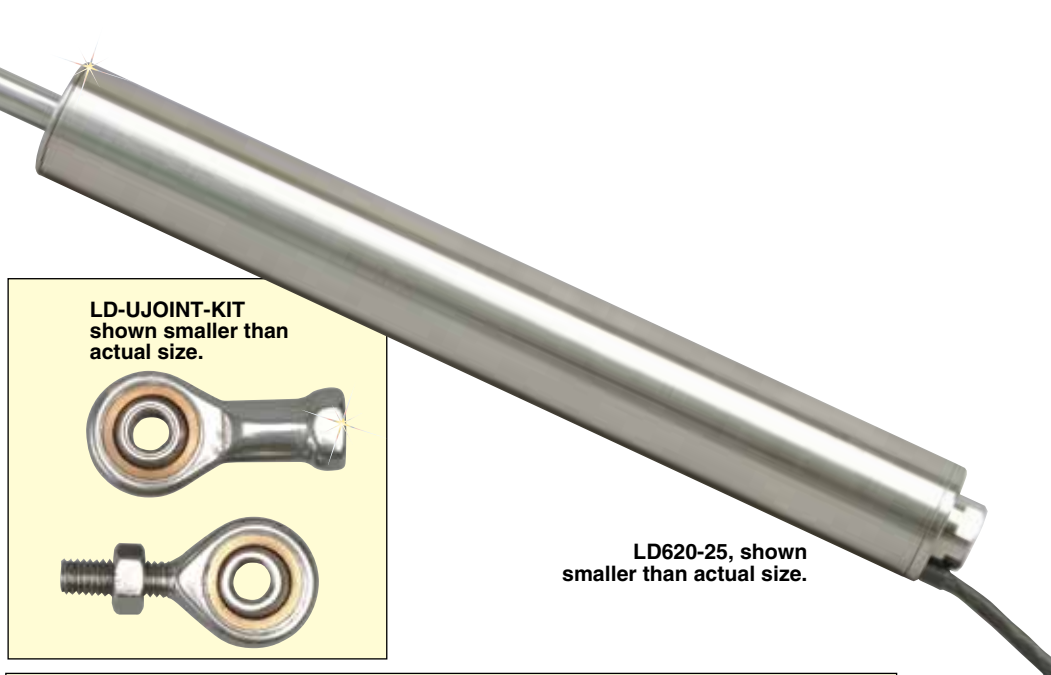
Drop Testing: 1 m (3') onto hard surface

Topple Testing: 10 times each end onto hard surface

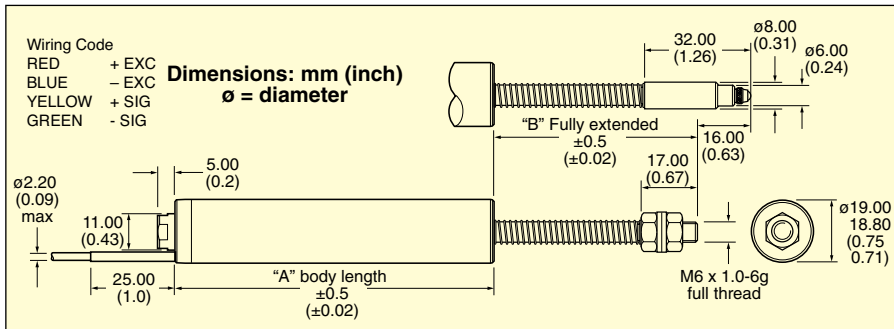
Case Material: 300 SS

Cable: PFA, 2 m (6') long

Core Material: Nickel-iron



LD620-25, shown smaller than actual size.



To Order

MODEL NO. ± 5 Vdc	RANGE mm (inch)	MODEL NO. 0 to 10 Vdc	RANGE mm (inch)	"A" DIM mm (inch)	"B" DIM mm (inch)
LD620-2.5	± 2.5 (± 0.1)	LD621-5	0 to 5 (0 to 0.2)	94.0 (3.7)	35.3 (1.4)
LD620-5	± 5 (± 0.2)	LD621-10	0 to 10 (0 to 0.4)	113.5 (4.5)	46.3 (1.8)
LD620-7.5	± 7.5 (± 0.3)	LD621-15	0 to 15 (0 to 0.6)	120.7 (4.8)	50.3 (2.0)
LD620-10	± 10 (± 0.4)	LD621-20	0 to 20 (0 to 0.8)	135.0 (5.3)	61.3 (2.4)
LD620-15	± 15 (± 0.6)	LD621-30	0 to 30 (0 to 1.2)	149.4 (5.9)	79.3 (3.1)
LD620-25	± 25 (± 1.0)	LD621-50	0 to 50 (0 to 2.0)	170.9 (6.7)	102.3 (4.0)
LD620-50	± 50 (± 2.0)	LD621-100	0 to 100 (0 to 3.9)	228.5 (9.0)	160.3 (6.3)
LD620-75	± 75 (± 3.0)	LD621-150	0 to 150 (0 to 5.9)	278.7 (11.0)	231.3 (9.1)
LD620-100	± 100 (± 3.9)	—	—	336.2 (13.2)	291.2 (11.5)
LD620-150	± 150 (± 5.9)	—	—	450.9 (17.8)	457.3 (18.0)
—	—	LD621-200	0 to 200 (7.9)	336.2 (13.2)	291.2 (11.5)
—	—	LD621-300	0 to 300 (11.8)	450.9 (17.8)	457.3 (18.0)

Ordering Example: LD620-2.5, DC displacement sensor with range of ± 2.5 mm (± 0.1 in) with ± 5 Vdc output.

ACCESSORIES

MODEL NO.	DESCRIPTION
LD-TIP	Tip adaptor/ball tip
LD-UJOINT-KIT	U-joint retro fit kit